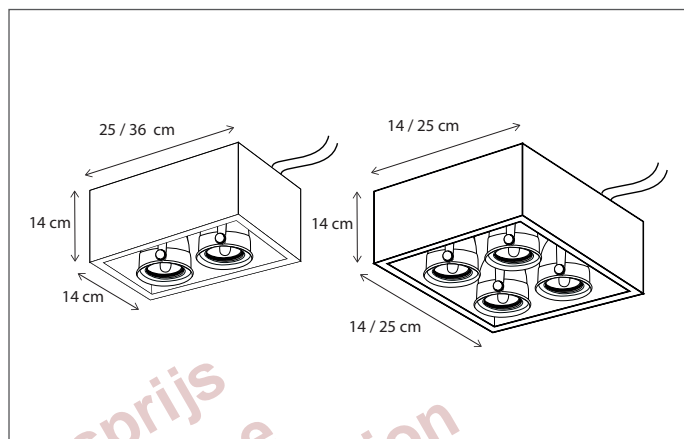


CEILING | Q-BRI COMETE

2 circuits that can be switched on/off seperately, enabling 3 light effects:

1. Indirect illumination via an integrated LED strip
2. Direct (functional) light created by comete spots (Lamps not included, consult light source guide for our advice)
3. Combination of above



168

CODE	TYPE	FINISH	WATT	VOLT	FITTING
QCO0L1U14	Q-Bri comète build up 1L - 14 x 14 cm	Bronze	8 + 6	230	BA15d
QCO0L2U25	Q-Bri comète build up 2L - 25 x 14 cm	Bronze	2 x 8 + 9	230	BA15d
QCO0L3U36	Q-Bri comète build up 3L - 36 x 14 cm	Bronze	3 x 8 + 12	230	BA15d
QCO0L4U25	Q-Bri comète build up 4L - 25 x 25 cm	Bronze	4 x 8 + 12	230	BA15d
QCO1L1U14	Q-Bri comète build up 1L - 14 x 14 cm	Brushed nickel	8 + 6	230	BA15d
QCO1L2U25	Q-Bri comète build up 2L - 25 x 14 cm	Brushed nickel	2 x 8 + 9	230	BA15d
QCO1L3U36	Q-Bri comète build up 3L - 36 x 14 cm	Brushed nickel	3 x 8 + 12	230	BA15d
QCO1L4U25	Q-Bri comète build up 4L - 25 x 25 cm	Brushed nickel	4 x 8 + 12	230	BA15d
QCO2L1U14	Q-Bri comète build up 1L - 14 x 14 cm	Chrome	8 + 6	230	BA15d
QCO2L2U25	Q-Bri comète build up 2L - 25 x 14 cm	Chrome	2 x 8 + 9	230	BA15d
QCO2L3U36	Q-Bri comète build up 3L - 36 x 14 cm	Chrome	3 x 8 + 12	230	BA15d
QCO2L4U25	Q-Bri comète build up 4L - 25 x 25 cm	Chrome	4 x 8 + 12	230	BA15d

INDOOR | CEILING | Q-BRI



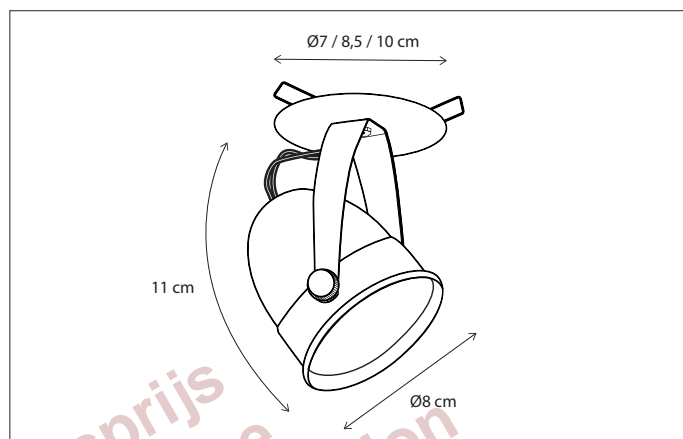
Scan the QR-code & discover the 3 different light effects!

SPOT I COMETE DISC WITH SPRINGS

Available in 2 versions: GU10 (no driver required) or BA15d (driver required).

For BA15d, Select the correct driver, see accessories.

Lamps not included, consult light source guide for our advice.



199

CODE	TYPE	FINISH	WATT	VOLT	FITTING
COM0L1170	Comète disc with springs 7 cm	Bronze	8	230	GU10
COM0L1185	Comète disc with springs 8,5 cm	Bronze	8	230	GU10
COM0L1110	Comète disc with springs 10 cm	Bronze	8	230	GU10
COM1L1170	Comète disc with springs 7 cm	Brushed nickel	8	230	GU10
COM1L1185	Comète disc with springs 8,5 cm	Brushed nickel	8	230	GU10
COM1L1110	Comète disc with springs 10 cm	Brushed nickel	8	230	GU10
COM2L1170	Comète disc with springs 7 cm	Chrome	8	230	GU10
COM2L1185	Comète disc with springs 8,5 cm	Chrome	8	230	GU10
COM2L1110	Comète disc with springs 10 cm	Chrome	8	230	GU10
COM001170	Comète disc with springs 7 cm	Bronze	8	12	BA15d
COM001185	Comète disc with springs 8,5 cm	Bronze	8	12	BA15d
COM001110	Comète disc with springs 10 cm	Bronze	8	12	BA15d
COM101170	Comète disc with springs 7 cm	Brushed nickel	8	12	BA15d
COM101185	Comète disc with springs 8,5 cm	Brushed nickel	8	12	BA15d
COM101110	Comète disc with springs 10 cm	Brushed nickel	8	12	BA15d
COM201170	Comète disc with springs 7 cm	Chrome	8	12	BA15d
COM201185	Comète disc with springs 8,5 cm	Chrome	8	12	BA15d
COM201110	Comète disc with springs 10 cm	Chrome	8	12	BA15d

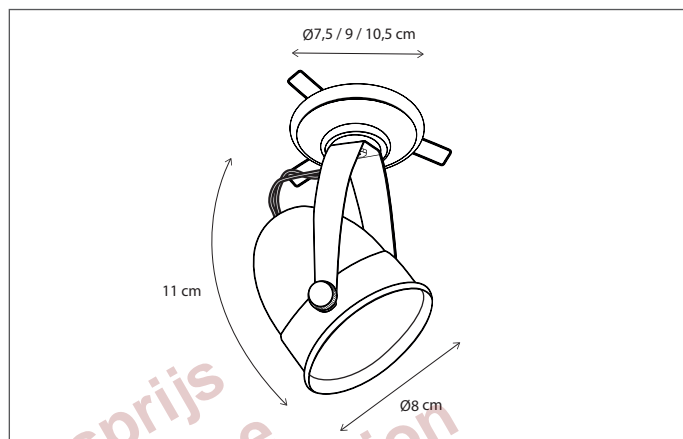
SPOT I COMETE ROSAS WITH SPRINGS



Available in 2 versions: GU10 (no driver required) or BA15d (driver required).

For BA15d, Select the correct driver, see accessories.

Lamps not included, consult light source guide for our advice.



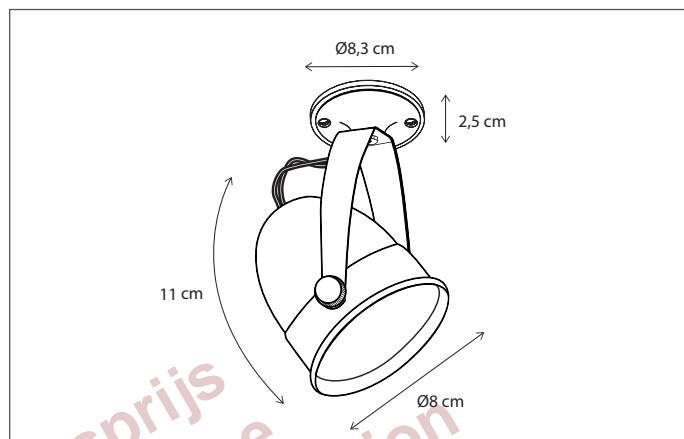
CODE	TYPE	FINISH	WATT	VOLT	FITTING
COM0L1J75	Comète rosas with springs 7,5 cm	Bronze	8	230	GU10
COM0L1J90	Comète rosas with springs 9 cm	Bronze	8	230	GU10
COM0L1J10	Comète rosas with springs 10,5 cm	Bronze	8	230	GU10
COM1L1J75	Comète rosas with springs 7,5 cm	Brushed nickel	8	230	GU10
COM1L1J90	Comète rosas with springs 9 cm	Brushed nickel	8	230	GU10
COM1L1J10	Comète rosas with springs 10,5 cm	Brushed nickel	8	230	GU10
COM2L1J75	Comète rosas with springs 7,5 cm	Chrome	8	230	GU10
COM2L1J90	Comète rosas with springs 9 cm	Chrome	8	230	GU10
COM2L1J10	Comète rosas with springs 10,5 cm	Chrome	8	230	GU10
COM001J75	Comète rosas with springs 7,5 cm	Bronze	8	12	BA15d
COM001J90	Comète rosas with springs 9 cm	Bronze	8	12	BA15d
COM001J10	Comète rosas with springs 10,5 cm	Bronze	8	12	BA15d
COM101J75	Comète rosas with springs 7,5 cm	Brushed nickel	8	12	BA15d
COM101J90	Comète rosas with springs 9 cm	Brushed nickel	8	12	BA15d
COM101J10	Comète rosas with springs 10,5 cm	Brushed nickel	8	12	BA15d
COM201J75	Comète rosas with springs 7,5 cm	Chrome	8	12	BA15d
COM201J90	Comète rosas with springs 9 cm	Chrome	8	12	BA15d
COM201J10	Comète rosas with springs 10,5 cm	Chrome	8	12	BA15d

SPOT I COMETE MOUNTED BASE

Available in 2 versions: GU10 (no driver required) or BA15d (driver required).

For BA15d, Select the correct driver, see accessories.

Lamps not included, consult light source guide for our advice.



201

CODE	TYPE	FINISH	WATT	VOLT	FITTING
COM0L1G83	Comète mounted base	Bronze	8	230	GU10
COM1L1G83	Comète mounted base	Brushed nickel	8	230	GU10
COM2L1G83	Comète mounted base	Chrome	8	230	GU10
COM001G83	Comète mounted base	Bronze	8	12	BA15d
COM101G83	Comète mounted base	Brushed nickel	8	12	BA15d
COM201G83	Comète mounted base	Chrome	8	12	BA15d

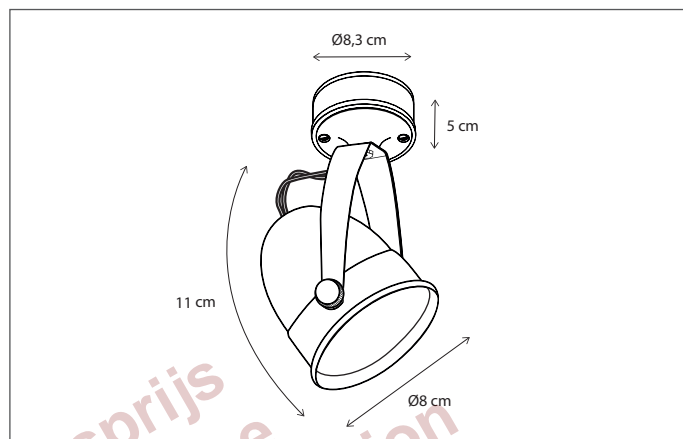
Vraag uw kortingsprijs
 Ask your Discount Price
 Demandez votre prix de Réduction
 Fragen Sie Ihren Rabatt Preis
 www.Bcosy.be

SPOT | COMETE ON ROUND BASE



Available in 2 versions: GU10 (no driver required) or BA15d (driver required & included).

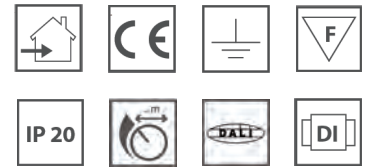
Lamps not included, consult light source guide for our advice.



202

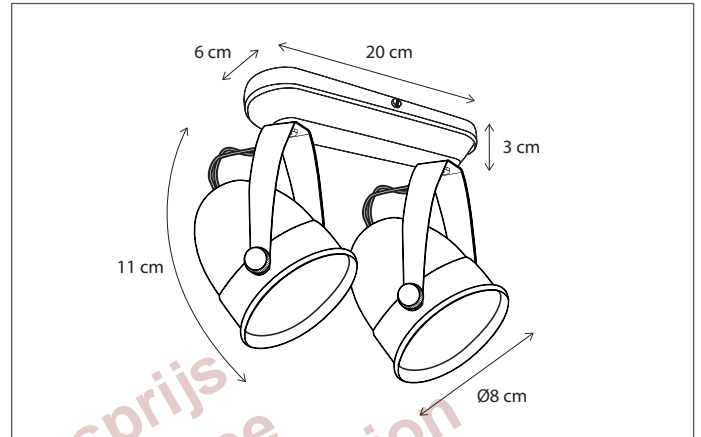
CODE	TYPE	FINISH	WATT	VOLT	FITTING
COM01F83	Comète on round base	Bronze	8	230	GU10
COM11F83	Comète on round base	Brushed nickel	8	230	GU10
COM21F83	Comète on round base	Chrome	8	230	GU10
COM001F83	Comète on round base	Bronze	8	230	BA15d
COM101F83	Comète on round base	Brushed nickel	8	230	BA15d
COM201F83	Comète on round base	Chrome	8	230	BA15d

SPOT I COMETE ON ROUNDED PROFILE



Available in 2 versions: GU10 (no driver required) or BA15d (driver required & included).

Lamps not included, consult light source guide for our advice.



203

CODE	TYPE	FINISH	WATT	VOLT	FITTING
COM0L2O02	Comète on rounded profile 2L	Bronze	2 x 8	230	GU10
COM1L2O02	Comète on rounded profile 2L	Brushed nickel	2 x 8	230	GU10
COM2L2O02	Comète on rounded profile 2L	Chrome	2 x 8	230	GU10
COM002O02	Comète on rounded profile 2L	Bronze	2 x 8	230	BA15d
COM102O02	Comète on rounded profile 2L	Brushed nickel	2 x 8	230	BA15d
COM202O02	Comète on rounded profile 2L	Chrome	2 x 8	230	BA15d

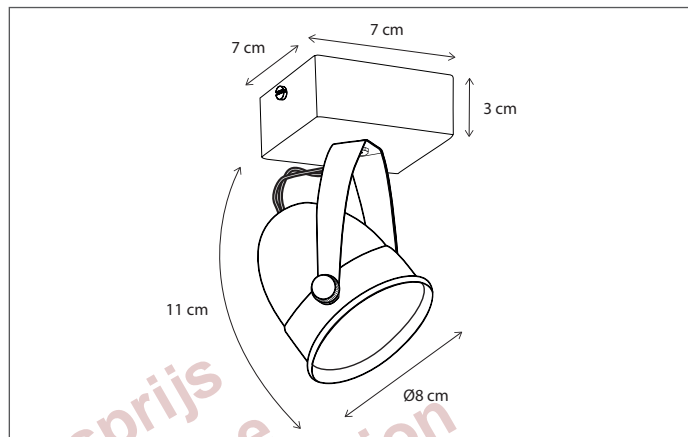
Vraag uw kortingsprijs
 Ask your Discount Price
 Demandez votre prix de Réduction
 Fragen Sie Ihren Rabatt Preis
 www.Bcosy.be

SPOT | COMETE ON SQUARE BASE



Available in 2 versions: GU10 (no driver required) or BA15d (driver required & included).

Lamps not included, consult light source guide for our advice.



204

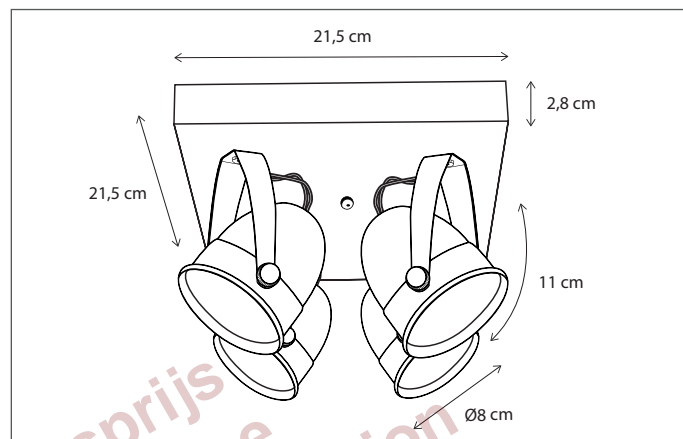
CODE	TYPE	FINISH	WATT	VOLT	FITTING
COM0L1V70	Comète on square base	Bronze	8	230	GU10
COM1L1V70	Comète on square base	Brushed nickel	8	230	GU10
COM2L1V70	Comète on square base	Chrome	8	230	GU10
COM001V70	Comète on square base	Bronze	8	230	BA15d
COM101V70	Comète on square base	Brushed nickel	8	230	BA15d
COM201V70	Comète on square base	Chrome	8	230	BA15d

SPOT I COMETE ON SQUARE BASE LARGE



Available in 2 versions: GU10 (no driver required) or BA15d (driver required & included).

Lamps not included, consult light source guide for our advice.



205

CODE	TYPE	FINISH	WATT	VOLT	FITTING
COM0L4V21	Comète on square base 4L	Bronze	4 x 8	230	GU10
COM1L4V21	Comète on square base 4L	Brushed nickel	4 x 8	230	GU10
COM2L4V21	Comète on square base 4L	Chrome	4 x 8	230	GU10
COM004V21	Comète on square base 4L	Bronze	4 x 8	230	BA15d
COM104V21	Comète on square base 4L	Brushed nickel	4 x 8	230	BA15d
COM204V21	Comète on square base 4L	Chrome	4 x 8	230	BA15d

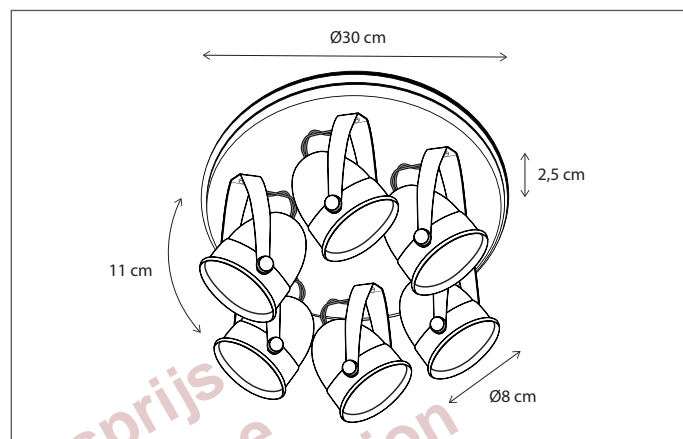
Vraag uw kortingsprijs
Ask your Discount Price
Demandez votre prix de Réduction
Fragen Sie Ihren Rabatt Preis
www.Bcosy.be

SPOT | COMETE ON ROUND PLATE LARGE



Available in 2 versions: GU10 (no driver required) or BA15d (driver required & included).

Lamps not included, consult light source guide for our advice.



206

CODE	TYPE	FINISH	WATT	VOLT	FITTING
COM0L3R30	Comète on round plate 3L	Bronze	3 x 8	230	GU10
COM0L6R30	Comète on round plate 6L	Bronze	6 x 8	230	GU10
COM1L3R30	Comète on round plate 3L	Brushed nickel	3 x 8	230	GU10
COM1L6R30	Comète on round plate 6L	Brushed nickel	6 x 8	230	GU10
COM2L3R30	Comète on round plate 3L	Chrome	3 x 8	230	GU10
COM2L6R30	Comète on round plate 6L	Chrome	6 x 8	230	GU10
COM003R30	Comète on round plate 3L	Bronze	3 x 8	230	BA15d
COM006R30	Comète on round plate 6L	Bronze	6 x 8	230	BA15d
COM103R30	Comète on round plate 3L	Brushed nickel	3 x 8	230	BA15d
COM106R30	Comète on round plate 6L	Brushed nickel	6 x 8	230	BA15d
COM203R30	Comète on round plate 3L	Chrome	3 x 8	230	BA15d
COM206R30	Comète on round plate 6L	Chrome	6 x 8	230	BA15d

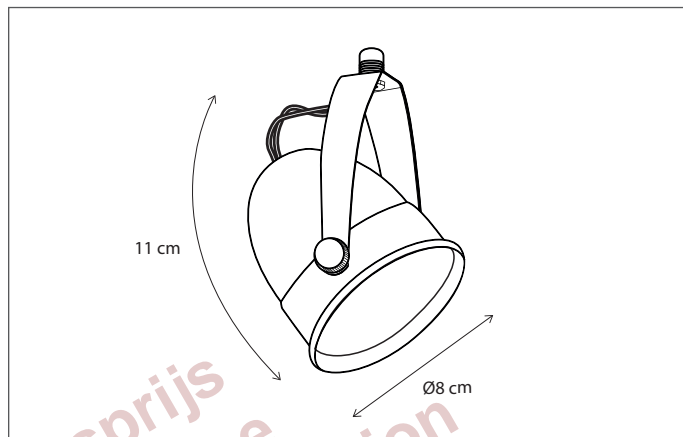
INDOOR | SPOT | COMETE

SPOT I COMETE M10

Available in 2 versions: GU10 (no driver required) or BA15d (driver required).

For BA15d, Select the correct driver, see accessories.

Lamps not included, consult light source guide for our advice.



207

CODE	TYPE	FINISH	WATT	VOLT	FITTING
COM0L1M01	Comète M10	Bronze	8	230	GU10
COM1L1M01	Comète M10	Brushed nickel	8	230	GU10
COM2L1M01	Comète M10	Chrome	8	230	GU10
COM001M01	Comète M10	Bronze	8	12	BA15d
COM101M01	Comète M10	Brushed nickel	8	12	BA15d
COM201M01	Comète M10	Chrome	8	12	BA15d

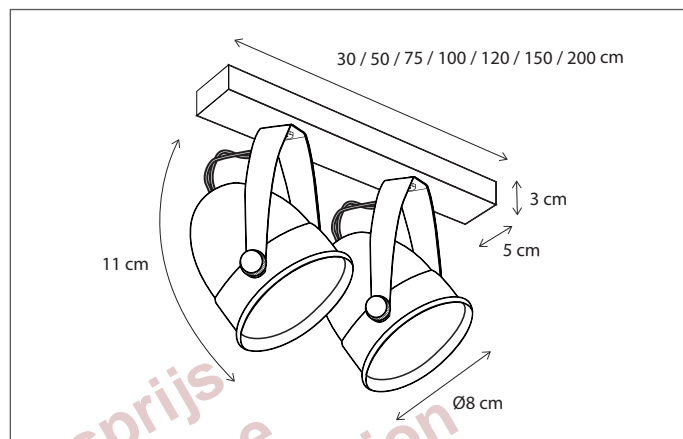
Vraag uw kortingprijs
Ask your Discount Price
Demandez votre prix de Réduction
Fragen Sie Ihren Rabatt Preis
www.Bcosy.be

SPOT I COMETE ON PROFILE

Available in 2 versions: GU10 (no driver required) or BA15d (driver required & included).

Customise your product, choose the length of the profile and number of spots.

Lamps not included, consult light source guide for our advice.



208

CODE	TYPE	FINISH	WATT	VOLT	FITTING
COM0L2B03	Comète on profile 30 cm - 2L	Bronze	2 x 8	230	GU10
COM0L3B05	Comète on profile 50 cm - 3L	Bronze	3 x 8	230	GU10
COM0L4B07	Comète on profile 75 cm - 4L	Bronze	4 x 8	230	GU10
COM0L4B10	Comète on profile 100 cm - 4L	Bronze	4 x 8	230	GU10
COM0L4B12	Comète on profile 120 cm - 4L	Bronze	4 x 8	230	GU10
COM0L4B15	Comète on profile 150 cm - 4L	Bronze	4 x 8	230	GU10
COM0L4B20	Comète on profile 200 cm - 4L	Bronze	4 x 8	230	GU10
COM0L1XTR	Comète extra mounted on profile	Bronze	8	230	GU10
COM1L2B03	Comète on profile 30 cm - 2L	Brushed nickel	2 x 8	230	GU10
COM1L3B05	Comète on profile 50 cm - 3L	Brushed nickel	3 x 8	230	GU10
COM1L4B07	Comète on profile 75 cm - 4L	Brushed nickel	4 x 8	230	GU10
COM1L4B10	Comète on profile 100 cm - 4L	Brushed nickel	4 x 8	230	GU10
COM1L4B12	Comète on profile 120 cm - 4L	Brushed nickel	4 x 8	230	GU10
COM1L4B15	Comète on profile 150 cm - 4L	Brushed nickel	4 x 8	230	GU10
COM1L4B20	Comète on profile 200 cm - 4L	Brushed nickel	4 x 8	230	GU10
COM1L1XTR	Comète extra mounted on profile	Brushed nickel	8	230	GU10
COM2L2B03	Comète on profile 30 cm - 2L	Chrome	2 x 8	230	GU10
COM2L3B05	Comète on profile 50 cm - 3L	Chrome	3 x 8	230	GU10
COM2L4B07	Comète on profile 75 cm - 4L	Chrome	4 x 8	230	GU10
COM2L4B10	Comète on profile 100 cm - 4L	Chrome	4 x 8	230	GU10
COM2L4B12	Comète on profile 120 cm - 4L	Chrome	4 x 8	230	GU10
COM2L4B15	Comète on profile 150 cm - 4L	Chrome	4 x 8	230	GU10

INDOOR | SPOT | COMETE

SPOT | COMETE ON PROFILE

CODE	TYPE	FINISH	WATT	VOLT	FITTING
COM2L4B20	Comète on profile 200 cm - 4L	Chrome	4 x 8	230	GU10
COM2L1XTR	Comète extra mounted on profile	Chrome	8	230	GU10
COM002B03	Comète on profile 30 cm - 2L	Bronze	2 x 8	230	BA15d
COM003B05	Comète on profile 50 cm - 3L	Bronze	3 x 8	230	BA15d
COM004B07	Comète on profile 75 cm - 4L	Bronze	4 x 8	230	BA15d
COM004B10	Comète on profile 100 cm - 4L	Bronze	4 x 8	230	BA15d
COM004B12	Comète on profile 120 cm - 4L	Bronze	4 x 8	230	BA15d
COM004B15	Comète on profile 150 cm - 4L	Bronze	4 x 8	230	BA15d
COM004B20	Comète on profile 200 cm - 4L	Bronze	4 x 8	230	BA15d
COM001XTR	Comète extra mounted on profile	Bronze	8	230	BA15d
COM102B03	Comète on profile 30 cm - 2L	Brushed nickel	2 x 8	230	BA15d
COM103B05	Comète on profile 50 cm - 3L	Brushed nickel	3 x 8	230	BA15d
COM104B07	Comète on profile 75 cm - 4L	Brushed nickel	4 x 8	230	BA15d
COM104B10	Comète on profile 100 cm - 4L	Brushed nickel	4 x 8	230	BA15d
COM104B12	Comète on profile 120 cm - 4L	Brushed nickel	4 x 8	230	BA15d
COM104B15	Comète on profile 150 cm - 4L	Brushed nickel	4 x 8	230	BA15d
COM104B20	Comète on profile 200 cm - 4L	Brushed nickel	4 x 8	230	BA15d
COM101XTR	Comète extra mounted on profile	Brushed nickel	8	230	BA15d
COM202B03	Comète on profile 30 cm - 2L	Chrome	2 x 8	230	BA15d
COM203B05	Comète on profile 50 cm - 3L	Chrome	3 x 8	230	BA15d
COM204B07	Comète on profile 75 cm - 4L	Chrome	4 x 8	230	BA15d
COM204B10	Comète on profile 100 cm - 4L	Chrome	4 x 8	230	BA15d
COM204B12	Comète on profile 120 cm - 4L	Chrome	4 x 8	230	BA15d
COM204B15	Comète on profile 150 cm - 4L	Chrome	4 x 8	230	BA15d
COM204B20	Comète on profile 200 cm - 4L	Chrome	4 x 8	230	BA15d
COM201XTR	Comète extra mounted on profile	Chrome	8	230	BA15d

209

Vraag uw kortingsprijs
Ask your Discount Price
Demandez votre prix de Réduction
Fragen Sie Ihren Rabatt Preis
www.Bcosy.be

TRACK | SPOT ON TRACK - NO DRIVER



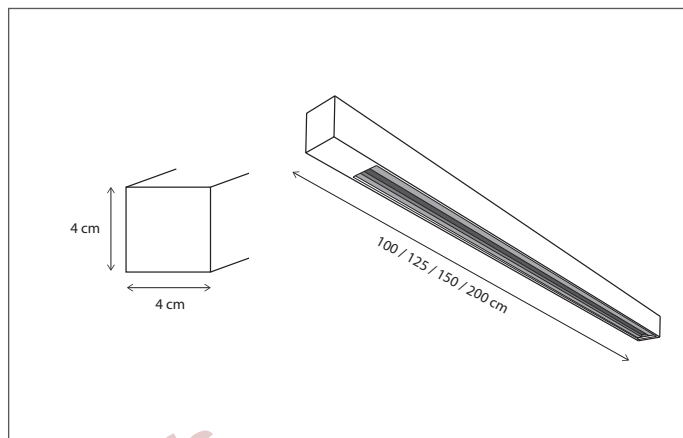
Lamps not included, consult light source guide for our advice.



263

CODE	TYPE	FINISH	WATT	VOLT	FITTING
COU001TRA	Coupette on track	Bronze	12	230	GU10
COM001TRA	Comète on track	Bronze	8	230	GU10
POI001TRA	Poire on track	Bronze	8	230	GU10
FIH001TRA	Fiston on track	Bronze	8	230	GU10
TBL001TS1	Tubelum on track 15 cm	Bronze	6	230	GU10
COM101TRA	Comète on track	Brushed nickel	8	230	GU10
POI101TRA	Poire on track	Brushed nickel	8	230	GU10
FIH101TRA	Fiston on track	Brushed nickel	8	230	GU10
COM201TRA	Comète on track	Chrome	8	230	GU10
POI201TRA	Poire on track	Chrome	8	230	GU10
FIH201TRA	Fiston on track	Chrome	8	230	GU10
COM301TRA	Comète on track	Polished brass	8	230	GU10
POI301TRA	Poire on track	Polished brass	8	230	GU10
FIH301TRA	Fiston on track	Polished brass	8	230	GU10
TBL301TS1	Tubelum on track 15 cm	Polished brass	6	230	GU10

TRACK | PROFILE



262

CODE	TYPE	FINISH	WATT	VOLT	FITTING
TRA000100	Track-system profile 100cm	Bronze	-	230	-
TRA000125	Track-system profile 125cm	Bronze	-	230	-
TRA000150	Track-system profile 150cm	Bronze	-	230	-
TRA000200	Track-system profile 200cm	Bronze	-	230	-
TRA100100	Track-system profile 100cm	Brushed nickel	-	230	-
TRA100125	Track-system profile 125cm	Brushed nickel	-	230	-
TRA100150	Track-system profile 150cm	Brushed nickel	-	230	-
TRA100200	Track-system profile 200cm	Brushed nickel	-	230	-
TRA200100	Track-system profile 100cm	Chrome	-	230	-
TRA200125	Track-system profile 125cm	Chrome	-	230	-
TRA200150	Track-system profile 150cm	Chrome	-	230	-
TRA200200	Track-system profile 200cm	Chrome	-	230	-
TRA300100	Track-system profile 100cm	Polished brass	-	230	-
TRA300125	Track-system profile 125cm	Polished brass	-	230	-
TRA300150	Track-system profile 150cm	Polished brass	-	230	-
TRA300200	Track-system profile 200cm	Polished brass	-	230	-

ACCESSORIES | CONNECTION SYSTEM ELIGNE / TRACK



CODE	TYPE	FINISH
478 ELP00ICON	I connection track-system / eligne	Bronze
ELP00LCON	L connection track-system / eligne	Bronze
ELP00TCON	T connection track-system / eligne	Bronze
ELP10ICON	I connection track-system / eligne	Brushed nickel
ELP10LCON	L connection track-system / eligne	Brushed nickel
ELP10TCON	T connection track-system / eligne	Brushed nickel
ELP20ICON	I connection track-system / eligne	Chrome
ELP20LCON	L connection track-system / eligne	Chrome
ELP20TCON	T connection track-system / eligne	Chrome

Vraag uw kortingprijs
 Ask your Discount Price
 Demandez votre prix de Réduction
 Fragen Sie Ihren Rabatt Preis
 www.Bcosy.be

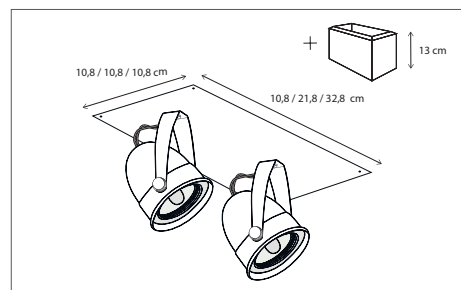
ACCESSORIES | CONNECTION SYSTEM ELIGNE TRACK

RECESSED | PHANTOME COMETE



Built-in box included.

Lamps not included, consult light source guide for our advice.



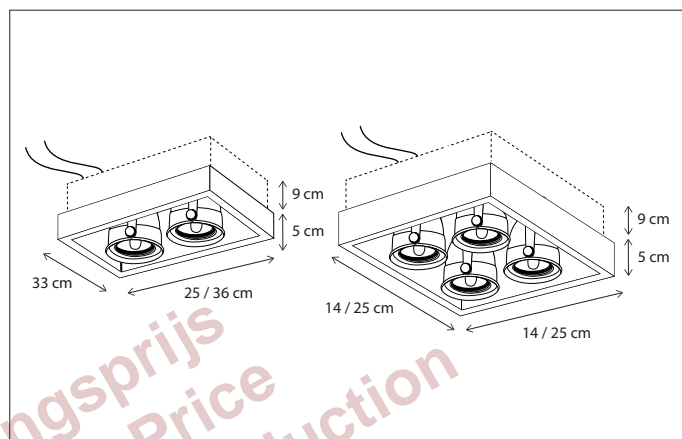
CODE	TYPE	FINISH	WATT	VOLT	FITTING
COM0L1CL5	Phantôme comète 1L - 10,8 x 10,8 cm	Bronze	8	230	GU10
COM0L2CL6	Phantôme comète 2L - 21,8 x 10,8 cm	Bronze	2 x 8	230	GU10
COM0L3CL7	Phantôme comète 3L - 32,8 x 10,8 cm	Bronze	3 x 8	230	GU10
COM1L1CL5	Phantôme comète 1L - 10,8 x 10,8 cm	Brushed nickel	8	230	GU10
COM1L2CL6	Phantôme comète 2L - 21,8 x 10,8 cm	Brushed nickel	2 x 8	230	GU10
COM1L3CL7	Phantôme comète 3L - 32,8 x 10,8 cm	Brushed nickel	3 x 8	230	GU10
COM2L1CL5	Phantôme comète 1L - 10,8 x 10,8 cm	Chrome	8	230	GU10
COM2L2CL6	Phantôme comète 2L - 21,8 x 10,8 cm	Chrome	2 x 8	230	GU10
COM2L3CL7	Phantôme comète 3L - 32,8 x 10,8 cm	Chrome	3 x 8	230	GU10

Vraag uw kortingsprijs
 Ask your Discount Price
 Demandez votre prix de Réduction
 Fragen Sie Ihren Rabatt Preis
 www.Bcosy.be

RECESSED | Q-BRI COMETE SEMI RECESSED

2 circuits that can be switched on/off separately, enabling 3 light effects:

1. Indirect illumination via an integrated LED strip
2. Direct (functional) light created by comete spots (lamps not included, consult light source guide for our advice)
3. Combination of above



CODE	TYPE	FINISH	WATT	VOLT	FITTING
QCO0L1S14	Q-Bri comète semi recessed 1L - 14 x 14 cm	Bronze	8 + 6	230	BA15d
QCO0L2S25	Q-Bri comète semi recessed 2L - 25 x 14 cm	Bronze	2 x 8 + 9	230	BA15d
QCO0L3S36	Q-Bri comète semi recessed 3L - 36 x 14 cm	Bronze	3 x 8 + 12	230	BA15d
QCO0L4S25	Q-Bri comète semi recessed 4L - 25 x 25 cm	Bronze	4 x 8 + 12	230	BA15d
QCO1L1S14	Q-Bri comète semi recessed 1L - 14 x 14 cm	Brushed nickel	8 + 6	230	BA15d
QCO1L2S25	Q-Bri comète semi recessed 2L - 25 x 14 cm	Brushed nickel	2 x 8 + 9	230	BA15d
QCO1L3S36	Q-Bri comète semi recessed 3L - 36 x 14 cm	Brushed nickel	3 x 8 + 12	230	BA15d
QCO1L4S25	Q-Bri comète semi recessed 4L - 25 x 25 cm	Brushed nickel	4 x 8 + 12	230	BA15d
QCO2L1S14	Q-Bri comète semi recessed 1L - 14 x 14 cm	Chrome	8 + 6	230	BA15d
QCO2L2S25	Q-Bri comète semi recessed 2L - 25 x 14 cm	Chrome	2 x 8 + 9	230	BA15d
QCO2L3S36	Q-Bri comète semi recessed 3L - 36 x 14 cm	Chrome	3 x 8 + 12	230	BA15d
QCO2L4S25	Q-Bri comète semi recessed 4L - 25 x 25 cm	Chrome	4 x 8 + 12	230	BA15d

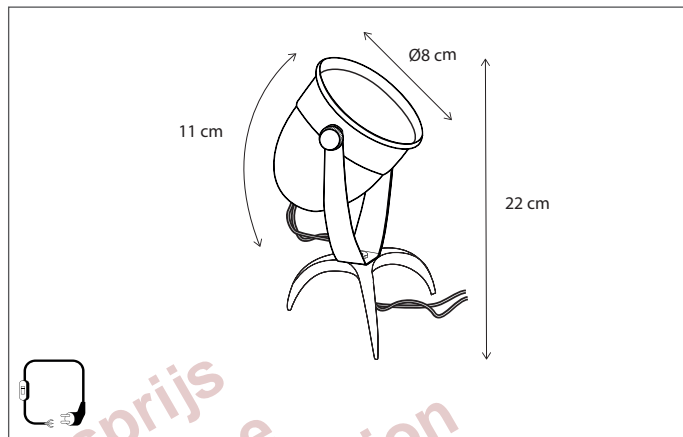


Scan the QR-code & discover
the 3 different light effects!

TABLE I COMETE TRIPOD



Lamps not included, consult light source guide for our advice.



344

CODE	TYPE	FINISH	WATT	VOLT	FITTING
COL001T03	Comète tripod	Bronze	8	230	GU10
COL101T03	Comète tripod	Brushed nickel	8	230	GU10
COL201T03	Comète tripod	Chrome	8	230	GU10

Vraag uw kortingprijs
 Ask your Discount Price
 Demandez votre prix de Réduction
 Fragen Sie Ihren Rabatt Preis
 www.Bcosy.be

ACCESSORIES | BUILT-IN ACCESSORIES



Built-in box 1L



Built-in box 2L

CODE	TYPE	DEPTH (cm)	LENGTH (cm)	WIDTH (cm)
CENBOXCL1	Built-in box centonze 1L	13	18,5	18,5
CENBOXCL2	Built-in box centonze 2L	13	33,5	18,5
CENBOXCL3	Built-in box centonze 3L	13	48	18,5
CENBOXCL4	Built-in box centonze 4L	13	33,5	33,5
COMBOXCS1	Built-in box comète 1L	13	14	14
COMBOXCS2	Built-in box comète 2L	13	25	14
COMBOXCS3	Built-in box comète 3L	13	35,5	14
CYOBX0SM	Built-in box 'create your own' small	13	25	14
CYOBX0ME	Built-in box 'create your own' medium	13	35,5	14
CYOBX0LA	Built-in box 'create your own' large	13	33,5	18,5
CYOBX0EL	Built-in box 'create your own' extra large	13	48	18,5

483

Vraag uw kortingsprijs
Ask your Discount Price
Demandez votre prix de Réduction
Fragen Sie Ihren Rabatt Preis
www.Bcosy.be



Scan the QR-code & discover how to build in Phantomé boxes!

Select your driver with following steps

STEP 1

SELECT TYPE OF DRIVER (12V OR 24V)

Collection	Type of driver
Centonze, Marron, Comète, Poire, Fleure, Fleure Twin, Fiston, Monet, Grille, Subtile, Charmond (retrofit), Macro	12V
Matisse, Pipilier, Beautique, Galed, Charmond (integrated), Eclips	24V

STEP 2

CALCULATE TOTAL POWER CONSUMPTION OF THIS CIRCUIT

How many products (N) do you combine on 1 driver?

Total power consumption = $N \times$ power consumption of 1 product

STEP 3

CALCULATE REQUIRED DRIVER CAPACITY

LED lamp: use maximum 50% of total nominal power of the driver

Halogen lamp: use 100% of total nominal power of the transformer

STEP 4

LOCATION OF THE DRIVER / TRAF0

Indoor, outdoor or in the ground

EXAMPLE: Installation of 4 Centonze LED-spot with a bulb of 12W each in a living room

- Step 1** Centonze requires 12V driver
- Step 2** Total power consumption = $4(N) \times 12W$ (power consumption of 1 product) = 48W
- Step 3** LED lamp, only 50% of driver power can be used. Total required driver capacity is $2 \times 48W = 96W$
- Step 4** Indoor application (living room)
- Result** Drivers TOETRAP10 (rectangular) or TOETRAR10 (round) can be used

ACCESSORIES | DRIVER / TRANSFORMER



485

CODE	TYPE	LOCATION	DIM	L(cm)	W(cm)	H(cm)
1	TOETRAR60 Transformer IP20 12V 50W	INDOOR	dimnable	Ø5		2
2	LEDRI1250 Transformer IP20 12V 50W	INDOOR	dimnable	7,5	3,5	2,6
3	LEDRW1250 Transformer IP68 12V 50W	GROUND	dimnable	9	9	5
4	TOETRAP60 Transformer IP20 12V 60W	INDOOR	dimnable	8,5	3	2
5	TOETR6560 Transformer IP65 12V 60W	OUTDOOR	dimnable	Ø5,3		2
6	TOETR656L Transformer IP65 12V 60W	OUTDOOR	dimnable	10,4	3	2,1
7	TOETR6860 Transformer IP68 12V 60W	GROUND	dimnable	9	9	5
8	TOETRAP10 Transformer IP20 12V 105W	INDOOR	dimnable	10,5	3,5	2
9	TOETRAR10 Transformer IP20 12V 105W	INDOOR	dimnable	Ø7		2
10	TOETR6510 Transformer IP65 12V 105W	OUTDOOR	dimnable	Ø6,8		2,4
11	TOETR651L Transformer IP65 12V 105W	OUTDOOR	dimnable	13,5	3	2
12	TOETR6810 Transformer IP68 12V 105W	GROUND	dimnable	9	9	5
13	TOEDR2404 Driver constant voltage IP65 24V 4W	OUTDOOR		3,8	2,7	2,1
14	TOEDR2405 Driver constant voltage IP67 24V 5W	OUTDOOR		5,7	5,5	2,4
15	LEDRW2405 Driver constant voltage IP68 24V 5W	GROUND		5,7	5,5	2,4
16	TOEDR2412 Driver constant voltage IP67 24V 12W	OUTDOOR		6,5	3,5	2,2
17	TOEDR2420 Driver constant voltage IP67 24V 20W	OUTDOOR		15,6	2,9	2,1
18	TOEDR2430 Driver constant voltage IP67 24V 30W	OUTDOOR		18,1	2,9	2,1
19	TOEDR2436 Driver constant voltage Triac + push dim IP20 24V 36W	INDOOR	dimnable	17,5	4,5	3
20	TOEDR2445 Driver constant voltage IP67 24V 45W	OUTDOOR		22	2,9	2,1
21	TOEDR2460 Driver constant voltage IP67 24V 60W	OUTDOOR		17,8	6,7	3,8
22	TOEDR2475 Driver constant voltage Triac + push dim IP20 24V 75W	INDOOR	dimnable	20,3	6,2	3,5
23	TOEDR2480 Driver constant voltage IP67 24V 80W	OUTDOOR		15,8	5,3	3,5
24	TOEDR2400 Driver constant voltage IP67 24V 100W	OUTDOOR		21,2	6,7	3,8