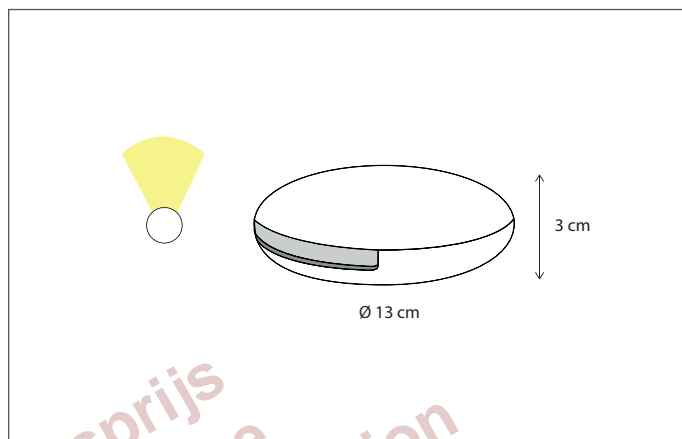


GROUND & POLE | GALED 90°



Select the correct driver, see accessories.



426

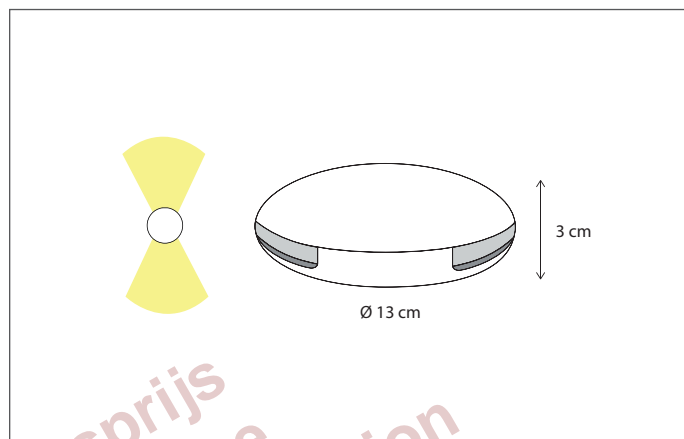
CODE	TYPE	FINISH	WATT	VOLT	FITTING
GAL001001	Galed 90°	Bronze	1,5	24	-
GAL101001	Galed 90°	Brushed nickel	1,5	24	-
GAL201001	Galed 90°	Chrome	1,5	24	-

Vraag uw kortingprijs
 Ask your Discount Price
 Demandez votre prix de Réduction
 Fragen Sie Ihren Rabatt Preis
 www.Bcosy.be

GROUND & POLE | GALED 2 X 90°



Select the correct driver, see accessories.



427

CODE	TYPE	FINISH	WATT	VOLT	FITTING
GAL002900	Galed 2 x 90°	Bronze	2 x 1,5	24	-
GAL102900	Galed 2 x 90°	Brushed nickel	2 x 1,5	24	-
GAL202900	Galed 2 x 90°	Chrome	2 x 1,5	24	-

Vraag uw kortingsprijs
 Ask your Discount Price
 Demandez votre prix de Réduction
 Fragen Sie Ihren Rabatt Preis
 www.Bcosy.be

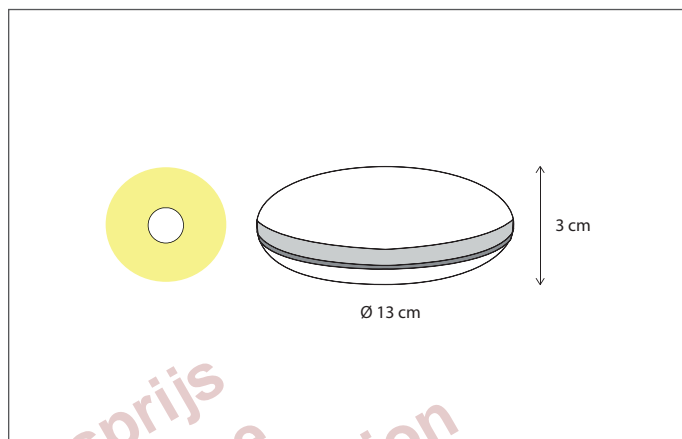
Contact us for:

Customisation, connectivity or halogen version of the collection

GROUND & POLE | GALED 360°



Select the correct driver, see accessories.



428

CODE	TYPE	FINISH	WATT	VOLT	FITTING
GAL003600	Galed 360°	Bronze	4,5	24	-
GAL103600	Galed 360°	Brushed nickel	4,5	24	-
GAL203600	Galed 360°	Chrome	4,5	24	-

Vraag uw kortingsprijs
 Ask your Discount Price
 Demandez votre prix de Réduction
 Fragen Sie Ihren Rabatt Preis
 www.Bcosy.be

GROUND & POLE | GALED POLE 90°



Available in 2 versions: driver included or excluded.
Select the correct driver, see accessories.



429

CODE	TYPE	FINISH	WATT	VOLT	FITTING
GAL0010P2	Galed pole 90° 25 cm (driver incl.)	Bronze	1,5	230	-
GAL0010P6	Galed pole 90° 50 cm (driver incl.)	Bronze	1,5	230	-
GAL1010P2	Galed pole 90° 25 cm (driver incl.)	Brushed nickel	1,5	230	-
GAL1010P6	Galed pole 90° 50 cm (driver incl.)	Brushed nickel	1,5	230	-
GAL2010P2	Galed pole 90° 25 cm (driver incl.)	Chrome	1,5	230	-
GAL2010P6	Galed pole 90° 50 cm (driver incl.)	Chrome	1,5	230	-
GAL0010PI	Galed pole 90° 25 cm	Bronze	1,5	24	-
GAL0010P5	Galed pole 90° 50 cm	Bronze	1,5	24	-
GAL1010PI	Galed pole 90° 25 cm	Brushed nickel	1,5	24	-
GAL1010P5	Galed pole 90° 50 cm	Brushed nickel	1,5	24	-
GAL2010PI	Galed pole 90° 25 cm	Chrome	1,5	24	-
GAL2010P5	Galed pole 90° 50 cm	Chrome	1,5	24	-

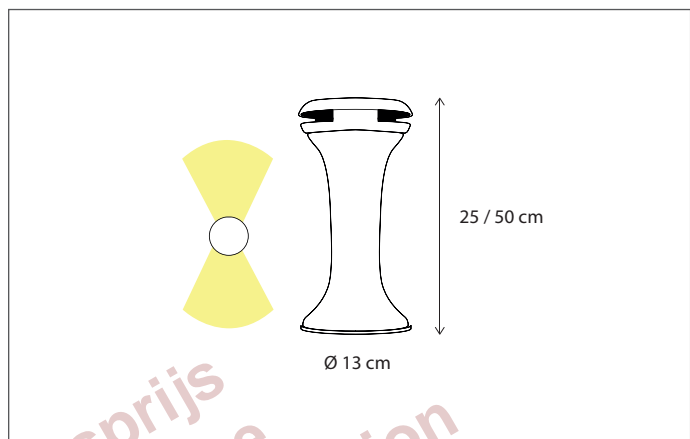
Contact us for:

Customisation, connectivity or halogen version of the collection

GROUND & POLE | GALED POLE 2 X 90°



Available in 2 versions: driver included or excluded.
Select the correct driver, see accessories.



430

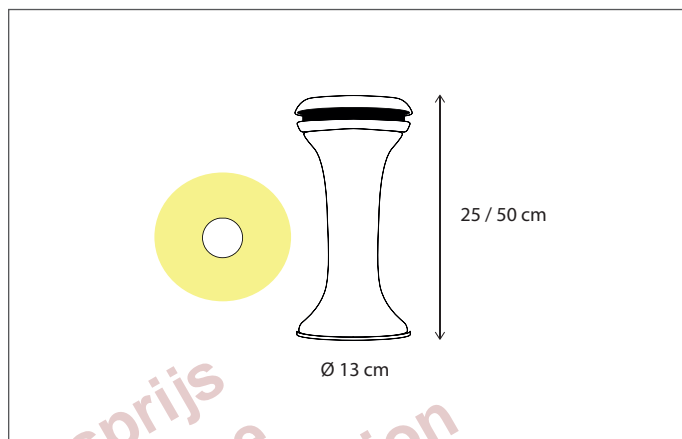
CODE	TYPE	FINISH	WATT	VOLT	FITTING
GAL0029P2	Galed pole 2 x 90° 25 cm (driver incl.)	Bronze	2 x 1,5	230	-
GAL0029P6	Galed pole 2 x 90° 50 cm (driver incl.)	Bronze	2 x 1,5	230	-
GAL1029P2	Galed pole 2 x 90° 25 cm (driver incl.)	Brushed nickel	2 x 1,5	230	-
GAL1029P6	Galed pole 2 x 90° 50 cm (driver incl.)	Brushed nickel	2 x 1,5	230	-
GAL2029P2	Galed pole 2 x 90° 25 cm (driver incl.)	Chrome	2 x 1,5	230	-
GAL2029P6	Galed pole 2 x 90° 50 cm (driver incl.)	Chrome	2 x 1,5	230	-
GAL0029PI	Galed pole 2 x 90° 25 cm	Bronze	2 x 1,5	24	-
GAL0029P5	Galed pole 2 x 90° 50 cm	Bronze	2 x 1,5	24	-
GAL1029PI	Galed pole 2 x 90° 25 cm	Brushed nickel	2 x 1,5	24	-
GAL1029P5	Galed pole 2 x 90° 50 cm	Brushed nickel	2 x 1,5	24	-
GAL2029PI	Galed pole 2 x 90° 25 cm	Chrome	2 x 1,5	24	-
GAL2029P5	Galed pole 2 x 90° 50 cm	Chrome	2 x 1,5	24	-

Contact us for:

GROUND & POLE | GALED POLE 360°



Available in 2 versions: driver included or excluded.
Select the correct driver, see accessories.



431

CODE	TYPE	FINISH	WATT	VOLT	FITTING
GAL0036P2	Galed pole 360° 25 cm (driver incl.)	Bronze	4,5	230	-
GAL0036P6	Galed pole 360° 50 cm (driver incl.)	Bronze	4,5	230	-
GAL1036P2	Galed pole 360° 25 cm (driver incl.)	Brushed nickel	4,5	230	-
GAL1036P6	Galed pole 360° 50 cm (driver incl.)	Brushed nickel	4,5	230	-
GAL2036P2	Galed pole 360° 25 cm (driver incl.)	Chrome	4,5	230	-
GAL2036P6	Galed pole 360° 50 cm (driver incl.)	Chrome	4,5	230	-
GAL0036PI	Galed pole 360° 25 cm	Bronze	4,5	24	-
GAL0036P5	Galed pole 360° 50 cm	Bronze	4,5	24	-
GAL1036PI	Galed pole 360° 25 cm	Brushed nickel	4,5	24	-
GAL1036P5	Galed pole 360° 50 cm	Brushed nickel	4,5	24	-
GAL2036PI	Galed pole 360° 25 cm	Chrome	4,5	24	-
GAL2036P5	Galed pole 360° 50 cm	Chrome	4,5	24	-

Contact us for:

Customisation, connectivity or halogen version of the collection

Select your driver with following steps

STEP 1

SELECT TYPE OF DRIVER (12V OR 24V)

Collection	Type of driver
Centonze, Marron, Comète, Poire, Fleure, Fleure Twin, Fiston, Monet, Grille, Subtile, Charmond (retrofit), Macro	12V
Matisse, Pipilier, Beautique, Galed, Charmond (integrated), Eclips	24V

STEP 2

CALCULATE TOTAL POWER CONSUMPTION OF THIS CIRCUIT

How many products (N) do you combine on 1 driver?

Total power consumption = N x power consumption of 1 product

STEP 3

CALCULATE REQUIRED DRIVER CAPACITY

LED lamp: use maximum 50% of total nominal power of the driver

Halogen lamp: use 100% of total nominal power of the transformer

STEP 4

LOCATION OF THE DRIVER / TRAFU

Indoor, outdoor or in the ground

EXAMPLE: Installation of 4 Centonze LED-spot with a bulb of 12W each in a living room

- Step 1** Centonze requires 12V driver
- Step 2** Total power consumption = 4(N) x 12W (power consumption of 1 product) = 48W
- Step 3** LED lamp, only 50% of driver power can be used. Total required driver capacity is 2x48W=96W
- Step 4** Indoor application (living room)
- Result** Drivers TOETRAP10 (rectangular) or TOETRAR10 (round) can be used

Contact us for:

Customisation, connectivity or halogen version of the collection

ACCESSORIES | DRIVER / TRANSFORMER



485

	CODE	TYPE	LOCATION	DIM	L(cm)	W(cm)	H(cm)
1	TOETRAR60	Transformer IP20 12V 50W	INDOOR	dimnable	Ø5		2
2	LEDRI1250	Transformer IP20 12V 50W	INDOOR	dimnable	7,5	3,5	2,6
3	LEDRW1250	Transformer IP68 12V 50W	GROUND	dimnable	9	9	5
4	TOETRAP60	Transformer IP20 12V 60W	INDOOR	dimnable	8,5	3	2
5	TOETR6560	Transformer IP65 12V 60W	OUTDOOR	dimnable	Ø5,3		2
6	TOETR656L	Transformer IP65 12V 60W	OUTDOOR	dimnable	10,4	3	2,1
7	TOETR6860	Transformer IP68 12V 60W	GROUND	dimnable	9	9	5
8	TOETRAP10	Transformer IP20 12V 105W	INDOOR	dimnable	10,5	3,5	2
9	TOETRAR10	Transformer IP20 12V 105W	INDOOR	dimnable	Ø7		2
10	TOETR6510	Transformer IP65 12V 105W	OUTDOOR	dimnable	Ø6,8		2,4
11	TOETR651L	Transformer IP65 12V 105W	OUTDOOR	dimnable	13,5	3	2
12	TOETR6810	Transformer IP68 12V 105W	GROUND	dimnable	9	9	5
13	TOEDR2404	Driver constant voltage IP65 24V 4W	OUTDOOR		3,8	2,7	2,1
14	TOEDR2405	Driver constant voltage IP67 24V 5W	OUTDOOR		5,7	5,5	2,4
15	LEDRW2405	Driver constant voltage IP68 24V 5W	GROUND		5,7	5,5	2,4
16	TOEDR2412	Driver constant voltage IP67 24V 12W	OUTDOOR		6,5	3,5	2,2
17	TOEDR2420	Driver constant voltage IP67 24V 20W	OUTDOOR		15,6	2,9	2,1
18	TOEDR2430	Driver constant voltage IP67 24V 30W	OUTDOOR		18,1	2,9	2,1
19	TOEDR2436	Driver constant voltage Triac + push dim IP20 24V 36W	INDOOR	dimnable	17,5	4,5	3
20	TOEDR2445	Driver constant voltage IP67 24V 45W	OUTDOOR		22	2,9	2,1
21	TOEDR2460	Driver constant voltage IP67 24V 60W	OUTDOOR		17,8	6,7	3,8
22	TOEDR2475	Driver constant voltage Triac + push dim IP20 24V 75W	INDOOR	dimnable	20,3	6,2	3,5
23	TOEDR2480	Driver constant voltage IP67 24V 80W	OUTDOOR		15,8	5,3	3,5
24	TOEDR2400	Driver constant voltage IP67 24V 100W	OUTDOOR		21,2	6,7	3,8

Contact us for:

Customisation, connectivity or halogen version of the collection