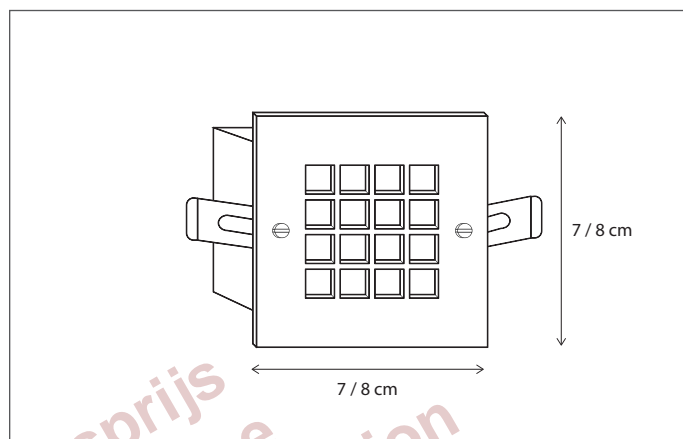


WALL | GRILLE CARRE

Built-in accessories for different types of wall available, see accessories.  
 Select the correct driver, see accessories.  
 Lamps not included, consult light source guide for our advice.



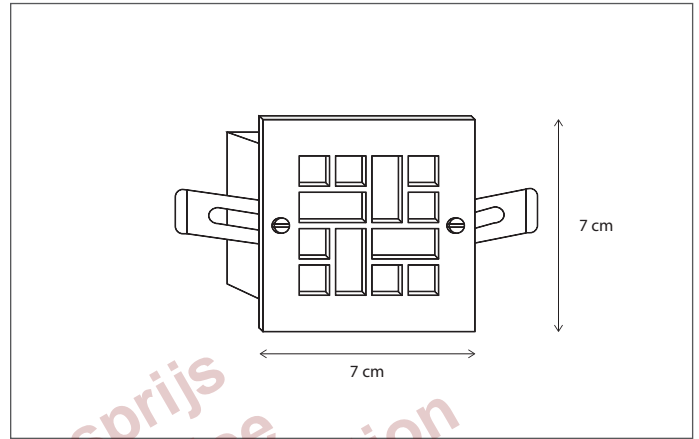
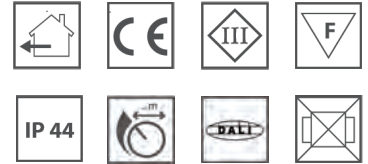
405

CODE	TYPE	FINISH	WATT	VOLT	FITTING
GR1001001	Grille carré 7 cm	Bronze	4	12	G4
GR1001081	Grille carré 8 cm	Bronze	4	12	G4
GR1101001	Grille carré 7 cm	Brushed nickel	4	12	G4
GR1101081	Grille carré 8 cm	Brushed nickel	4	12	G4
GR1201001	Grille carré 7 cm	Chrome	4	12	G4
GR1201081	Grille carré 8 cm	Chrome	4	12	G4
GR1301001	Grille carré 7 cm	Polished brass	4	12	G4
GR1301081	Grille carré 8 cm	Polished brass	4	12	G4

Vraag uw kortingsprijs  
 Ask your Discount Price  
 Demandez votre prix de Réduction  
 Fragen Sie Ihren Rabatt Preis  
 www.Bcosy.be

**WALL | GRILLE CARRE DECO**

Built-in accessories for different types of wall available, see accessories.  
 Select the correct driver, see accessories.  
 Lamps not included, consult light source guide for our advice.



406

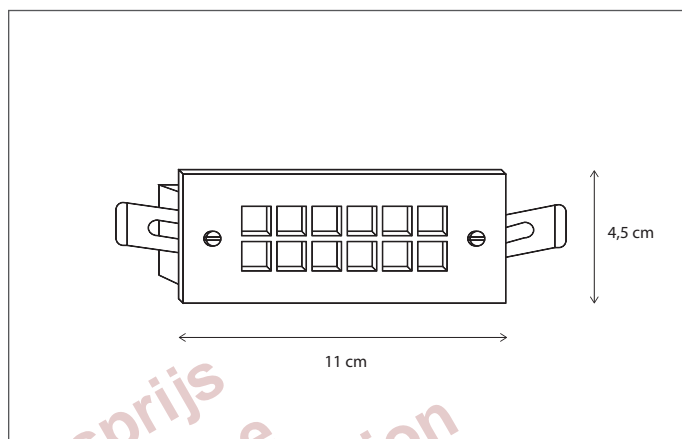
CODE	TYPE	FINISH	WATT	VOLT	FITTING
GR1001003	Grille carré déco	Bronze	4	12	G4
GR1101003	Grille carré déco	Brushed nickel	4	12	G4
GR1201003	Grille carré déco	Chrome	4	12	G4
GR1301003	Grille carré déco	Polished brass	4	12	G4

Vraag uw kortingsprijs  
 Ask your Discount Price  
 Demandez votre prix de Réduction  
 Fragen Sie Ihren Rabatt Preis  
 www.Bcosy.be

OUTDOOR | WALL | GRILLE

WALL | GRILLE LOUNGE

Built-in accessories for different types of wall available, see accessories.  
 Select the correct driver, see accessories.  
 Lamps not included, consult light source guide for our advice.



407

CODE	TYPE	FINISH	WATT	VOLT	FITTING
GRI001002	Grille lounge	Bronze	4	12	G4
GRI101002	Grille lounge	Brushed nickel	4	12	G4
GRI201002	Grille lounge	Chrome	4	12	G4
GRI301002	Grille lounge	Polished brass	4	12	G4

Vraag uw kortingsprijs  
 Ask your Discount Price  
 Demandez votre prix de Réduction  
 Fragen Sie Ihren Rabatt Preis  
 www.Bcosy.be

## Select your driver with following steps

### STEP 1

#### SELECT TYPE OF DRIVER (12V OR 24V)

Collection	Type of driver
Centonze, Marron, Comète, Poire, Fleure, Fleure Twin, Fiston, Monet, Grille, Subtile, Charmond (retrofit), Macro	12V
Matisse, Pipilier, Beautique, Galed, Charmond (integrated), Eclips	24V

### STEP 2

#### CALCULATE TOTAL POWER CONSUMPTION OF THIS CIRCUIT

How many products (N) do you combine on 1 driver?

Total power consumption =  $N \times$  power consumption of 1 product

### STEP 3

#### CALCULATE REQUIRED DRIVER CAPACITY

LED lamp: use maximum 50% of total nominal power of the driver

Halogen lamp: use 100% of total nominal power of the transformer

### STEP 4

#### LOCATION OF THE DRIVER / TRAF0

Indoor, outdoor or in the ground

#### EXAMPLE: Installation of 4 Centonze LED-spot with a bulb of 12W each in a living room

- Step 1** Centonze requires 12V driver
- Step 2** Total power consumption =  $4(N) \times 12W$  (power consumption of 1 product) = 48W
- Step 3** LED lamp, only 50% of driver power can be used. Total required driver capacity is  $2 \times 48W = 96W$
- Step 4** Indoor application (living room)
- Result** Drivers TOETRAP10 (rectangular) or TOETRAR10 (round) can be used

ACCESSORIES | DRIVER / TRANSFORMER



485

CODE	TYPE	LOCATION	DIM	L(cm)	W(cm)	H(cm)
1	TOETRAR60 Transformer IP20 12V 50W	INDOOR	dimnable	Ø5		2
2	LEDRI1250 Transformer IP20 12V 50W	INDOOR	dimnable	7,5	3,5	2,6
3	LEDRW1250 Transformer IP68 12V 50W	GROUND	dimnable	9	9	5
4	TOETRAP60 Transformer IP20 12V 60W	INDOOR	dimnable	8,5	3	2
5	TOETR6560 Transformer IP65 12V 60W	OUTDOOR	dimnable	Ø5,3		2
6	TOETR656L Transformer IP65 12V 60W	OUTDOOR	dimnable	10,4	3	2,1
7	TOETR6860 Transformer IP68 12V 60W	GROUND	dimnable	9	9	5
8	TOETRAP10 Transformer IP20 12V 105W	INDOOR	dimnable	10,5	3,5	2
9	TOETRAR10 Transformer IP20 12V 105W	INDOOR	dimnable	Ø7		2
10	TOETR6510 Transformer IP65 12V 105W	OUTDOOR	dimnable	Ø6,8		2,4
11	TOETR651L Transformer IP65 12V 105W	OUTDOOR	dimnable	13,5	3	2
12	TOETR6810 Transformer IP68 12V 105W	GROUND	dimnable	9	9	5
13	TOEDR2404 Driver constant voltage IP65 24V 4W	OUTDOOR		3,8	2,7	2,1
14	TOEDR2405 Driver constant voltage IP67 24V 5W	OUTDOOR		5,7	5,5	2,4
15	LEDRW2405 Driver constant voltage IP68 24V 5W	GROUND		5,7	5,5	2,4
16	TOEDR2412 Driver constant voltage IP67 24V 12W	OUTDOOR		6,5	3,5	2,2
17	TOEDR2420 Driver constant voltage IP67 24V 20W	OUTDOOR		15,6	2,9	2,1
18	TOEDR2430 Driver constant voltage IP67 24V 30W	OUTDOOR		18,1	2,9	2,1
19	TOEDR2436 Driver constant voltage Triac + push dim IP20 24V 36W	INDOOR	dimnable	17,5	4,5	3
20	TOEDR2445 Driver constant voltage IP67 24V 45W	OUTDOOR		22	2,9	2,1
21	TOEDR2460 Driver constant voltage IP67 24V 60W	OUTDOOR		17,8	6,7	3,8
22	TOEDR2475 Driver constant voltage Triac + push dim IP20 24V 75W	INDOOR	dimnable	20,3	6,2	3,5
23	TOEDR2480 Driver constant voltage IP67 24V 80W	OUTDOOR		15,8	5,3	3,5
24	TOEDR2400 Driver constant voltage IP67 24V 100W	OUTDOOR		21,2	6,7	3,8