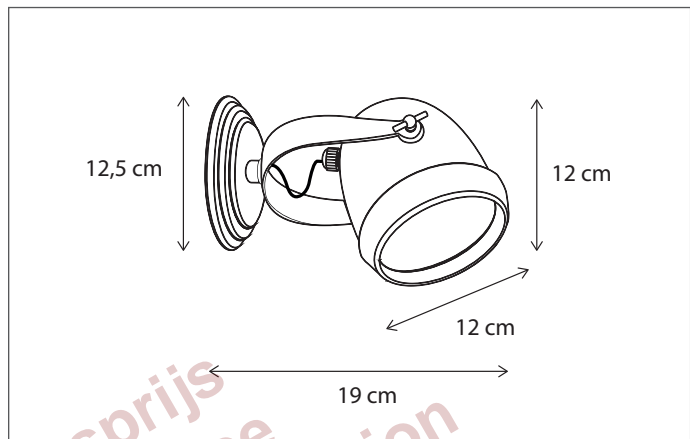


WALL I MACRO MOUNTED BASE



For warmer light, add Kelvin Killer® - see accessories.
Lamps not included, consult light source guide for our advice.



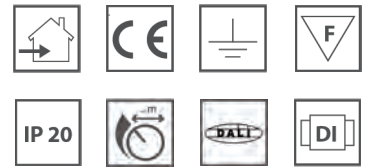
294

CODE	TYPE	FINISH	WATT	VOLT	FITTING
MAC001112	Macro wall	Bronze	12	12	G53
MAC101112	Macro wall	Brushed nickel	12	12	G53
MAC201112	Macro wall	Chrome	12	12	G53

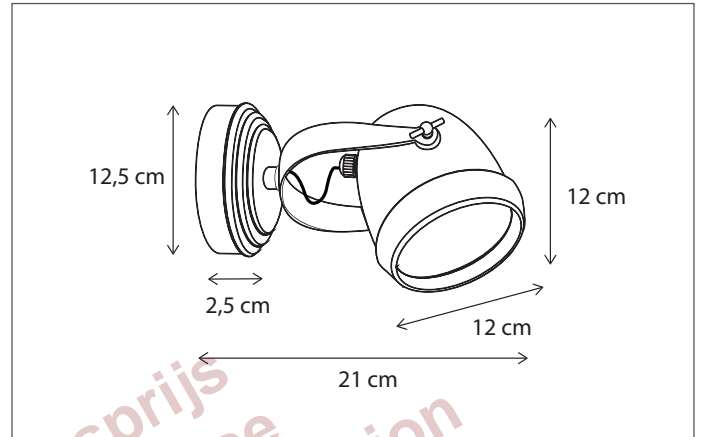
Vraag uw kortingsprijs
Ask your Discount Price
Demandez votre prix de Réduction
Fragen Sie Ihren Rabatt Preis
www.Bcosy.be

INDOOR I WALL I MACRO

WALL | MACRO ON ROUND BASE



For warmer light, add Kelvin Killer® - see accessories.
Lamps not included, consult light source guide for our advice.



295

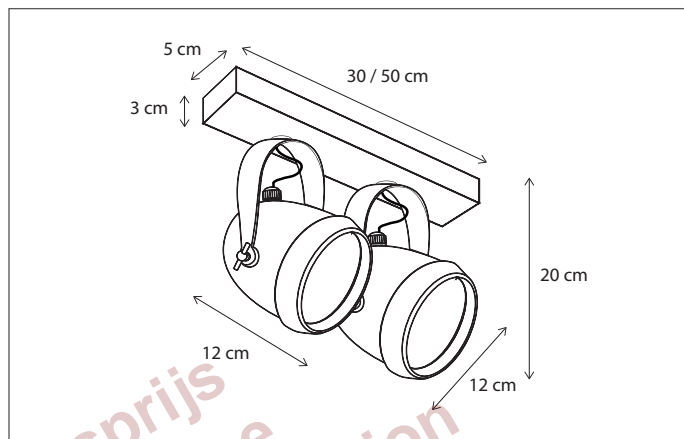
CODE	TYPE	FINISH	WATT	VOLT	FITTING
MAC001221	Macro wall (incl. driver)	Bronze	12	230	G53
MAC101221	Macro wall (incl. driver)	Brushed nickel	12	230	G53
MAC201221	Macro wall (incl. driver)	Chrome	12	230	G53

Vraag uw kortingsprijs
Ask your Discount Price
Demandez votre prix de Réduction
Fragen Sie Ihren Rabatt Preis
www.Bcosy.be

WALL | MACRO ON PROFILE



For warmer light, add Kelvin Killer® - see accessories.
Lamps not included, consult light source guide for our advice.



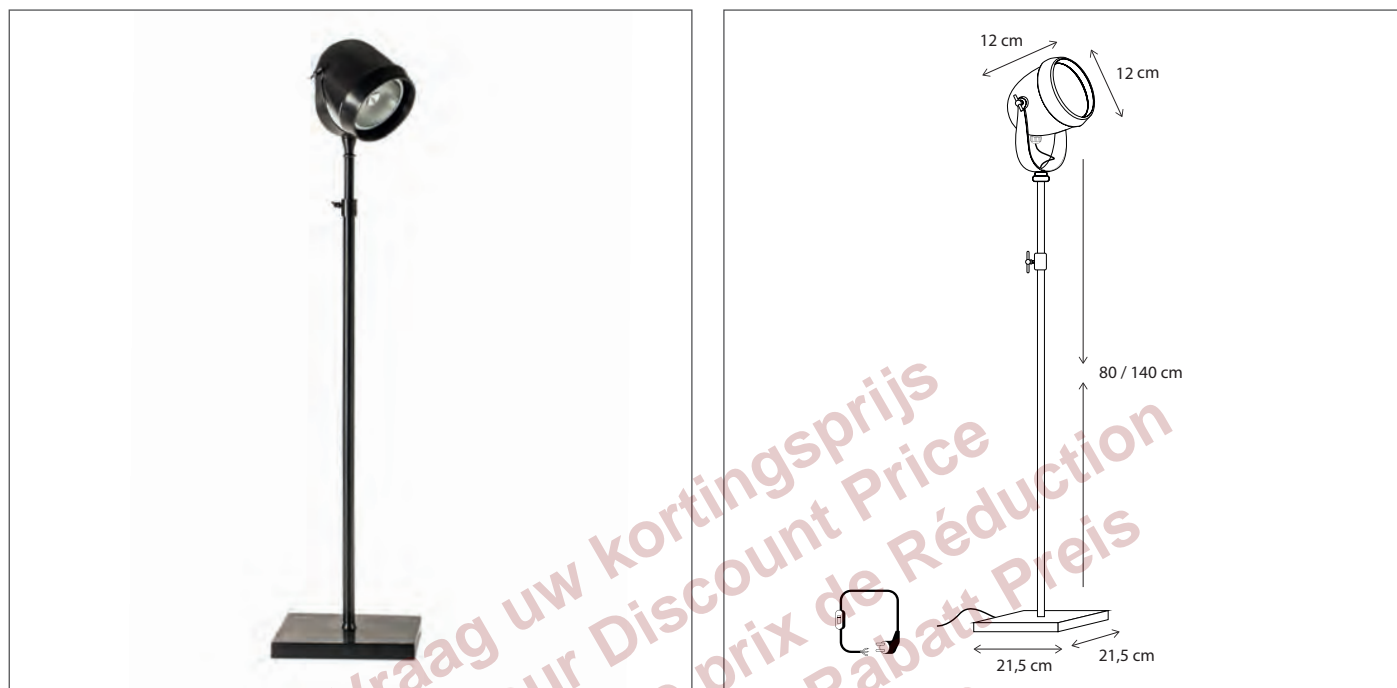
296

CODE	TYPE	FINISH	WATT	VOLT	FITTING
MAC002IP0	Macro on profile 30 cm - 2L	Bronze	2 x 12	230	G53
MAC003IP0	Macro on profile 50 cm - 3L	Bronze	3 x 12	230	G53
MAC102IP0	Macro on profile 30 cm - 2L	Brushed nickel	2 x 12	230	G53
MAC103IP0	Macro on profile 50 cm - 3L	Brushed nickel	3 x 12	230	G53
MAC202IP0	Macro on profile 30 cm - 2L	Chrome	2 x 12	230	G53
MAC203IP0	Macro on profile 50 cm - 3L	Chrome	3 x 12	230	G53

FLOOR | MACRO



For warmer light, add Kelvin Killer® - see accessories.
Lamps not included, consult light source guide for our advice.



361

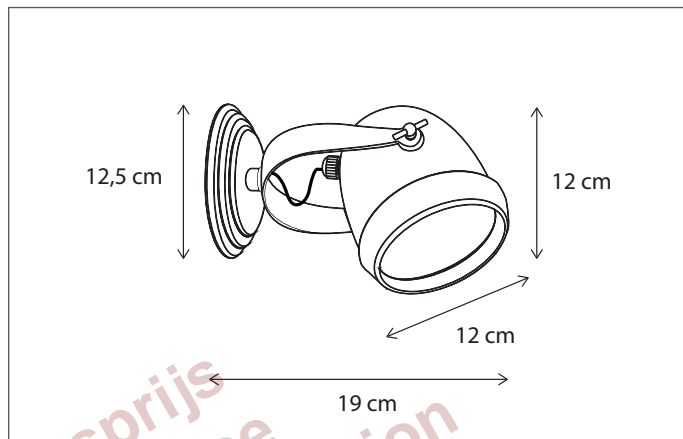
CODE	TYPE	FINISH	WATT	VOLT	FITTING
MAC001FLI	Macro floor	Bronze	12	230	G53
MAC101FLI	Macro floor	Brushed nickel	12	230	G53
MAC201FLI	Macro floor	Chrome	12	230	G53

Vraag uw kortingsprijs
Ask your Discount Price
Demandez votre prix de Réduction
Fragen Sie Ihren Rabatt Preis
www.Bcosy.be

WALL | MACRO MOUNTED BASE



For warmer light, add Kelvin Killer® - see accessories.
Lamps not included, consult light source guide for our advice.

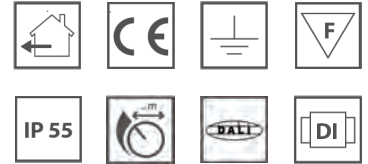


400

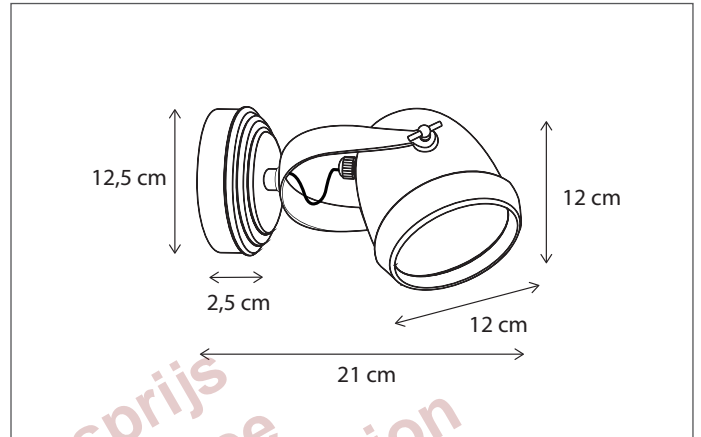
CODE	TYPE	FINISH	WATT	VOLT	FITTING
MAC001A12	Macro wall	Bronze	12	12	G53
MAC101A12	Macro wall	Brushed nickel	12	12	G53
MAC201A12	Macro wall	Chrome	12	12	G53

Vraag uw kortingsprijs
Ask your Discount Price
Demandez votre prix de Réduction
Fragen Sie Ihren Rabatt Preis
www.Bcosy.be

WALL | MACRO ON ROUND BASE



For warmer light, add Kelvin Killer® - see accessories.
Lamps not included, consult light source guide for our advice.



401

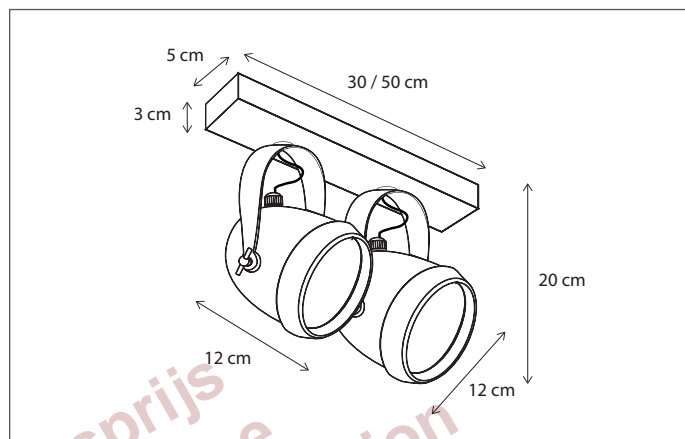
CODE	TYPE	FINISH	WATT	VOLT	FITTING
MAC001A22	Macro wall (driver incl.)	Bronze	12	230	G53
MAC101A22	Macro wall (driver incl.)	Brushed nickel	12	230	G53
MAC201A22	Macro wall (driver incl.)	Chrome	12	230	G53

Vraag uw kortingsprijs
Ask your Discount Price
Demandez votre prix de Réduction
Fragen Sie Ihren Rabatt Preis
www.Bcosy.be

WALL | MACRO ON PROFILE



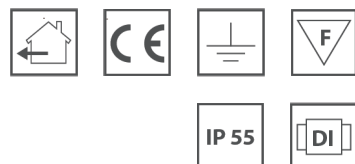
For warmer light, add Kelvin Killer® - see accessories.
Lamps not included, consult light source guide for our advice.



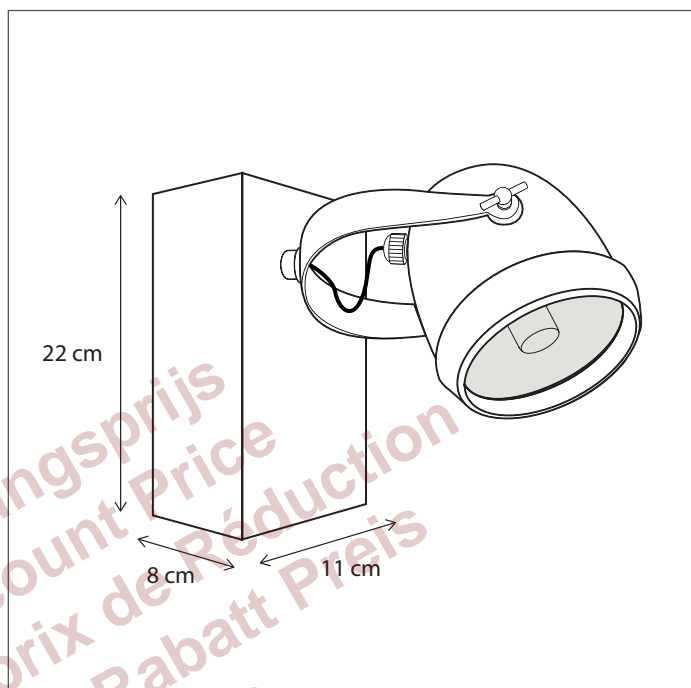
402

CODE	TYPE	FINISH	WATT	VOLT	FITTING
MAC002P22	Macro on profile 30 cm - 2L	Bronze	2 x 12	230	G53
MAC003P22	Macro on profile 50 cm - 3L	Bronze	3 x 12	230	G53
MAC102P22	Macro on profile 30 cm - 2L	Brushed nickel	2 x 12	230	G53
MAC103P22	Macro on profile 50 cm - 3L	Brushed nickel	3 x 12	230	G53
MAC202P22	Macro on profile 30 cm - 2L	Chrome	2 x 12	230	G53
MAC203P22	Macro on profile 50 cm - 3L	Chrome	3 x 12	230	G53

WALL | MACRO POWER PROJECTOR



Suitable for illumination of big objects.
 Standard with CDM-R, LED version available on request.
 Lamps not included, consult light source guide for our advice.



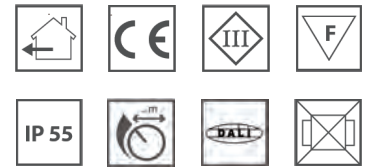
403

CODE	TYPE	FINISH	WATT	VOLT	FITTING
MAC0C1B35	Macro power projector on box	Bronze	35	230	GX8,5
MAC0C1B70	Macro power projector on box	Bronze	70	230	GX8,5
MAC1C1B35	Macro power projector on box	Brushed nickel	35	230	GX8,5
MAC1C1B70	Macro power projector on box	Brushed nickel	70	230	GX8,5
MAC2C1B35	Macro power projector on box	Chrome	35	230	GX8,5
MAC2C1B70	Macro power projector on box	Chrome	70	230	GX8,5

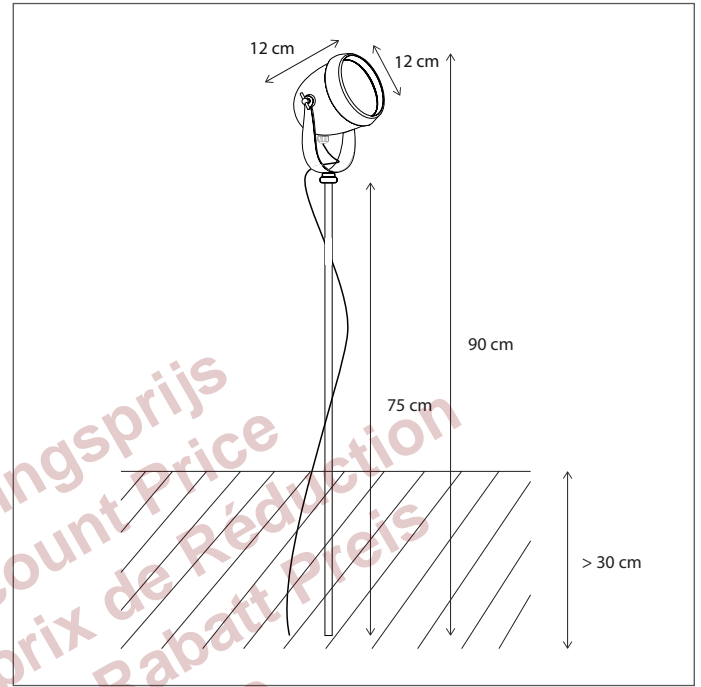


Scan the QR-code & discover how to illuminate big objects!

SPIKE | MACRO



For warmer light, add Kelvin Killer® - see accessories.
 Select the correct driver, see accessories.
 Lamps not included, consult light source guide for our advice.

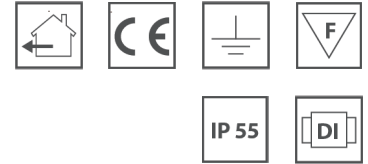


413

CODE	TYPE	FINISH	WATT	VOLT	FITTING
MAC001S12	Macro on spike	Bronze	12	12	G53
MAC101S12	Macro on spike	Brushed nickel	12	12	G53
MAC201S12	Macro on spike	Chrome	12	12	G53

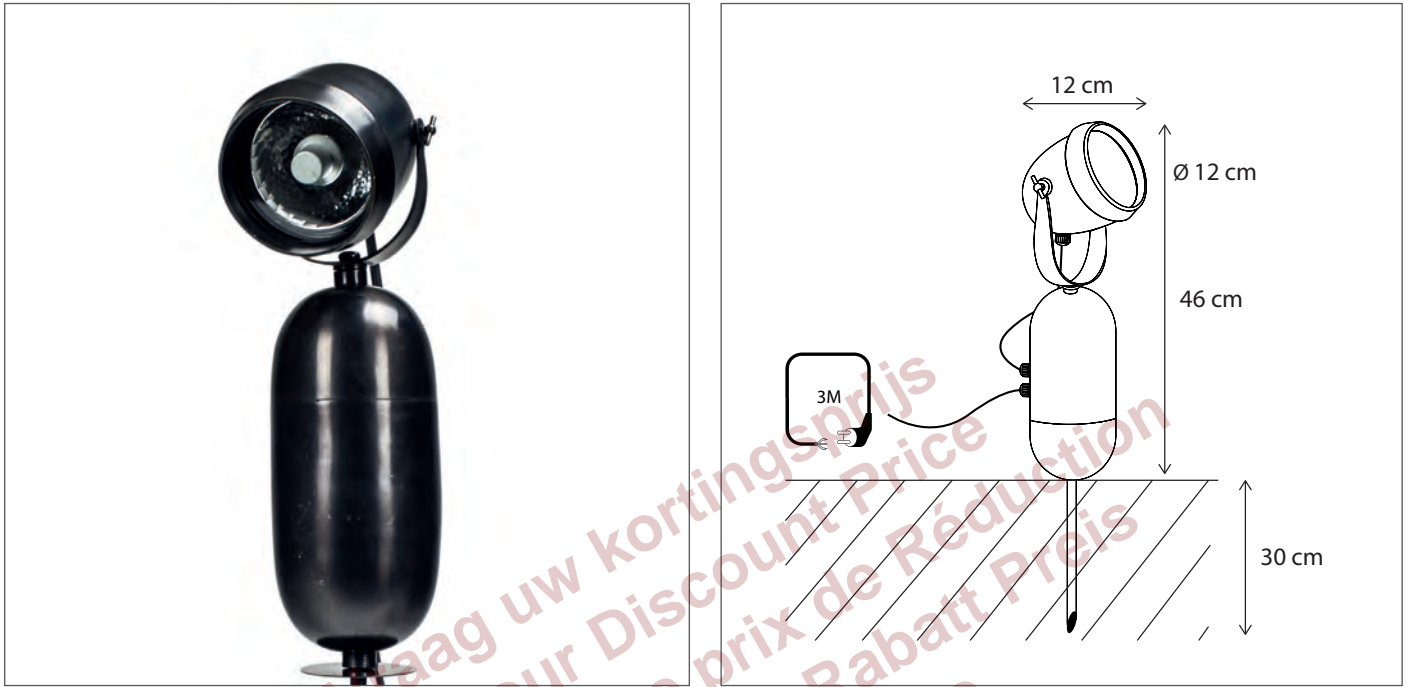
Vraag uw kortingsprijs
 Ask your Discount Price
 Demandez votre prix de Réduction
 Fragen Sie Ihren Rabatt Preis
 www.Bcosy.be

SPIKE I MACRO POWER PROJECTOR



Suitable for illumination of big objects.
 Standard with CDM-R, LED version available on request.
 Lamps not included, consult light source guide for our advice.

416



CODE	TYPE	FINISH	WATT	VOLT	FITTING
MAC0C1P35	Macro power projector	Bronze	35	230	GX8,5
MAC0C1P70	Macro power projector	Bronze	70	230	GX8,5
MAC1C1P35	Macro power projector	Brushed nickel	35	230	GX8,5
MAC1C1P70	Macro power projector	Brushed nickel	70	230	GX8,5
MAC2C1P35	Macro power projector	Chrome	35	230	GX8,5
MAC2C1P70	Macro power projector	Chrome	70	230	GX8,5

OUTDOOR | SPIKE | MACRO

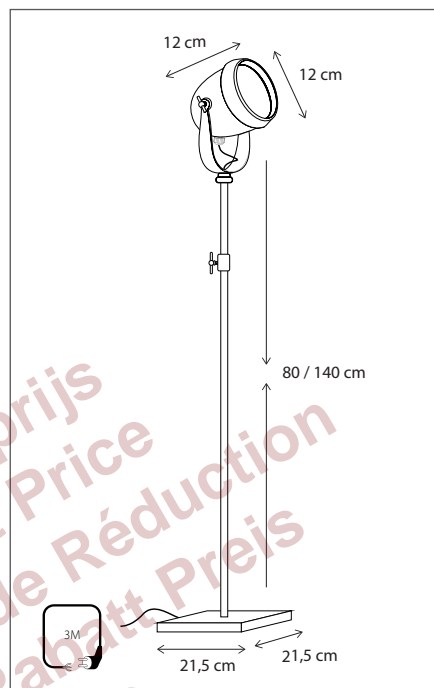


Scan the QR-code & discover how to illuminate big objects!

FLOOR & TABLE | MACRO FLOOR



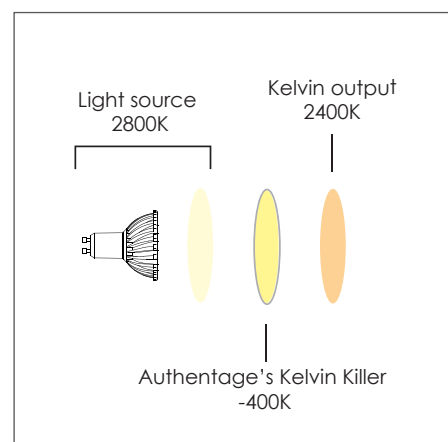
Lamps not included, consult light source guide for our advice.



458

CODE	TYPE	FINISH	WATT	VOLT	FITTING
MAC001FLU	Macro floor outdoor	Bronze	12	230	G53
MAC101FLU	Macro floor outdoor	Brushed nickel	12	230	G53
MAC201FLU	Macro floor outdoor	Chrome	12	230	G53

ACCESSORIES | KELVIN KILLER® / FILTER



CODE	TYPE	EFFECT
MICFROGLA	Frosted glass micro	Enhances light distribution
AURKEL400	Kelvin killer glass aureole	Reduces the light temperature with 400K
BALKEL400	Kelvin killer glass balume	Reduces the light temperature with 400K
CENKEL400	Kelvin killer glass centonze	Reduces the light temperature with 400K
MICKEL400	Kelvin killer glass micro	Reduces the light temperature with 400K
MACKEL400	Kelvin killer glass macro	Reduces the light temperature with 400K
GRAKEL400	Kelvin killer glass gracieuze	Reduces the light temperature with 400K

471

Vraag uw kortingsprijs
Ask your Discount Price
Demandez votre prix de Réduction
Fragen Sie Ihren Rabatt Preis
www.Bcosy.be

Select your driver with following steps

STEP 1

SELECT TYPE OF DRIVER (12V OR 24V)

Collection	Type of driver
Centonze, Marron, Comète, Poire, Fleure, Fleure Twin, Fiston, Monet, Grille, Subtile, Charmond (retrofit), Macro	12V
Matisse, Pipilier, Beautique, Galed, Charmond (integrated), Eclips	24V

STEP 2

CALCULATE TOTAL POWER CONSUMPTION OF THIS CIRCUIT

How many products (N) do you combine on 1 driver?

Total power consumption = $N \times$ power consumption of 1 product

STEP 3

CALCULATE REQUIRED DRIVER CAPACITY

LED lamp: use maximum 50% of total nominal power of the driver

Halogen lamp: use 100% of total nominal power of the transformer

STEP 4

LOCATION OF THE DRIVER / TRAF0

Indoor, outdoor or in the ground

EXAMPLE: Installation of 4 Centonze LED-spot with a bulb of 12W each in a living room

- Step 1** Centonze requires 12V driver
- Step 2** Total power consumption = $4(N) \times 12W$ (power consumption of 1 product) = 48W
- Step 3** LED lamp, only 50% of driver power can be used. Total required driver capacity is $2 \times 48W = 96W$
- Step 4** Indoor application (living room)
- Result** Drivers TOETRAP10 (rectangular) or TOETRAR10 (round) can be used

ACCESSORIES | DRIVER / TRANSFORMER



485

	CODE	TYPE	LOCATION	DIM	L(cm)	W(cm)	H(cm)
1	TOETRAR60	Transformer IP20 12V 50W	INDOOR	dimnable	Ø5		2
2	LEDRI1250	Transformer IP20 12V 50W	INDOOR	dimnable	7,5	3,5	2,6
3	LEDRW1250	Transformer IP68 12V 50W	GROUND	dimnable	9	9	5
4	TOETRAP60	Transformer IP20 12V 60W	INDOOR	dimnable	8,5	3	2
5	TOETR6560	Transformer IP65 12V 60W	OUTDOOR	dimnable	Ø5,3		2
6	TOETR656L	Transformer IP65 12V 60W	OUTDOOR	dimnable	10,4	3	2,1
7	TOETR6860	Transformer IP68 12V 60W	GROUND	dimnable	9	9	5
8	TOETRAP10	Transformer IP20 12V 105W	INDOOR	dimnable	10,5	3,5	2
9	TOETRAR10	Transformer IP20 12V 105W	INDOOR	dimnable	Ø7		2
10	TOETR6510	Transformer IP65 12V 105W	OUTDOOR	dimnable	Ø6,8		2,4
11	TOETR651L	Transformer IP65 12V 105W	OUTDOOR	dimnable	13,5	3	2
12	TOETR6810	Transformer IP68 12V 105W	GROUND	dimnable	9	9	5
13	TOEDR2404	Driver constant voltage IP65 24V 4W	OUTDOOR		3,8	2,7	2,1
14	TOEDR2405	Driver constant voltage IP67 24V 5W	OUTDOOR		5,7	5,5	2,4
15	LEDRW2405	Driver constant voltage IP68 24V 5W	GROUND		5,7	5,5	2,4
16	TOEDR2412	Driver constant voltage IP67 24V 12W	OUTDOOR		6,5	3,5	2,2
17	TOEDR2420	Driver constant voltage IP67 24V 20W	OUTDOOR		15,6	2,9	2,1
18	TOEDR2430	Driver constant voltage IP67 24V 30W	OUTDOOR		18,1	2,9	2,1
19	TOEDR2436	Driver constant voltage Triac + push dim IP20 24V 36W	INDOOR	dimnable	17,5	4,5	3
20	TOEDR2445	Driver constant voltage IP67 24V 45W	OUTDOOR		22	2,9	2,1
21	TOEDR2460	Driver constant voltage IP67 24V 60W	OUTDOOR		17,8	6,7	3,8
22	TOEDR2475	Driver constant voltage Triac + push dim IP20 24V 75W	INDOOR	dimnable	20,3	6,2	3,5
23	TOEDR2480	Driver constant voltage IP67 24V 80W	OUTDOOR		15,8	5,3	3,5
24	TOEDR2400	Driver constant voltage IP67 24V 100W	OUTDOOR		21,2	6,7	3,8