

AVANTI

OUTDOOR DINING

Welcome AVANTI

Discover the AVANTI table – a testament to how design, functionality, and affordability can meet in a single, remarkable piece.

The name 'AVANTI' signifies progression, mirroring the table's innovative design that allows it to expand precisely according to your needs.

A distinctive yet minimalistic look enables this table to complement any chair or to be mixed with the AVANTI Bench.

The AVANTI table is designed with a modular nature, where three predefined lengths can either form individual tables – or be customized to any length by using one or more extension sets. This flexibility supports various arrangements, from cozy café styles to larger group settings.

The angled legs at the corners offer free placement and full usability of the table top surface, maximizing your space.

The AVANTI table and bench frames consist of powder coated black steel tubes, linked with connectors that offer remarkable stability and effortless assembly. The firm feet of AVANTI are an additional detail that refines the design.

Bench- and table tops are available in either thermo ash or pine (FSC® – FSC C153404), completing the modular design.

Designed by Henrik Pedersen



5 year
warranty



uv
protected



weather
resistant



EN581 for
dining table

HOUE

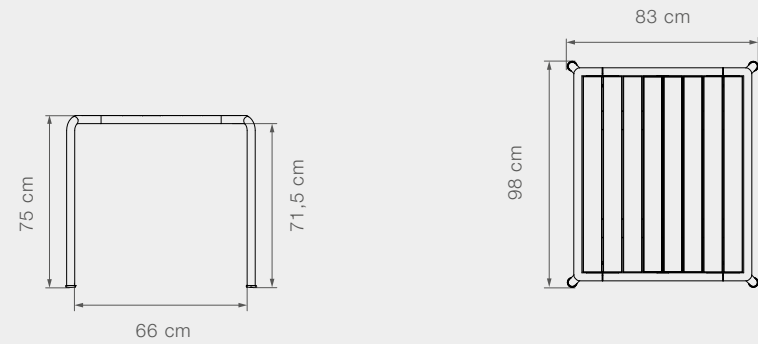


AVANTI

DINING SPECIFICATIONS

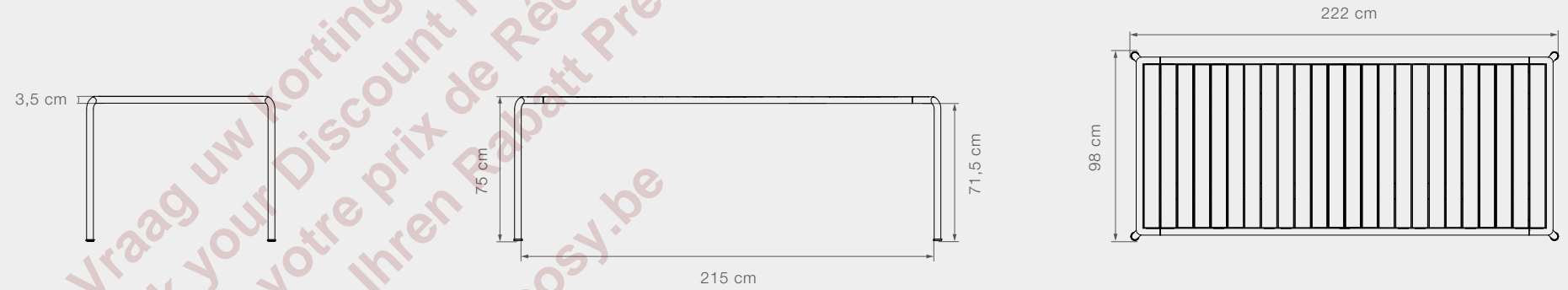
Powder coated black steel frame
 Thermo ash or pine tabletop
 FSC® - FSC C153404
 Maintenance: Oil / Repair lacquer
 *TT = TableTop

24151 AVANTI Dining table



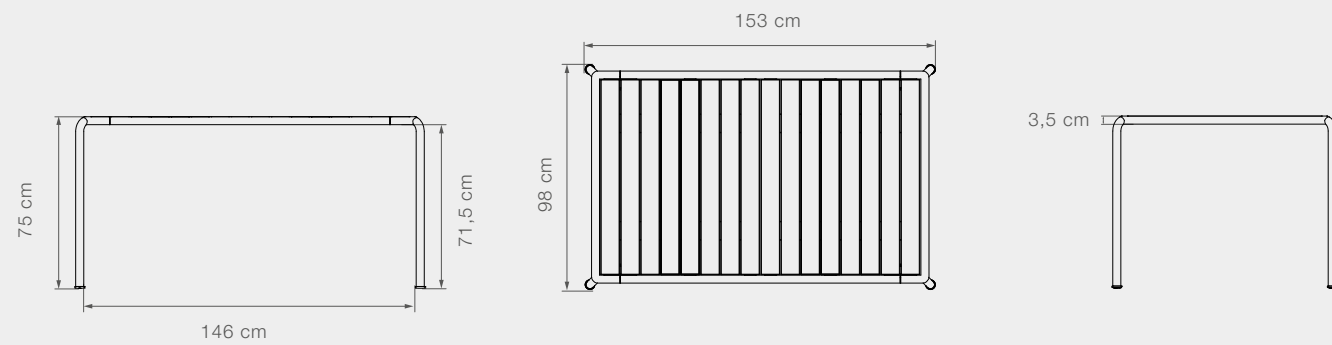
Product weight thermo ash	21 kg // 46,3 lbs	Width	98 cm // 38,6 in	Height under TT*	71,5 cm // 28,1 in	Space legs top	66 cm // 26 in
Product weight pine	19,5 kg // 43 lbs	Length	83 cm // 32,7 in	TT* thickness	3,5 cm // 1,4 in	Tabletop	1 pcs // 8 slats
Tube size	Ø35 mm // 1,4 in	Height	75 cm // 29,5 in	Space legs floor	66 cm // 26 in	Diameter	126,5 cm // 49,8 in

24153 AVANTI Dining table



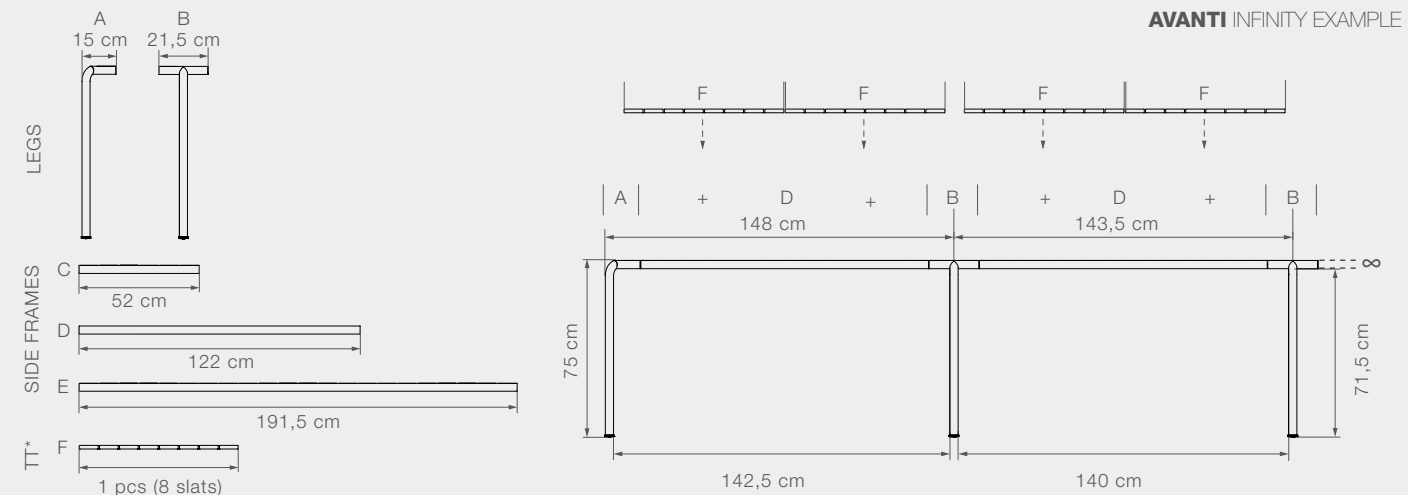
Product weight thermo ash	42 kg // 92,6 lbs	Width	98 cm // 38,6 in	Height under TT*	71,5 cm // 28,1 in	Space legs top	215 cm // 84,6 in
Product weight pine	37,5 kg // 82,7 lbs	Length	222 cm // 87,4 in	TT* thickness	3,5 cm // 1,4 in	Tabletop	3 pcs // 24 slats
Tube size	Ø35 mm // 1,4 in	Height	75 cm // 29,5 in	Space legs floor	215 cm // 84,6 in	Diameter	241,5 cm // 95,1 in

24152 AVANTI Dining table



Product weight thermo ash	31,5 kg // 69,4 lbs	Width	98 cm // 38,6 in	Height under TT*	71,5 cm // 28,1 in	Space legs top	146 cm // 57,5 in
Product weight pine	28,5 kg // 62,8 lbs	Length	153 cm // 60,2 in	TT* thickness	3,5 cm // 1,4 in	Tabletop	2 pcs // 16 slats
Tube size	Ø35 mm // 1,4 in	Height	75 cm // 29,5 in	Space legs floor	146 cm // 57,5 in	Diameter	179,5 cm // 70,7 in

AVANTI INFINITY EXAMPLE



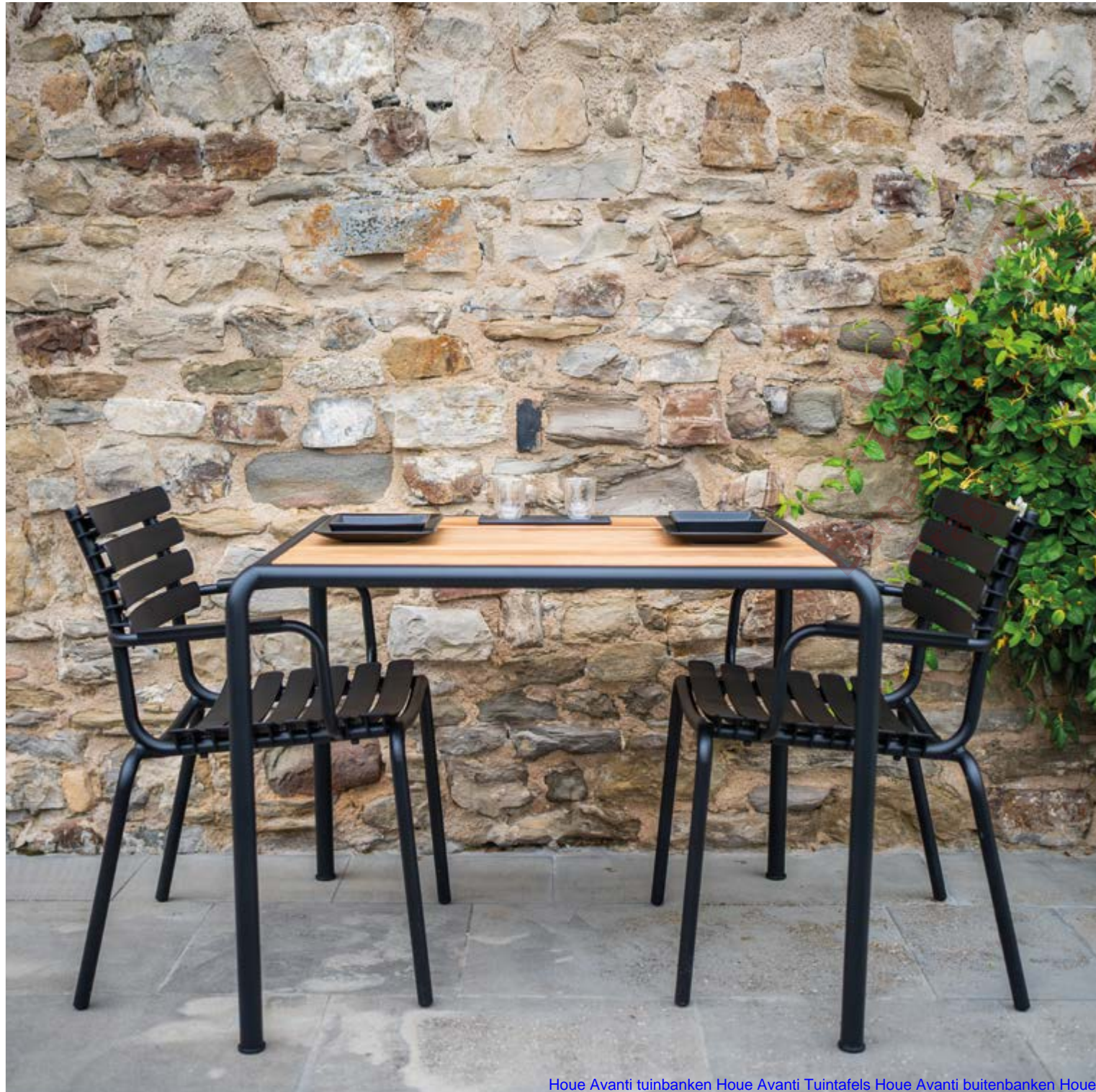
Tube size	Ø35 mm // 1,4 in	C Side frame	52 cm // 20,5 in	Length	148 cm // 58,3 in	Space legs floor/top	142,5 cm // 56,1 in
A Leg	15 cm // 5,9 in	D Side frame	122 cm // 48 in	Length	143,5 cm // 56,5 in	Space legs floor/top	140 cm // 55,1 in
B Center leg	21,5 cm // 8,5 in	E Side frame	191,5 // 75,4 in	Length total	∞ cm // ∞ in	F Tabletop	4 pcs // 32 slats

DESCRIPTION

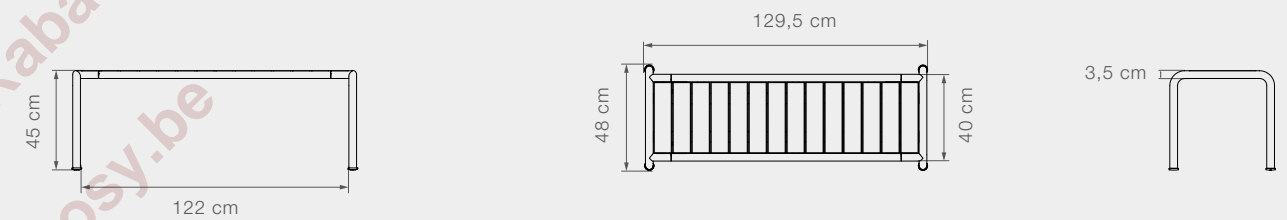
AVANTI

DINING SPECIFICATIONS

Powder coated black steel frame
 Thermo ash or pine seat
 FSC® – FSC C153404
 Maintenance: Oil / Repair lacquer
 *TT = TableTop

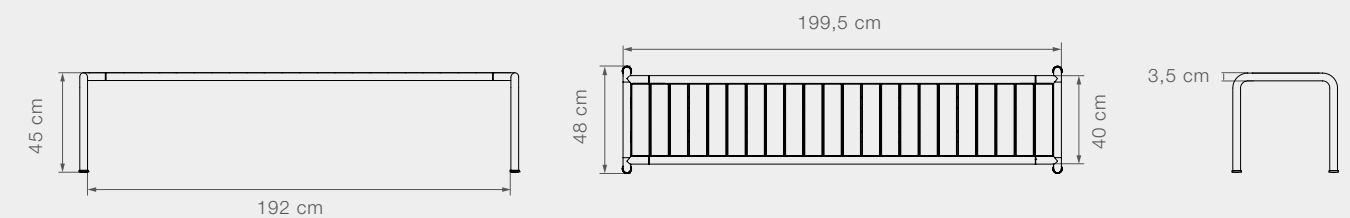


24122 AVANTI Bench



Product weight thermo ash	16,3 kg // 35,9 lbs	Width	48 cm // 18,9 in	Seat width	122 cm // 48 in	Slats used	14 pcs
Product weight pine	14,5 kg // 32 lbs	Length	129,5 cm // 50,8 in	Seat depth	40 cm // 15,7 in	Diameter	137 cm // 53,9 in
Tube size	Ø35 mm // 1,4 in	Height	45 cm // 17,7 in	Seat height	45 // 17,7 in		

24123 AVANTI Bench



Product weight thermo ash	21,7 kg // 47,8 lbs	Width	48 cm // 18,9 in	Seat width	192 cm // 75,6 in	Slats used	22 pcs
Product weight pine	19 kg // 41,9 lbs	Length	199,5 cm // 78,5 in	Seat depth	40 cm // 15,7 in	Diameter	204,5 cm // 80,5 in
Tube size	Ø35 mm // 1,4 in	Height	45 cm // 17,7 in	Seat height	45 // 17,7 in		