

20 24

HOUE

EUR Price list
Technical specifications



02

HOUE · info@houe.com · +45 5378 0800

TERMS & POLICIES

RECOMMENDED RETAIL PRICES IN EUR ALL RIGHTS RESERVED

The prices are valid from January 1st 2024.
All prices include VAT / MWST based on 19%.

The prices are per single item unless otherwise indicated.
Please note that we reserve the right to make changes in the price list.



ASSEMBLY

Most tables, chairs, and loungers require assembly.

CONDITIONS OF SALE

All prices are subject to our standard Conditions of Tender and Sale.

All orders are accepted subject to being charged at the prices valid at the date of dispatch.

WARRANTY

HOUE offers a two or five year warranty on all products. All maintenance instructions must be followed to obtain warranty.

RETURN POLICY

Written authorization must be obtained from HOUE prior to returning any products. Products returned without prior written authorization will be refused. HOUE only accepts the return of a product if it is a manufacturing defect.

Returned products are inspected by our Quality Control Manager and replaced or repaired if the damage is a result of a manufacturing defect. If it is determined not to be a manufacturing defect, the customer, along with the Quality Control Manager will decide which further actions to take.

Returned products will only be accepted if returned in their original packaging.

SPECIFICATIONS

We reserve the right to change specifications and descriptions based on technical developments and the availability of materials.

04

INDEX

OUTDOOR
DINING & LOUNGE

06

ABOUT HOUE

08

NEWS

10

AVANTI

18

CLICK

24

PAON

28

RECLIPS

34

NAMI

40

TABLES

48

TRAY TABLES

54

LEVEL / LEVEL2

66

AVON

72

MOLO

76

PUI

78

TECH SPEC

144

MATERIALS &
MAINTENANCE

HOUE

06

HOUE ApS
Rodelundvej 4A · 8680 Ry · Denmark

info@houe.com
+45 5378 0800

HOUE.COM

the experience of design and affordable high-quality



HOUE is a Danish design house established in 2007 and founded on the Danish furniture tradition. We aim to bring the experience of design and affordable high-quality furniture to our customers.

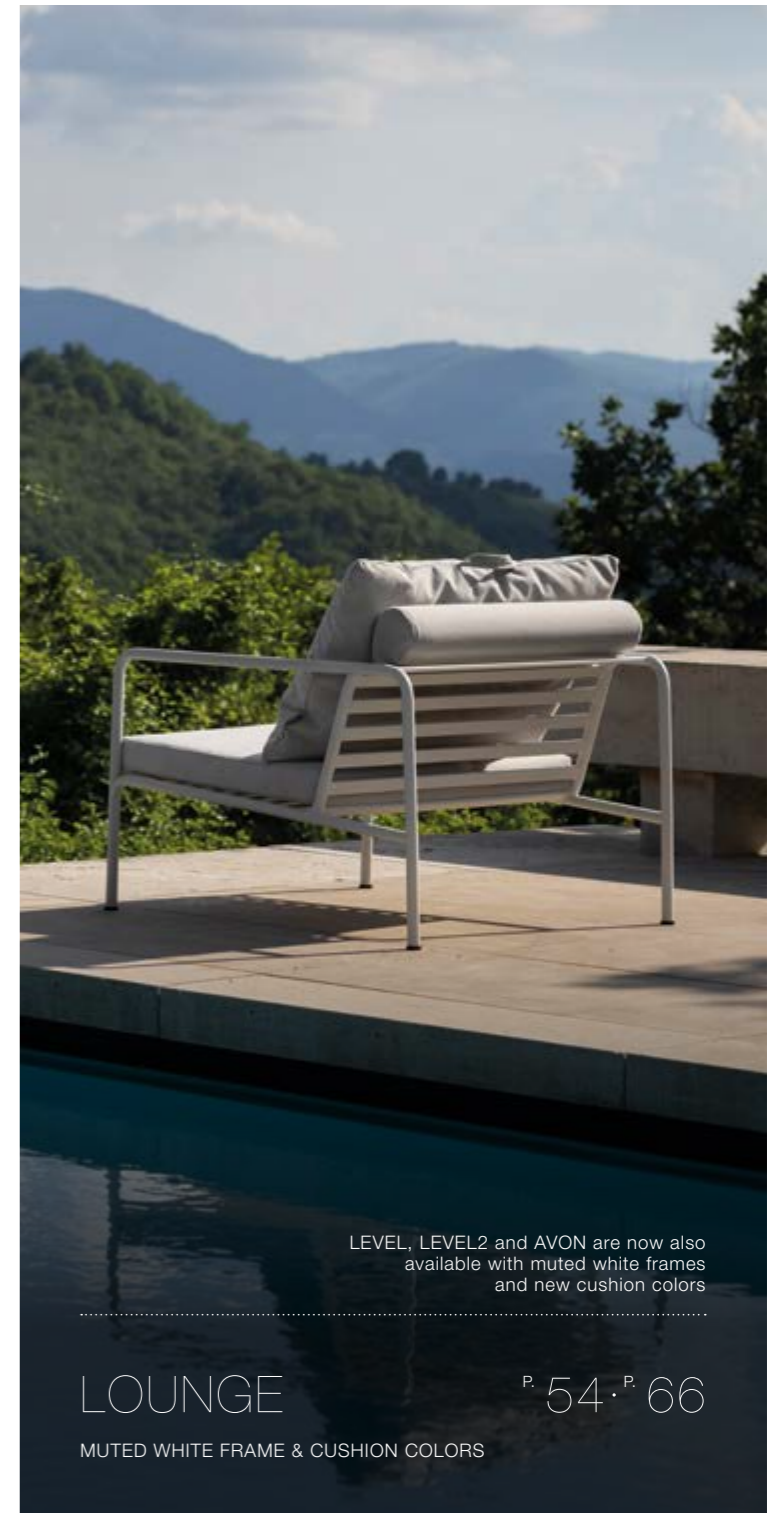
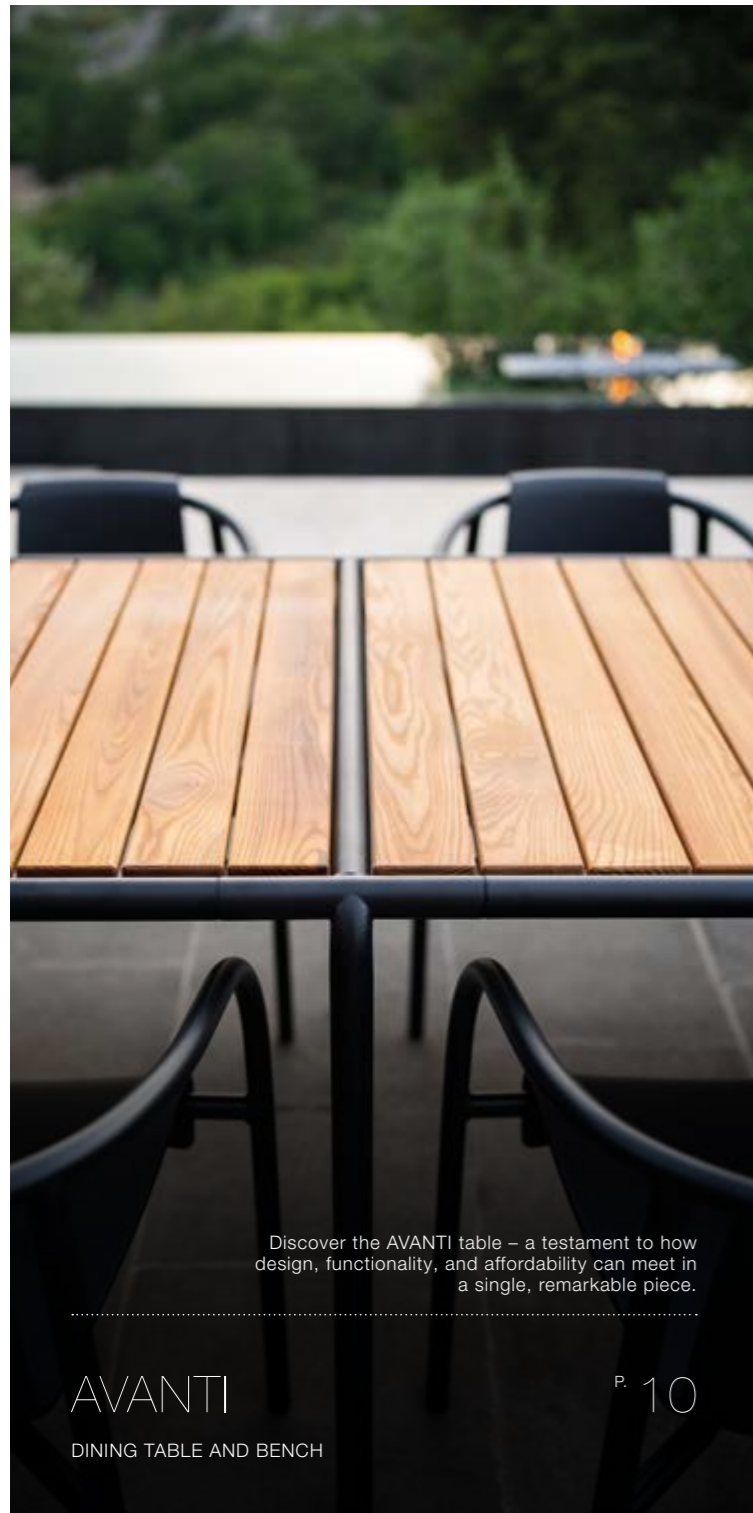
In close cooperation, our designers and experienced development team ensure that every detail, joint, and component is carefully chosen or invented to create a unique product that combines comfort and aesthetics.

HOUE products are manufactured only in well-established factories with whom we have worked closely for several years.

With a commitment to responsible production, our indoor and outdoor collections meet high standards in terms of durability, design, quality, and price. Our thoughtful designs are made to enhance living space with style

08

NEWS



10

NEW

Designed by HENRIK PEDERSEN

AVANTI

OUTDOOR
DINING

Welcome AVANTI

Discover the AVANTI table – a testament to how design, functionality, and affordability can meet in a single, remarkable piece.



12

NEW

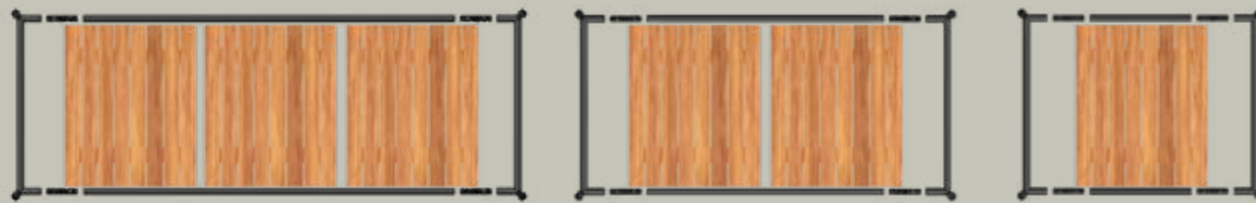
AVANTI

OUTDOOR
DINING

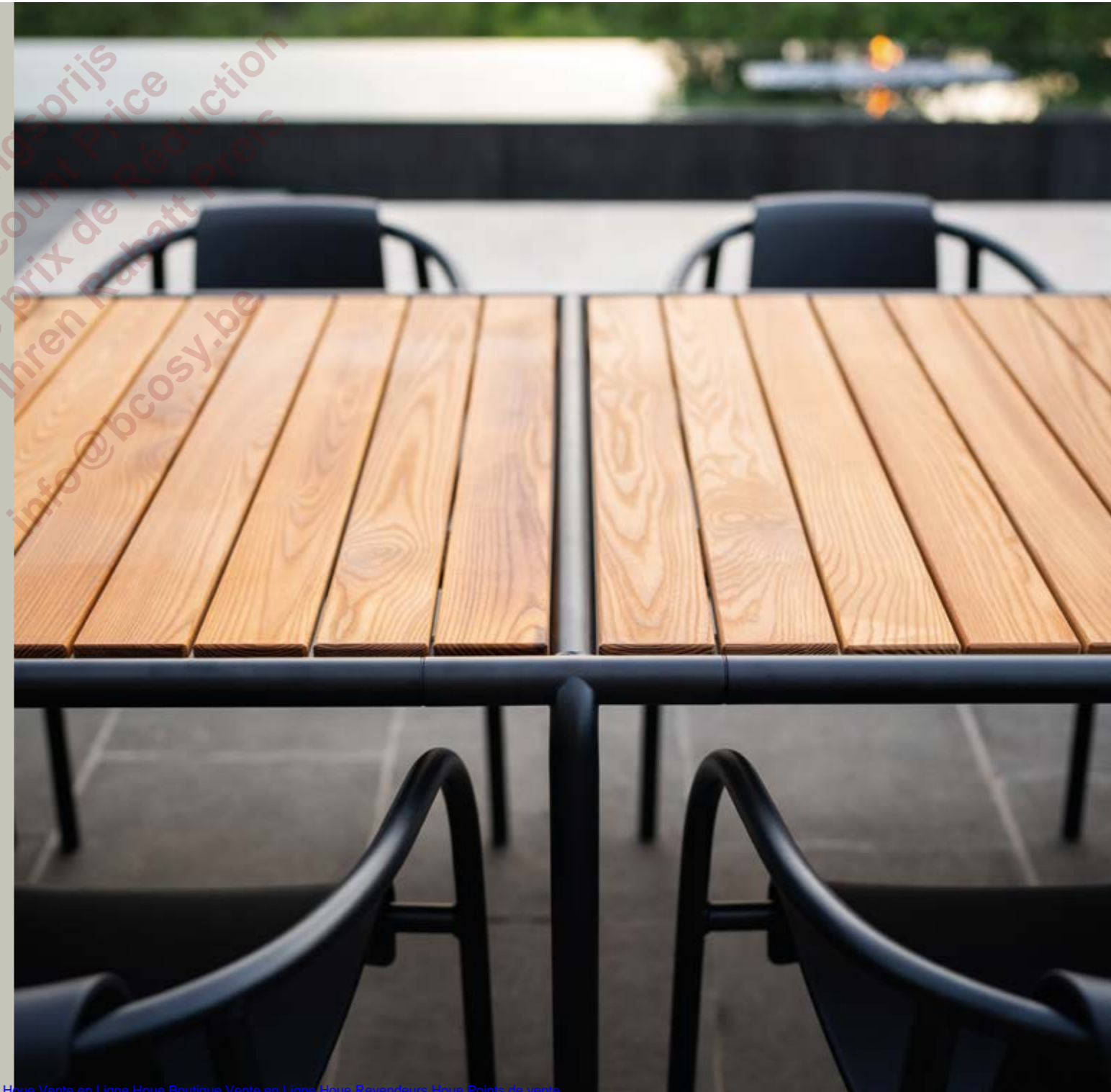
The name 'AVANTI' signifies progression, mirroring the table's innovative design that allows it to expand precisely according to your needs, accommodating any size of occasion and extending to welcome everyone.

A distinctive yet minimalistic look enables this table to complement any chair or to be mixed with the AVANTI Bench.

FROM THREE SIZES



TO INFINITY ...



14

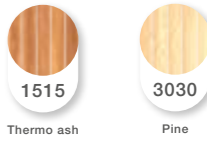
NEW

COLORS

AVANTI

OUTDOOR DINING

Powder coated black steel frame
Thermo ash or pine tabletop
FSC® – FSC C153404
Maintenance: Oil / Repair lacquer
xxxx = color code



AVANTI	24151-XXXX-12
Type	Dining table, seats up to 4 persons
Size	83x98 cm // 32,7x38,6 in
Frame	Powder coated black steel
Tabletop	Thermo ash or pine
Thermo ash	
RRP in EUR · €799	RRP ex VAT · €671
Pine	
RRP in EUR · €699	RRP ex VAT · €587



AVANTI	24152-XXXX-12
Type	Dining table, seats up to 6 persons
Size	153x98 cm // 60,2x38,6 in
Frame	Powder coated black steel
Tabletop	Thermo ash or pine
Thermo ash	
RRP in EUR · €1.149	RRP ex VAT · €965
Pine	
RRP in EUR · €999	RRP ex VAT · €839



AVANTI	24153-XXXX-12
Type	Dining table, seats up to 8 persons
Size	222x98 cm // 87,4x38,6 in
Frame	Powder coated black steel
Tabletop	Thermo ash or pine
Thermo ash	
RRP in EUR · €1.649	RRP ex VAT · €1.385
Pine	
RRP in EUR · €1.449	RRP ex VAT · €1.217



AVANTI INFINITY	24161-XXXX-12
Type	Extension set: Center leg, side frame set and tabletop in thermo ash or pine
Thermo ash	
RRP in EUR · €599	RRP ex VAT · €503
Pine	
RRP in EUR · €529	RRP ex VAT · €445



AVANTI INFINITY	24162-XXXX-12
Type	Extension set: Center leg, side frame set and tabletops in thermo ash or pine
Thermo ash	
RRP in EUR · €949	RRP ex VAT · €797
Pine	
RRP in EUR · €809	RRP ex VAT · €680



AVANTI INFINITY	24163-XXXX-12
Type	Extension set: Center leg, side frame set and tabletops in thermo ash or pine
Thermo ash	
RRP in EUR · €1.459	RRP ex VAT · €1.226
Pine	
RRP in EUR · €1.249	RRP ex VAT · €1.050



AVANTI	CENTER LEG
Type	Center leg for extension
96-1202-12 Center leg	
RRP in EUR · €279	RRP ex VAT · €234



AVANTI	SIDE FRAMES
Type	Side frames
96-101-12 Side frames for 83x98 cm // 32,7x38,6 in	
RRP in EUR · €79	RRP ex VAT · €66
96-102-12 Side frames for 153x98 cm // 60,2x38,6 in	
RRP in EUR · €179	RRP ex VAT · €150
96-103-12 Side frames for 222x98cm // 87,4x38,6 in	
RRP in EUR · €439	RRP ex VAT · €369



AVANTI	TABLETOPS
Type	Tabletop
96-2401-15 Thermo ash	
RRP in EUR · €249	RRP ex VAT · €209
96-2401-30 Pine	
RRP in EUR · €179	RRP ex VAT · €150



AVANTI	END LEGS
Type	End legs
96-1201-12 End legs	
RRP in EUR · €479	RRP ex VAT · €402



AVANTI	24122-XXXX-12
Type	Bench, medium, seats up to 2 persons
Size	129,5x48 cm // 50,8x18,9 in
Frame	Powder coated black steel
Seat	Thermo ash or pine
Thermo ash	
RRP in EUR · €549	RRP ex VAT · €461
Pine	
RRP in EUR · €499	RRP ex VAT · €419



AVANTI	24123-XXXX-12
Type	Bench, long, seats up to 3 persons
Size	199,5x48 cm // 78,5x18,9 in
Frame	Powder coated black steel
Seat	Thermo ash or pine
Thermo ash	
RRP in EUR · €749	RRP ex VAT · €629
Pine	
RRP in EUR · €649	RRP ex VAT · €545



NEW

18



Designed by HENRIK PEDERSEN

CLICK

OUTDOOR
DINING & LOUNGE

A collection of outdoor chairs made of intelligently designed plastic lamellas combined with powder coated steel and beautiful bamboo parts. The components are carefully composed to give the chair exactly the right strength and resilience, providing excellent cushion-free seating.

CLICK is available in various models, and its wide range of color options ensures that our bestselling series seamlessly matches any requirements and surroundings.



20

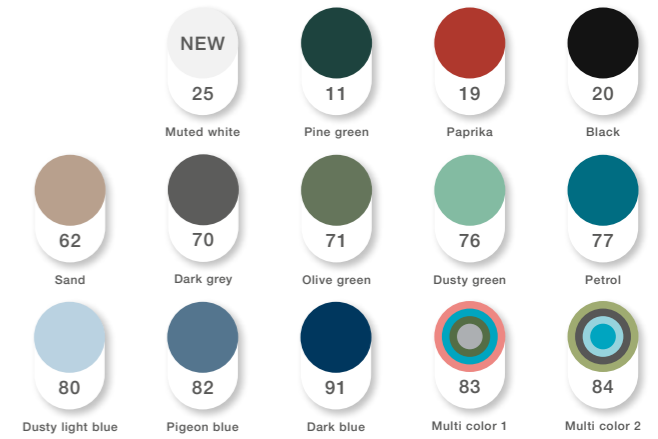
DESCRIPTION

COLORS

CLICK

OUTDOOR
DINING & LOUNGE

Plastic lamellas
Powder coated grey steel frame
Bamboo armrest and runners
Maintenance: Oil / Repair lacquer
xx = lamellas color code



CLICK	10814-XX18
Type	Dining chair without armrest
Armrest	N/A
Lamella	Ø12
Dining chair without armrest	
RRP in EUR	€219
RRP ex VAT	€184



CLICK	10801-XX18
Type	Dining chair
Armrest	Bamboo
Lamella	Ø10
Dining chair	
RRP in EUR	€229
RRP ex VAT	€192



CLICK	10812-XX18
Type	Dining chair tall back
Armrest	Bamboo
Lamella	Ø10
Dining chair tall back	
RRP in EUR	€249
RRP ex VAT	€209



CLICK	10803-XX18
Type	Position chair
Armrest	Bamboo
Lamella	Ø10
Positions	7
Position chair	
RRP in EUR	€399
RRP ex VAT	€335



CLICK	10805-XX18
Type	Sunrocker
Armrest	Bamboo
Lamella	Ø12
Positions	2
Sunrocker	
RRP in EUR	€459
RRP ex VAT	€386



CLICK	10810-XX18
Type	Sunlounger
Armrest	Bamboo
Lamella	Ø12
Positions	7
Sunlounger	
RRP in EUR	€539
RRP ex VAT	€453



CLICK	10811-XX18
Type	Lounge chair
Armrest	Bamboo
Lamella	Ø12
Lounge chair	
RRP in EUR	€399
RRP ex VAT	€335



CLICK	10813-XX18
Type	Footrest
Lamella	Ø10
Footrest	
RRP in EUR	€169
RRP ex VAT	€142



CLICK	10804-XX18
Type	Rocking chair
Armrest and runners	Bamboo
Lamella	Ø12
Rocking chair	
RRP in EUR	€439
RRP ex VAT	€369



CLICK	10818-8418 / 10818-2018
Type	Kids Rocking chair
Armrest and runners	Bamboo
Lamella	Ø10
Age	From 3 years
Kids Rocking chair	
RRP in EUR	€329
RRP ex VAT	€276



SPARE PART	LAMELLA
Type	CLICK lamella
10807-XX CLICK lamella Ø10 / 0,4 in	
RRP in EUR	€1,50
RRP ex VAT - €1,25	
10808-XX CLICK lamella Ø12 mm / 0,5 in	
RRP in EUR	€1,50
RRP ex VAT - €1,25	



24

PAON

OUTDOOR DINING & LOUNGE



A collection of furniture in powder coated steel combined with beautiful bamboo seats.

PAON is French for Peacock, and this bird is the inspiration behind the design of the PAON collection – have a look at the back, and you will notice.

PAON is light Scandinavian in its design with a touch of Victorian romance. The PAON collection is blessed with a seating comfort you would not expect from a furniture made of steel.

Vraag uw korting
Ask your Discount
Demandez votre
Fragen Sie Ihre

Designed by HENRIK PEDERSEN

HOUE



26

DESCRIPTION

COLORS

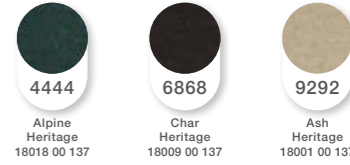
PAON

OUTDOOR
DINING & LOUNGE

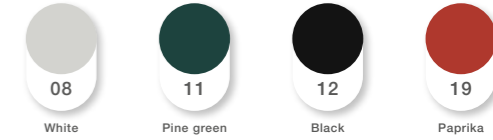
Powder coated steel frame
Bamboo seat and runners
Maintenance: Oil / Repair lacquer




xx = color code




Cushions



Frame



		
PAON 12801-03XX	PAON 12802-03XX	PAON 12803-03XX
Type Seat	Type Seat	Type Seat and runners
Dining chair Bamboo	Lounge chair Bamboo	Rocking chair Bamboo
RRP in EUR	RRP in EUR	RRP in EUR
€229	€359	€419
RRP ex VAT	RRP ex VAT	RRP ex VAT
€192	€302	€352

		
PAON 12804-03XX	PAON 12805-03XX	PAON CUSHIONS
Type Seat	Type Seat	Type Fabric
Bench Bamboo	Bar stool Bamboo	Cushion for Dining/Lounge/Rocking/Bar/Bench Sunbrella Heritage
RRP in EUR	RRP in EUR	12841-XXXX Dining/Lounge/Rocking RRP in EUR · €45
€599	€269	RRP ex VAT · €38
RRP ex VAT	RRP ex VAT	12844-XXXX Bench RRP in EUR · €75
€503	€226	RRP ex VAT · €63
		12845-XXXX Bar chair RRP in EUR · €45
		RRP ex VAT · €38

28

MyTrash
RECLIPS

OUTDOOR
DINING & LOUNGE



ReCLIPS is a collection of chairs with wide lamellas clipped onto a powder coated aluminum frame.

NEW FOR 2024 SEASON – we introduce ReCLIPS Counter chair. Just like the ReCLIPS Bar chair, it is available in black and olive green.

The lamellas are made from Danish household plastic waste and produced in Denmark. The expertise behind recycling plastic from households for furniture production is developed in Denmark. With ReCLIPS, you are essentially witnessing the result of mixing Danish design and Danish innovation, converting this new thinking and material into a chair.

ReCLIPS Dining, Rocking, and Lounge chairs come with the choice of aluminum or bamboo armrests. The aluminum frame, combined with the UV protected plastic lamellas, ensure that maintenance is kept to a minimum.

Designed by HENRIK PEDERSEN

HOUE



30

DESCRIPTION

COLORS

MyTrash
RECLIPS

OUTDOOR
DINING & LOUNGE

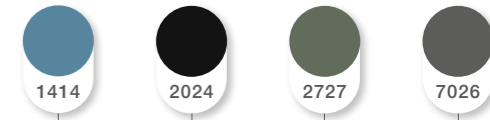
Lamellas made from Danish household plastic waste
Powder coated aluminum frame

Bamboo or powder coated aluminum armrest

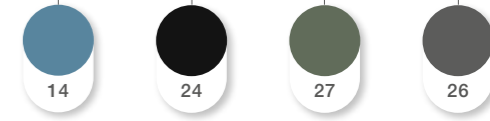
Maintenance: Oil / Repair lacquer

xxxx = lamella and frame color code · yy = armrest color code

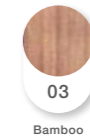
Monocolor



Armrest



Optional armrest



RECLIPS	22302-XXXX-YY
Type	Dining chair
Armrest	Powder coated aluminum
Dining chair	
RRP in EUR	€249
RRP ex VAT	€209

RECLIPS	22302-XXXX-03
Type	Dining chair
Armrest	Bamboo
Dining chair	
RRP in EUR	€249
RRP ex VAT	€209

RECLIPS	22303-XXXX-YY
Type	Rocking chair
Armrest	Powder coated aluminum
Rocking chair	
RRP in EUR	€659
RRP ex VAT	€554

RECLIPS	22303-XXXX-03
Type	Rocking chair
Armrest	Bamboo
Rocking chair	
RRP in EUR	€659
RRP ex VAT	€554

RECLIPS	22306-XXXX-YY
Type	Lounge chair
Armrest	Powder coated aluminum
Lounge chair	
RRP in EUR	€399
RRP ex VAT	€335

RECLIPS	22306-XXXX-03
Type	Lounge chair
Armrest	Bamboo
Lounge chair	
RRP in EUR	€399
RRP ex VAT	€335



RECLIPS	22305-XXXX
Type	Bar chair
Available color	Black and olive green
Bar chair	
RRP in EUR	€269
RRP ex VAT	€226

RECLIPS	NEW 22309-XXXX
Type	Counter chair
Available color	Black and olive green
Counter chair	
RRP in EUR	€259
RRP ex VAT	€218

RECLIPS	22307-2024
Type	Bar stool
Available color	Black
Bar stool	
RRP in EUR	€249
RRP ex VAT	€209

RECLIPS	22308-XXXX
Type	Footrest
Footrest	
RRP in EUR	€189
RRP ex VAT	€159

SPARE PART	LAMELLA
Type	ReCLIPS lamella
22321-XX Center lamella	RRP in EUR · €3
22322-XX End lamella	RRP in EUR · €3
	RRP ex VAT · €2,50

SPARE PART	ARMREST
Type	ReCLIPS Aluminum and bamboo armrest
Quantity	Set of two armrest
93-0070-XX Aluminum Dining	93-0080-XX Aluminum Rocking/Lounge
RCP in EUR · €8	RCP in EUR · €11
RCP ex VAT · €6,50	RCP ex VAT · €9
93-0070-03 Bamboo Dining	93-0080-03 Bamboo Rocking/Lounge
RCP in EUR · €8	RCP in EUR · €11
RCP ex VAT · €6,50	RCP ex VAT · €9



34

MyTrash
NAMI

OUTDOOR
DINING & LOUNGE



NAMI collection consists of two dining chairs, a lounge chair and a café table.

The shell and tabletop are made from Danish household plastic waste and produced in Denmark.

The elegant curves in the shell are designed to resemble a wave washing over a beach. NAMI means wave and emphasizes the organic expression found in these stylish garden chairs.

The design is based on the forces and lines of nature and finds its natural place outdoors exposed to wind and weather.

The beautiful, molded NAMI shell and tabletop contains 97% Danish household plastic waste and 3% color pigment, and the frame is powder coated steel.

NAMI chairs are EU Ecolabel certified.

Designed by HANS THYGE & CO.

HOUE



36

DESCRIPTION

COLORS

MyTrash
NAMI

OUTDOOR
DINING & LOUNGE

Shell and tabletop made from Danish household plastic waste

Powder coated steel frame

Maintenance: Repair lacquer

xxxx = color code

Monocolor



NAMI	23814-XXXX
Type	Dining chair
Dining chair	
RRP in EUR	€199
RRP ex VAT	€167



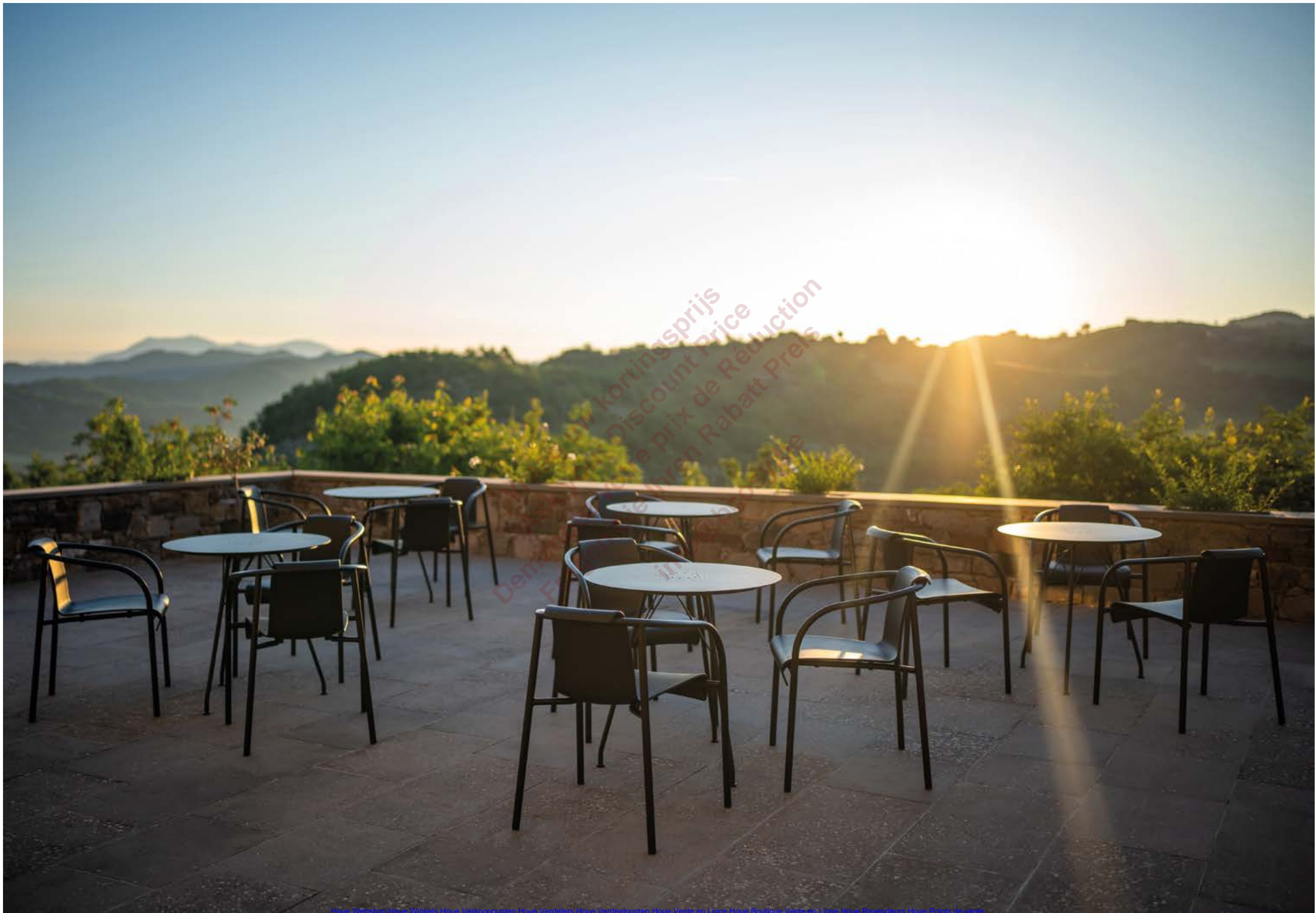
NAMI	23801-XXXX
Type	Dining chair, armrest
Dining chair, armrest	
RRP in EUR	€229
RRP ex VAT	€192



NAMI	23811-XXXX
Type	Lounge chair
Lounge chair	
RRP in EUR	€249
RRP ex VAT	€209



NAMI	23850-XXXX
Type	Café table
Size	Ø65 cm // 25,6 in
Available color	Black and olive green
Café table	
RRP in EUR	€299
RRP ex VAT	€251



Demat
E-shop
www.kortingsprijs
Discount Price
le prix de Réduction
Rabatt Preis

40



Designed by HENRIK PEDERSEN

NAMI table designed by HANS THYGE & CO.

TABLES

OUTDOOR DINING

Combinations of powder coated steel or aluminum, bamboo and Danish household plastic waste create a collection of well-designed outdoor dining tables which all complement HOUE dining chairs perfectly.

In the design process, a lot of effort is put into form and shape to make tables, that not only please the eye, but also give optimal stability and functionality.



42

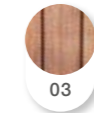
DESCRIPTION

COLORS

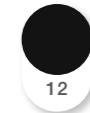
NAMI
Monocolor



Black Olive green



03
Bamboo



12
Black steel



18
Grey steel



24
Black aluminum



26
Grey aluminum

TABLES

OUTDOOR DINING

Powder coated grey or black legs/frame in steel or aluminum

Bamboo, aluminum or Danish household plastic waste tabletop

Granite

Maintenance: Oil / Repair lacquer

xxxx = color code



CIRCLE 11005-0326

Type Dining table, seats up to 6 persons
Size Ø110 cm // 43,3 in
Frame Powder coated grey aluminum
Tabletop Bamboo with granite center stone

Dining table

RRP in EUR €839

RRP ex VAT €705



CIRCLE 11006-0326

Type Dining table, seats up to 8 persons
Size Ø150 cm // 59,1 in
Frame Powder coated grey aluminum
Tabletop Bamboo with granite center stone

Dining table

RRP in EUR €1.199

RRP ex VAT €1.008



LEAF 11601-0318

Type Dining table, seats up to 9 persons
Size 145,5x145,5 cm // 57,3x57,3 in
Frame Powder coated grey steel
Tabletop Bamboo

Dining table

RRP in EUR €999

RRP ex VAT €839



SKETCH 10705-0318

Type Dining table, seats up to 6 persons
Size 160x89 cm // 63x35 in
Frame Powder coated grey steel
Tabletop Bamboo

Dining table

RRP in EUR €899

RRP ex VAT €755



SKETCH 10716-0318

Type Dining table, seats up to 8 persons
Size 220x89 cm // 86,6x35 in
Frame Powder coated grey steel
Tabletop Bamboo

Dining table

RRP in EUR €1.049

RRP ex VAT €882



NAMI 23850-XXXX

Type Café table
Size Ø65 cm // 25,6 in
Frame Powder coated steel
Tabletop Danish household plastic waste

Café table

RRP in EUR €299

RRP ex VAT €251



CIRCUM 12831-0312

Type Café table
Size Ø73,5 cm // 28,9 in
Frame Powder coated black steel
Tabletop Bamboo

Café table

RRP in EUR €489

RRP ex VAT €411



CIRCUM 12831-2412

Type Café table
Size Ø74 cm // 29,1 in
Frame Powder coated black steel
Tabletop Powder coated black aluminum

Café table

RRP in EUR €489

RRP ex VAT €411



FOUR 12424-0324

Type Bar table, fits ReCLIPS and PAON bar stools
Size 90x90 cm // 35,4x35,4 in
Frame Powder coated black aluminum
Tabletop Bamboo

Bar table

RRP in EUR €1.149

RRP ex VAT €966



FOUR 12425-0324

Type Bar table, fits ReCLIPS and PAON bar stools
Size 160x90 cm // 63x35,4 in
Frame Powder coated black aluminum
Tabletop Bamboo

Bar table

RRP in EUR €1.429

RRP ex VAT €1.201



FOUR 12424-2424

Type Bar table, fits ReCLIPS and PAON bar stools
Size 90x90 cm // 35,4x35,4 in
Frame Powder coated black aluminum
Tabletop Powder coated black aluminum

Bar table

RRP in EUR €1.149

RRP ex VAT €966



FOUR 12425-2424

Type Bar table, fits ReCLIPS and PAON bar stools
Size 160x90 cm // 63x35,4 in
Frame Powder coated black aluminum
Tabletop Powder coated black aluminum

Bar table

RRP in EUR €1.429

RRP ex VAT €1.201

44

DESCRIPTION

COLORS

TABLES

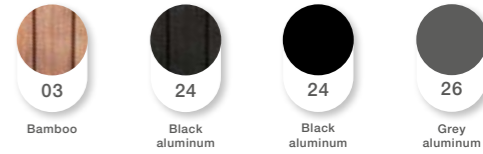
OUTDOOR DINING

Powder coated black or grey aluminum frame

Bamboo or aluminum tabletop

Maintenance: Oil / Repair lacquer

xx = color code



FOUR	12401-03XX
Type	Dining table, seats up to 4 persons
Size	90x90 cm // 35,4x35,4 in
Frame	Powder coated black or grey aluminum
Tabletop	Bamboo
Dining table	
RRP in EUR	€999
RRP ex VAT	€839



FOUR	12402-03XX
Type	Dining table, seats up to 6 persons
Size	160x90 cm // 63x35,4 in
Frame	Powder coated black or grey aluminum
Tabletop	Bamboo
Dining table	
RRP in EUR	€1.199
RRP ex VAT	€1.008



FOUR	12403-03XX
Type	Dining table, seats up to 8 persons
Size	210x90 cm // 82,7x35,4 in
Frame	Powder coated black or grey aluminum
Tabletop	Bamboo
Dining table	
RRP in EUR	€1.449
RRP ex VAT	€1.218



FOUR	12404-03XX
Type	Dining table, seats up to 10 persons
Size	270x90 cm // 106,3x35,4 in
Frame	Powder coated black or grey aluminum
Tabletop	Bamboo
Dining table	
RRP in EUR	€1.799
RRP ex VAT	€1.512



FOUR	12401-2424
Type	Dining table, seats up to 4 persons
Size	90x90 cm // 35,4x35,4 in
Frame	Powder coated black aluminum
Tabletop	Powder coated black aluminum
Dining table	
RRP in EUR	€999
RRP ex VAT	€839



FOUR	12402-2424
Type	Dining table, seats up to 6 persons
Size	160x90 cm // 63x35,4 in
Frame	Powder coated black aluminum
Tabletop	Powder coated black aluminum
Dining table	
RRP in EUR	€1.199
RRP ex VAT	€1.008



FOUR	12403-2424
Type	Dining table, seats up to 8 persons
Size	210x90 cm // 82,7x35,4 in
Frame	Powder coated black aluminum
Tabletop	Powder coated black aluminum
Dining table	
RRP in EUR	€1.449
RRP ex VAT	€1.218



FOUR	12404-2424
Type	Dining table, seats up to 10 persons
Size	270x90 cm // 106,3x35,4 in
Frame	Powder coated black aluminum
Tabletop	Powder coated black aluminum
Dining table	
RRP in EUR	€1.799
RRP ex VAT	€1.512



NEW

FOUR	NEW 12428-00XX
Type	Leg extension for Counter height table – all sizes
Height	18 cm // 7,1 in
Frame	Powder coated black or grey aluminum
Leg extension for Counter height table – all sizes	
RRP in EUR	€69
RRP ex VAT	€58

NEW FOR SEASON 2024

Introducing FOUR Counter height table – a new addition to both home and restaurant dining settings.

Achieving this height is as simple as adding the 18 cm leg extensions to any size of the FOUR Dining tables, transforming it into a stylish FOUR Counter height table.

Any FOUR Dining table + FOUR Leg extension

FOUR Counter height table



FOUR	NEW COUNTER HEIGHT TABLE		
Type	Counter height table		
Size	All sizes		
Frame	Powder coated black or grey aluminum		
Tabletop	Bamboo or powder coated black aluminum		
Counter height table			
90x90 cm	160x90 cm	210x90 cm	270x90 cm
RRP in EUR · €1.068	RRP in EUR · €1.268	RRP in EUR · €1.518	RRP in EUR · €1.868
RRP ex VAT · €897	RRP ex VAT · €1.066	RRP ex VAT · €1.276	RRP ex VAT · €1.570



48



EDGE designed by ROEE MAGDASSI

EYELET designed by HENRIK PEDERSEN

TRAY TABLES

OUTDOOR &
INDOOR LOUNGE

The tray tables can be used in many different ways – individually, as a side table, or in combination with different sizes and colors. Both EYELET and EDGE are easy to move to where they are needed – indoor as well as outdoor.

EYELET is made from powder coated aluminum and steel.
EDGE is made from powder coated steel.



50

NEW

TRAY TABLES

OUTDOOR &
INDOOR LOUNGE

Powder coated steel
Maintenance: Repair lacquer

The half ring shaped handle makes it easy to move the table between the living room and the garden, and when laid down it functions as a table edge, making sure everything stays in place.

EDGE is designed by Roee Magdassi
xxxx = color code




Monocolor

NEW
0808
Muted white

NEW
1212
Black

NEW
4949
Olive green



		
EDGE 10911-XXXX	EDGE 10912-XXXX	EDGE 10913-XXXX
Type Tray table	Type Tray table	Type Tray table
Size Ø46,5/H50 cm // Ø18,3/H19,7 in	Size Ø62/H43 cm // Ø24,4/H16,9 in	Size Ø76/H37 cm // Ø29,9/H14,6 in
Frame Powder coated steel	Frame Powder coated steel	Frame Powder coated steel
Tabletop Powder coated steel	Tabletop Powder coated steel	Tabletop Powder coated steel
Tray table	Tray table	Tray table
RRP in EUR €159	RRP in EUR €239	RRP in EUR €349
RRP ex VAT €134	RRP ex VAT €201	RRP ex VAT €293

52

DESCRIPTION

COLORS

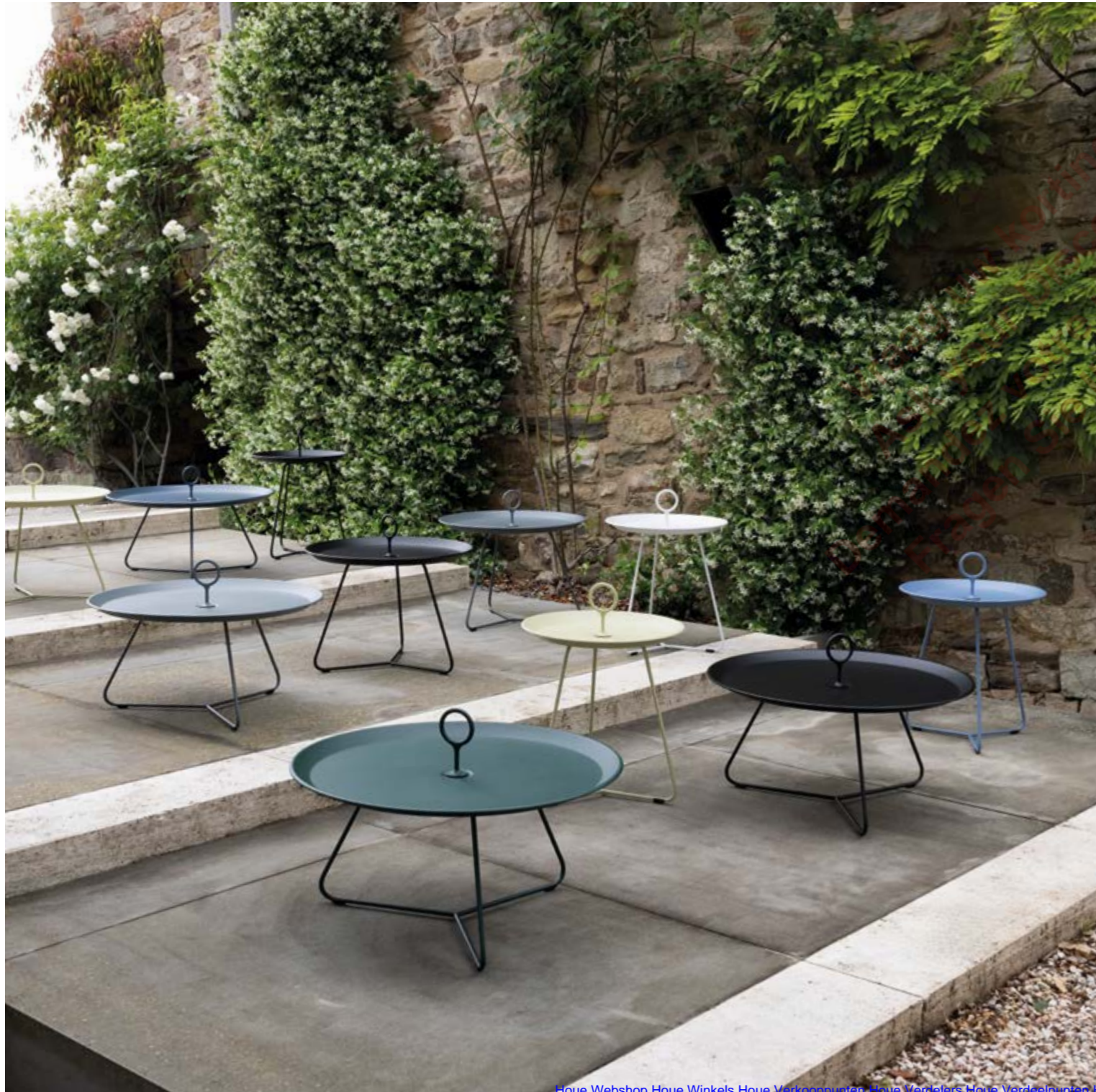
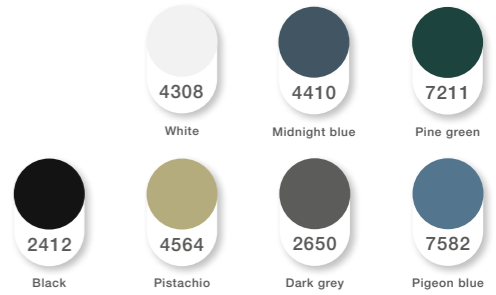
TRAY TABLES

OUTDOOR &
INDOOR LOUNGE

Powder coated steel and aluminum
Maintenance: Repair lacquer

The EYELET Tray table has a special drainage system, which keeps the tray free from water after a rain shower.

EYELET is designed by Henrik Pedersen
xxxx = color code



EYELET	20901-XXXX
Type	Tray table
Size	Ø45/H46,5 cm // Ø17,7/H18,3 in
Frame	Powder coated steel
Tabletop	Powder coated aluminum
Tray table	
RRP in EUR	€119
RRP ex VAT	€100



EYELET	20902-XXXX
Type	Tray table
Size	Ø57,5/H41 cm // Ø22,6/H16,1 in
Frame	Powder coated steel
Tabletop	Powder coated aluminum
Tray table	
RRP in EUR	€179
RRP ex VAT	€150



EYELET	20903-XXXX
Type	Tray table
Size	Ø70/H35 cm // Ø27,6/H13,8 in
Frame	Powder coated steel
Tabletop	Powder coated aluminum
Tray table	
RRP in EUR	€259
RRP ex VAT	€218

54

LEVEL / LEVEL2

OUTDOOR LOUNGE



NEW FOR 2024 SEASON

The lounge collections LEVEL / LEVEL2 are now available with our new color: muted white, for all frames as well as the well-known dark grey.

LEVEL and LEVEL2 modules can be combined in many ways.

Muted white gives the lounge modules a light and clean look that blends into various surroundings – and complements the numerous textile colors available.

The lightweight, powder coated aluminum frame combined with bamboo tables and soft cushions, provides comfortable lounge areas naturally creating a cozy atmosphere anywhere.

Designed by HENRIK PEDERSEN



56

DESCRIPTION

LEVEL

OUTDOOR LOUNGE

Powder coated muted white or dark grey aluminum frame

Cushions in Basic dark grey and Sunbrella Heritage fabric in different colors. Read more on page 144

Maintenance: Repair lacquer

xx = fabric color code · yy = frame color code

Frame

NEW
43

Muted white

51

Dark grey

Fabric

98

Dark grey Basic

57

Sooty grey Natté 10030 140

16

Scarlet Heritage 18022 00 137

17

Rust Heritage 18021 00 137

31

Dijon Heritage 18023 00 137

42

Leaf Heritage 18011 00 137

44

Alpine Heritage 18018 00 137

47

Moss Heritage 18012 00 137

53

Indigo Heritage 18017 00 137

58

Sky Heritage 18016 00 137

64

Slate Heritage 18015 00 137

68

Char Heritage 18009 00 137

92

Ash Heritage 18001 00 137

95

Papyrus Heritage 18006 00 137



LEVEL	12201-XXYY
Type	Corner, right
Cushions	Basic // Sunbrella fabric
Frame	Powder coated aluminum
Basic	
RRP in EUR · €1.599	RRP ex VAT · €1.344
Natté	
RRP in EUR · €1.599	RRP ex VAT · €1.344
Heritage	
RRP in EUR · €1.949	RRP ex VAT · €1.638



LEVEL	12202-XXYY
Type	Corner, left
Cushions	Basic // Sunbrella fabric
Frame	Powder coated aluminum
Basic	
RRP in EUR · €1.599	RRP ex VAT · €1.344
Natté	
RRP in EUR · €1.599	RRP ex VAT · €1.344
Heritage	
RRP in EUR · €1.949	RRP ex VAT · €1.638



LEVEL	12205-XXYY
Type	Chair
Cushions	Basic // Sunbrella fabric
Frame	Powder coated aluminum
Basic	
RRP in EUR · €1.199	RRP ex VAT · €1.008
Natté	
RRP in EUR · €1.199	RRP ex VAT · €1.008
Heritage	
RRP in EUR · €1.499	RRP ex VAT · €1.260



LEVEL	12211-XXYY
Type	Cozy corner, right
Cushions	Basic // Sunbrella fabric
Frame	Powder coated aluminum
Basic	
RRP in EUR · €2.699	RRP ex VAT · €2.268
Heritage	
RRP in EUR · €2.999	RRP ex VAT · €2.520



LEVEL	12212-XXYY
Type	Cozy corner, left
Cushions	Basic // Sunbrella fabric
Frame	Powder coated aluminum
Basic	
RRP in EUR · €2.699	RRP ex VAT · €2.268
Heritage	
RRP in EUR · €2.999	RRP ex VAT · €2.520



LEVEL	12209-XXYY
Type	Chaiselong
Cushions	Basic // Sunbrella fabric
Frame	Powder coated aluminum
Basic	
RRP in EUR · €1.399	RRP ex VAT · €1.176
Heritage	
RRP in EUR · €1.749	RRP ex VAT · €1.470

58

LEVEL2

OUTDOOR LOUNGE

DESCRIPTION

Powder coated muted white or dark grey aluminum frame
 Cushions in Basic dark grey and Sunbrella Heritage fabric in different colors. Read more on page 144
 Maintenance: Repair lacquer
 xx = fabric color code · yy = frame color code

Frame

NEW

43

Muted white

51

Dark grey

Fabric

98

Dark grey Basic

16

Scarlet Heritage 18022 00 137

17

Rust Heritage 18021 00 137

31

Dijon Heritage 18023 00 137

42

Leaf Heritage 18011 00 137

44

Alpine Heritage 18018 00 137

47

Moss Heritage 18012 00 137

53

Indigo Heritage 18017 00 137

58

Sky Heritage 18016 00 137

64

Slate Heritage 18015 00 137

68

Char Heritage 18009 00 137

92

Ash Heritage 18001 00 137

95

Papyrus Heritage 18006 00 137



LEVEL2 22201-XXYY

Type: Corner, right
 Cushions: Basic // Sunbrella fabric
 Frame: Powder coated aluminum

Basic
 RRP in EUR · €1.599 RRP ex VAT · €1.344
Heritage
 RRP in EUR · €1.949 RRP ex VAT · €1.638



LEVEL2 22202-XXYY

Type: Corner, left
 Cushions: Basic // Sunbrella fabric
 Frame: Powder coated aluminum

Basic
 RRP in EUR · €1.599 RRP ex VAT · €1.344
Heritage
 RRP in EUR · €1.949 RRP ex VAT · €1.638



LEVEL2 22205-XXYY

Type: Chair
 Cushions: Basic // Sunbrella fabric
 Frame: Powder coated aluminum

Basic
 RRP in EUR · €1.199 RRP ex VAT · €1.008
Heritage
 RRP in EUR · €1.499 RRP ex VAT · €1.260



LEVEL2 22211-XXYY

Type: Cozy corner, right
 Cushions: Basic // Sunbrella fabric
 Frame: Powder coated aluminum

Basic
 RRP in EUR · €2.699 RRP ex VAT · €2.268
Heritage
 RRP in EUR · €2.999 RRP ex VAT · €2.520



LEVEL2 22212-XXYY

Type: Cozy corner, left
 Cushions: Basic // Sunbrella fabric
 Frame: Powder coated aluminum

Basic
 RRP in EUR · €2.699 RRP ex VAT · €2.268
Heritage
 RRP in EUR · €2.999 RRP ex VAT · €2.520



LEVEL2 22209-XXYY

Type: Chaiselong
 Cushions: Basic // Sunbrella fabric
 Frame: Powder coated aluminum

Basic
 RRP in EUR · €1.399 RRP ex VAT · €1.176
Heritage
 RRP in EUR · €1.749 RRP ex VAT · €1.470

60

DESCRIPTION

LEVEL / LEVEL2

OUTDOOR
LOUNGE

Powder coated muted white or dark grey aluminum frame
Bamboo tabletop

Cushions in Basic dark grey and Sunbrella Heritage fabric in different colors. Read more on page 144

Maintenance: Oil / Repair lacquer

xx = fabric color code · yy = frame color code

Frame

NEW

43

Muted white

51

Dark grey

Fabric

98

Dark grey Basic

57

Sooty grey Natté 10030 140

16

Scarlet Heritage 18022 00 137

17

Rust Heritage 18021 00 137

31

Dijon Heritage 18023 00 137

42

Leaf Heritage 18011 00 137

44

Alpine Heritage 18018 00 137

47

Moss Heritage 18012 00 137

53

Indigo Heritage 18017 00 137

58

Sky Heritage 18016 00 137

64

Slate Heritage 18015 00 137

68

Char Heritage 18009 00 137

92

Ash Heritage 18001 00 137

95

Papyrus Heritage 18006 00 137



LEVEL 12203-XXYY

Type Ottoman
Cushions Basic // Sunbrella fabric
Frame Powder coated aluminum

Basic
RRP in EUR · €579 RRP ex VAT · €487

Natté
RRP in EUR · €579 RRP ex VAT · €487

Heritage
RRP in EUR · €699 RRP ex VAT · €587



LEVEL2 22203-XXYY

Type Ottoman
Cushions Basic // Sunbrella fabric
Frame Powder coated aluminum

Basic
RRP in EUR · €579 RRP ex VAT · €487

Heritage
RRP in EUR · €699 RRP ex VAT · €587



LEVEL / LEVEL2 12204-03YY

Type Coffee table
Size 81x81 cm // 31,9x31,9 in
Tabletop Bamboo
Frame Powder coated aluminum

Coffee table

RRP in EUR €499

RRP ex VAT €419



LEVEL / LEVEL2 12206-03YY

Type Side table
Size 81x40 cm // 31,9x15,7 in
Tabletop Bamboo
Frame Powder coated aluminum

Side table

RRP in EUR €419

RRP ex VAT €352



LEVEL / LEVEL2 COVERS

Type Protection cover for corner and cozy corner, chair, chaiselong and ottoman
Fabric Water repellent 100% polyester

12251/12252 Corner, right/left
RRP in EUR · €75 RRP ex VAT · €63

12253 Ottoman
RRP in EUR · €35 RRP ex VAT · €29,50

12255 Chair
RRP in EUR · €50 RRP ex VAT · €42

LEVEL / LEVEL2 COVERS

12256/12257 Cozy corner, right/left
RRP in EUR · €159 RRP ex VAT · €134

12258 Chaiselong
RRP in EUR · €69 RRP ex VAT · €58

62

DESCRIPTION

LEVEL / LEVEL2

OUTDOOR
LOUNGE

The LEVEL / LEVEL2 collections consists of 4 end modules – 2 corners and 2 cozy corners, left and right, a chair module, a chaiselong module, an ottoman, a coffee table and a side table.

The modules can be combined in many different ways – find your inspiration here.

xx = fabric color code · yy = frame color code

Frame		Fabric							
NEW 43 Muted white	51 Dark grey	98 Dark grey Basic	57 Sooty grey Natté 10030 140	16 Scarlet Heritage 18022 00 137	17 Rust Heritage 18021 00 137	31 Dijon Heritage 18023 00 137	42 Leaf Heritage 18011 00 137	44 Alpine Heritage 18018 00 137	47 Moss Heritage 18012 00 137
53 Indigo Heritage 18017 00 137	58 Sky Heritage 18016 00 137	64 Slate Heritage 18015 00 137	68 Char Heritage 18009 00 137	92 Ash Heritage 18001 00 137	95 Papyrus Heritage 18006 00 137				



01 From RRP €6.415

02 From RRP €4.695



04 From RRP €5.814

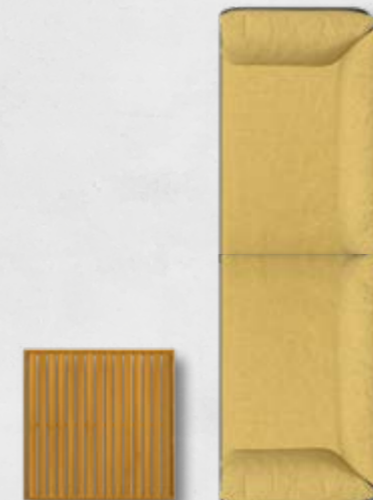


From RRP €5.016 03



06 From RRP €3.377

From RRP €3.697 07



From RRP €4.896 08



05 From RRP €5.296

01	LEVEL / LEVEL2	122C01-XXYY / 222C01-XXYY
	Basic	RRP in EUR · €6.415 RRP ex VAT · €5.391
	Heritage	RRP in EUR · €7.365 RRP ex VAT · €6.189
02	LEVEL / LEVEL2	122C02-XXYY / 222C02-XXYY
	Basic	RRP in EUR · €4.695 RRP ex VAT · €3.946
	Natté *	RRP in EUR · €4.695 RRP ex VAT · €3.946
	Heritage	RRP in EUR · €5.515 RRP ex VAT · €4.634
03	LEVEL / LEVEL2	122C03-XXYY / 222C03-XXYY
	Basic	RRP in EUR · €5.016 RRP ex VAT · €4.215
	Heritage	RRP in EUR · €5.666 RRP ex VAT · €4.791
04	LEVEL / LEVEL2	122C04-XXYY / 222C04-XXYY
	Basic	RRP in EUR · €5.814 RRP ex VAT · €4.887
	Natté *	RRP in EUR · €5.814 RRP ex VAT · €4.887
	Heritage	RRP in EUR · €6.934 RRP ex VAT · €5.827

05	LEVEL / LEVEL2	122C05-XXYY / 222C05-XXYY
	Basic	RRP in EUR · €5.296 RRP ex VAT · €4.451
	Natté *	RRP in EUR · €5.296 RRP ex VAT · €4.451
	Heritage	RRP in EUR · €6.346 RRP ex VAT · €5.333
06	LEVEL / LEVEL2	122C06-XXYY / 222C06-XXYY
	Basic	RRP in EUR · €3.377 RRP ex VAT · €2.839
	Natté *	RRP in EUR · €3.377 RRP ex VAT · €2.839
	Heritage	RRP in EUR · €4.147 RRP ex VAT · €3.485
07	LEVEL / LEVEL2	122C07-XXYY / 222C07-XXYY
	Basic	RRP in EUR · €3.697 RRP ex VAT · €3.107
	Natté *	RRP in EUR · €3.697 RRP ex VAT · €3.107
	Heritage	RRP in EUR · €4.397 RRP ex VAT · €3.695
08	LEVEL / LEVEL2	122C08-XXYY / 222C08-XXYY
	Basic	RRP in EUR · €4.896 RRP ex VAT · €4.115
	Natté *	RRP in EUR · €4.896 RRP ex VAT · €4.115
	Heritage	RRP in EUR · €5.896 RRP ex VAT · €4.955

* Not available for LEVEL 2



66



Designed by HENRIK PEDERSEN

AVON

OUTDOOR LOUNGE

The AVON collection is designed with focus on creating a lounge collection with a very light appearance and a low sleek profile, while maintaining a high level of comfort. The simplicity of the frame, where low lines ensure, that the design always appears stylish, with and without cushions – summer or winter.

NEW FOR 2024 SEASON – Muted white frames and our Basic fabric are available as an addition to numerous colors in Sunbrella Heritage.



68

DESCRIPTION

AVON

OUTDOOR LOUNGE

Powder coated muted white or black steel frame
 Cushions in Basic dark grey and Sunbrella Heritage fabric in different colors. Read more on page 144
 Tabletop in thermo ash FSC® – FSC C153404
 Maintenance: Oil / Repair lacquer
 xx = fabric color code · yy = frame color code

Frame			Fabric		
	NEW 08 Muted white			NEW 98 Dark grey Basic	
	16 Scarlet Heritage 18022 00 137		17 Rust Heritage 18021 00 137		31 Dijon Heritage 18023 00 137
	42 Leaf Heritage 18011 00 137		44 Alpine Heritage 18018 00 137		47 Moss Heritage 18012 00 137
	53 Indigo Heritage 18017 00 137		58 Sky Heritage 18016 00 137		64 Slate Heritage 18015 00 137
	68 Char Heritage 18009 00 137		92 Ash Heritage 18001 00 137		95 Papyrus Heritage 18006 00 137



AVON	14207-XXYY
Type Cushions Frame	2 seater sofa Basic // Sunbrella fabric Powder coated steel
Basic RRP in EUR · €1.699	RRP ex VAT · €1.428
Heritage RRP in EUR · €1.899	RRP ex VAT · €1.596



AVON	14205-XXYY
Type Cushions Frame	Chair Sunbrella fabric Powder coated steel
Basic RRP in EUR · €1.199	RRP ex VAT · €1.008
Heritage RRP in EUR · €1.399	RRP ex VAT · €1.176



AVON	14208-XXYY
Type Cushions Frame	Ottoman Sunbrella fabric Powder coated steel
Basic RRP in EUR · €599	RRP ex VAT · €503
Heritage RRP in EUR · €699	RRP ex VAT · €587



AVON	14208-15YY
Type Tabletop Size Frame	Table Thermo ash FSC® – FSC C153404 81x81,5 cm // 31,9x32,1 in Powder coated steel
Table	
RRP in EUR	€659
RRP ex VAT	€554



AVON	14208-00YY
Type Size Frame	Base for ottoman/table 81x81,5 cm // 31,9x32,1 in Powder coated steel
Base for Ottoman/Table	
RRP in EUR	€459
RRP ex VAT	€386



AVON	COVERS
Type Fabric	Protection cover for 2 seater sofa, chair and ottoman Water repellent 100% polyester
14227 2 seater sofa RRP in EUR · €85	RRP ex VAT · €71,50
14225 Chair RRP in EUR · €65	RRP ex VAT · €54,50
14228 Ottoman RRP in EUR · €45	RRP ex VAT · €38



72



Designed by HENRIK PEDERSEN

MOLO

OUTDOOR LOUNGE

A sunbed with soft rounded bamboo lamellas and a leg-construction in powder coated black steel.

The back of the MOLO Sunbed is adjustable with five different positions. MOLO is versatile and can be used as a daybed too.

NEW FOR 2024 SEASON – MOLO Wheel. Simply attach the wheel set for MOLO to move it around with ease.



74

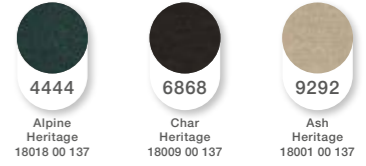
DESCRIPTION

COLORS

MOLO

OUTDOOR
LOUNGE

Sunbed with bamboo lamellas and 5 positions
Powder coated black steel leg-construction
Wheel: Powder coated black aluminum, silicone
Cushions in Sunbrella Heritage fabric
in different colors. Read more on page 144
Maintenance: Oil / Repair lacquer
xxxx = fabric color code



NEW

		
MOLO 13101-0312	MOLO 13121-XXXX	MOLO WHEEL ^{NEW} 13131-2024
Type Lamellas Frame	Type Cushion	Type Color
Sunbed	Cushion	Wheel set
RRP in EUR €849	RRP in EUR €249	RRP in EUR €149
RRP ex VAT €713	RRP ex VAT €209	RRP ex VAT €125

76

NEW

Designed by HENRIK PEDERSEN

PUI

OUTDOOR LOUNGE

PUI is an ideal complement to our outdoor lounge collections. Whether lounging on the MOLO Sunbed or on the LEVEL, LEVEL2 or AVON, this outdoor scatter cushion introduces a touch of both style and comfort.

Sunbrella Heritage fabric is made from 50% recycled Sunbrella acrylic, 47% Sunbrella acrylic and 3% polyester.

xxxx = fabric color code

COLORS



PUI	12241-XXXX
Type Cushions	Scatter cushion – 1 pcs
Size	Removeable Sunbrella fabric with zipper 61x48 cm // 24x18,9 in
Scatter cushion – 1 pcs	
RRP in EUR	€99
RRP ex VAT	€83



PUI	12241-XXXX
Type Cushions	Scatter cushion – 1 pcs
Size	Removeable Sunbrella fabric with zipper 61x48 cm // 24x18,9 in
Scatter cushion – 1 pcs	
RRP in EUR	€99
RRP ex VAT	€83



PUI	12241-XXXX
Type Cushions	Scatter cushion – 1 pcs
Size	Removeable Sunbrella fabric with zipper 61x48 cm // 24x18,9 in
Scatter cushion – 1 pcs	
RRP in EUR	€99
RRP ex VAT	€83



PUI	12241-XXXX
Type Cushions	Scatter cushion – 1 pcs
Size	Removeable Sunbrella fabric with zipper 61x48 cm // 24x18,9 in
Scatter cushion – 1 pcs	
RRP in EUR	€99
RRP ex VAT	€83



PUI	12241-XXXX
Type Cushions	Scatter cushion – 1 pcs
Size	Removeable Sunbrella fabric with zipper 61x48 cm // 24x18,9 in
Scatter cushion – 1 pcs	
RRP in EUR	€99
RRP ex VAT	€83



PUI	12241-XXXX
Type Cushions	Scatter cushion – 1 pcs
Size	Removeable Sunbrella fabric with zipper 61x48 cm // 24x18,9 in
Scatter cushion – 1 pcs	
RRP in EUR	€99
RRP ex VAT	€83

78

TECHNICAL

MEASURES
& SPECIFICATIONS

80

AVANTI

86

CLICK

94

PAON

100

RECLIPS

106

NAMI

110

TABLES

120

TRAY TABLES

126

LEVEL / LEVEL2

132

AVON

138

MOLO

144

MATERIALS &
MAINTENANCE

HOUE

80

AVANTI

OUTDOOR DINING

Welcome AVANTI

Discover the AVANTI table – a testament to how design, functionality, and affordability can meet in a single, remarkable piece.

The name 'AVANTI' signifies progression, mirroring the table's innovative design that allows it to expand precisely according to your needs.

A distinctive yet minimalistic look enables this table to complement any chair or to be mixed with the AVANTI Bench.

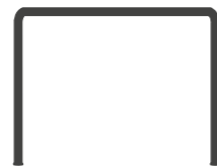
The AVANTI table is designed with a modular nature, where three predefined lengths can either form individual tables – or be customized to any length by using one or more extension sets. This flexibility supports various arrangements, from cozy café styles to larger group settings.

The angled legs at the corners offer free placement and full usability of the table top surface, maximizing your space.

The AVANTI table and bench frames consist of powder coated black steel tubes, linked with connectors that offer remarkable stability and effortless assembly. The firm feet of AVANTI are an additional detail that refines the design.

Bench- and table tops are available in either thermo ash or pine (FSC® – FSC C153404), completing the modular design.

Designed by Henrik Pedersen



5 year warranty



uv protected



weather resistant



EN581 for dining table



HOUE

82

DESCRIPTION

AVANTI

DINING SPECIFICATIONS

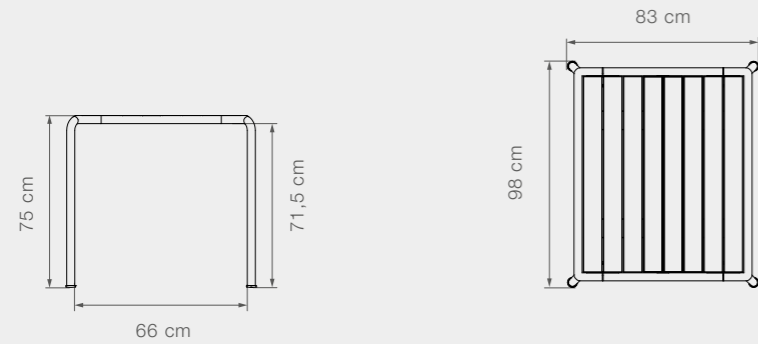
Powder coated black steel frame

Thermo ash or pine tabletop
FSC® - FSC C153404

Maintenance: Oil / Repair lacquer

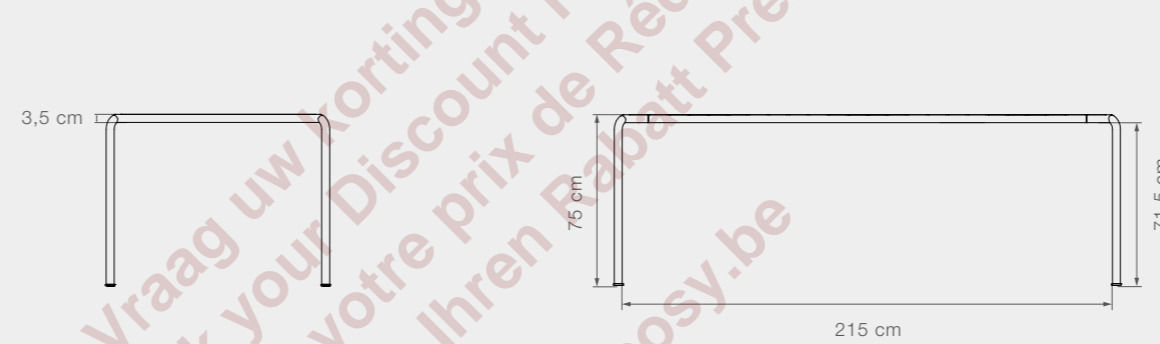
*TT = TableTop

24151 AVANTI Dining table



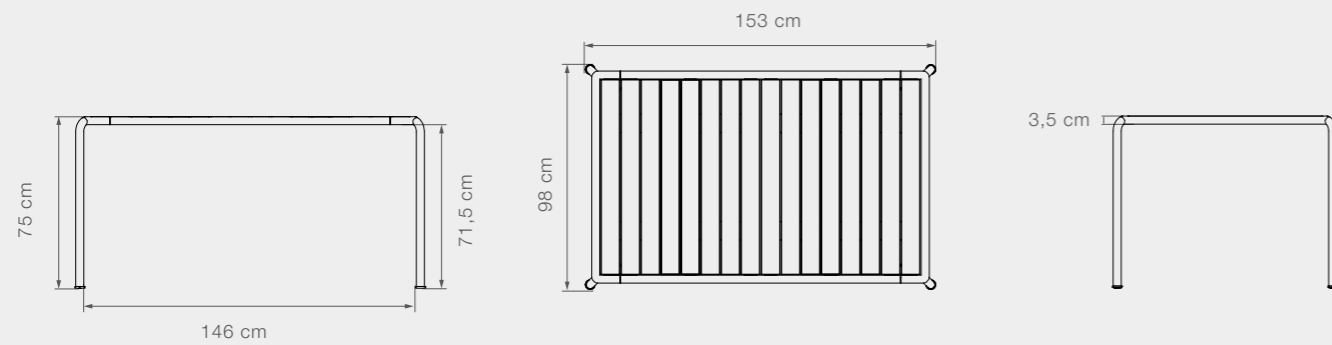
Product weight thermo ash	21 kg // 46,3 lbs	Width	98 cm // 38,6 in	Height under TT*	71,5 cm // 28,1 in	Space legs top	66 cm // 26 in
Product weight pine	19,5 kg // 43 lbs	Length	83 cm // 32,7 in	TT* thickness	3,5 cm // 1,4 in	Tabletop	1 pcs // 8 slats
Tube size	Ø35 mm // 1,4 in	Height	75 cm // 29,5 in	Space legs floor	66 cm // 26 in	Diameter	126,5 cm // 49,8 in

24153 AVANTI Dining table



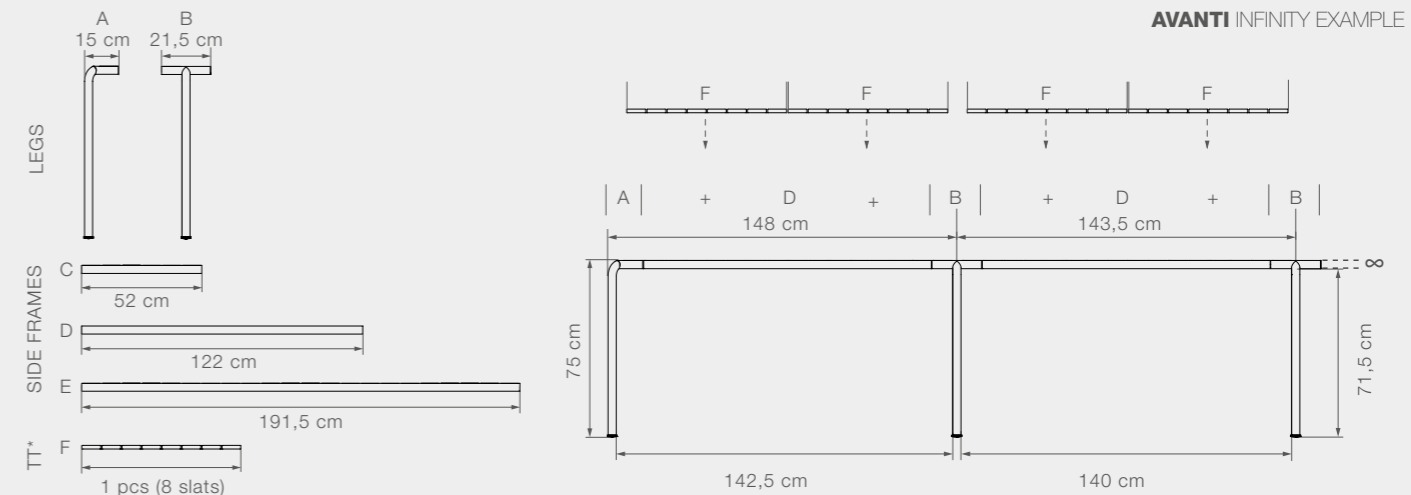
Product weight thermo ash	42 kg // 92,6 lbs	Width	98 cm // 38,6 in	Height under TT*	71,5 cm // 28,1 in	Space legs top	215 cm // 84,6 in
Product weight pine	37,5 kg // 82,7 lbs	Length	222 cm // 87,4 in	TT* thickness	3,5 cm // 1,4 in	Tabletop	3 pcs // 24 slats
Tube size	Ø35 mm // 1,4 in	Height	75 cm // 29,5 in	Space legs floor	215 cm // 84,6 in	Diameter	241,5 cm // 95,1 in

24152 AVANTI Dining table



Product weight thermo ash	31,5 kg // 69,4 lbs	Width	98 cm // 38,6 in	Height under TT*	71,5 cm // 28,1 in	Space legs top	146 cm // 57,5 in
Product weight pine	28,5 kg // 62,8 lbs	Length	153 cm // 60,2 in	TT* thickness	3,5 cm // 1,4 in	Tabletop	2 pcs // 16 slats
Tube size	Ø35 mm // 1,4 in	Height	75 cm // 29,5 in	Space legs floor	146 cm // 57,5 in	Diameter	179,5 cm // 70,7 in

AVANTI INFINITY EXAMPLE



Tube size	Ø35 mm // 1,4 in	C Side frame	52 cm // 20,5 in	Length	148 cm // 58,3 in	Space legs floor/top	142,5 cm // 56,1 in
A Leg	15 cm // 5,9 in	D Side frame	122 cm // 48 in	Length	143,5 cm // 56,5 in	Space legs floor/top	140 cm // 55,1 in
B Center leg	21,5 cm // 8,5 in	E Side frame	191,5 // 75,4 in	Length total	∞ cm // ∞ in	F Tabletop	4 pcs // 32 slats

84

DESCRIPTION

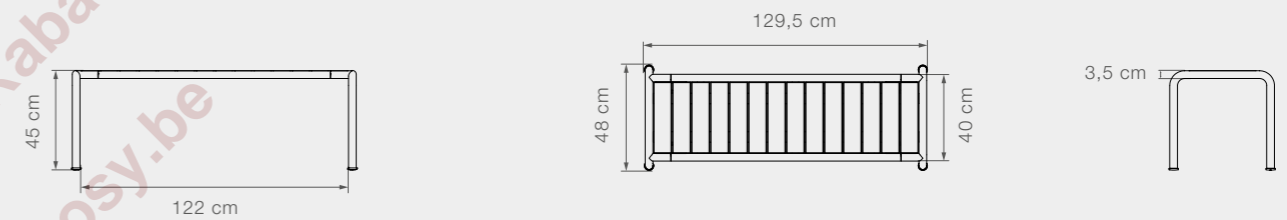
AVANTI

DINING SPECIFICATIONS

Powder coated black steel frame
 Thermo ash or pine seat
 FSC® – FSC C153404
 Maintenance: Oil / Repair lacquer
 *TT = TableTop

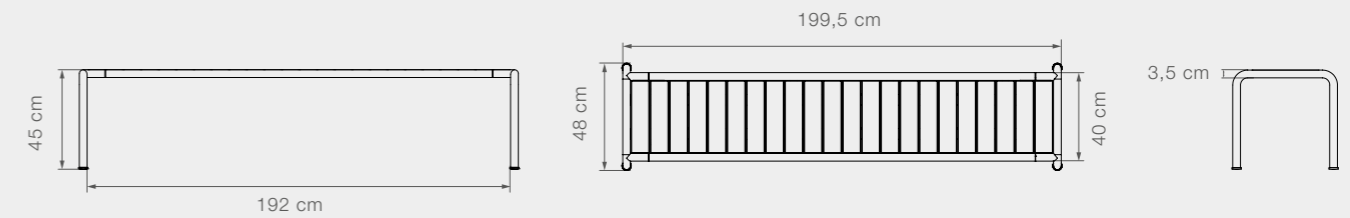


24122 AVANTI Bench



Product weight thermo ash	16,3 kg // 35,9 lbs	Width	48 cm // 18,9 in	Seat width	122 cm // 48 in	Slats used	14 pcs
Product weight pine	14,5 kg // 32 lbs	Length	129,5 cm // 50,8 in	Seat depth	40 cm // 15,7 in	Diameter	137 cm // 53,9 in
Tube size	Ø35 mm // 1,4 in	Height	45 cm // 17,7 in	Seat height	45 // 17,7 in		

24123 AVANTI Bench



Product weight thermo ash	21,7 kg // 47,8 lbs	Width	48 cm // 18,9 in	Seat width	192 cm // 75,6 in	Slats used	22 pcs
Product weight pine	19 kg // 41,9 lbs	Length	199,5 cm // 78,5 in	Seat depth	40 cm // 15,7 in	Diameter	204,5 cm // 80,5 in
Tube size	Ø35 mm // 1,4 in	Height	45 cm // 17,7 in	Seat height	45 // 17,7 in		

86

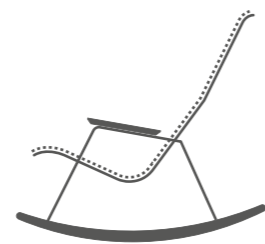
CLICK

OUTDOOR DINING & LOUNGE

CLICK is a collection of outdoor chairs made of intelligently designed plastic lamellas combined with powder coated steel and beautiful bamboo parts.

The lamellas, made from UV protected plastic, can withstand most weather conditions, and minimize maintenance. The CLICK collection is designed with comfort in mind and shaped to provide excellent cushion-free seating.

Designed by Henrik Pedersen



2 year warranty



uv protected



weather resistant



EN581 for dining chair

HOUE



88

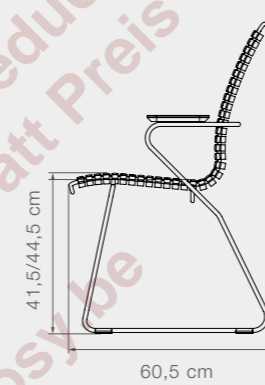
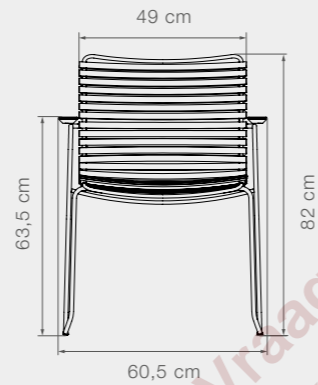
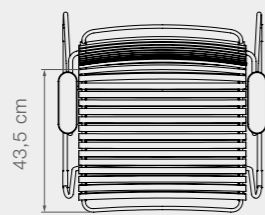
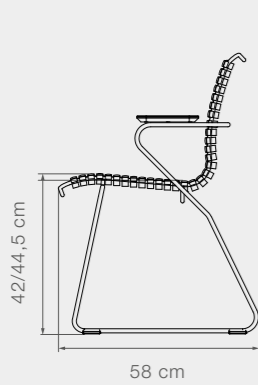
DESCRIPTION

CLICK

DINING & LOUNGE SPECIFICATIONS

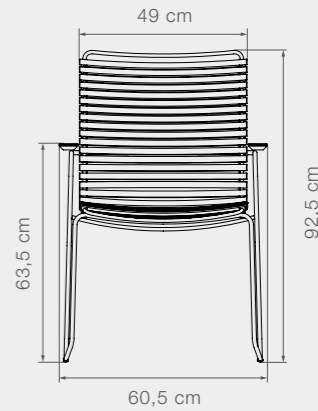
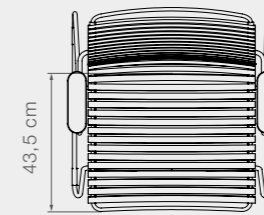
Plastic lamellas
Powder coated grey steel frame
Bamboo armrest
Maintenance: Oil / Repair lacquer

10801 CLICK Dining chair



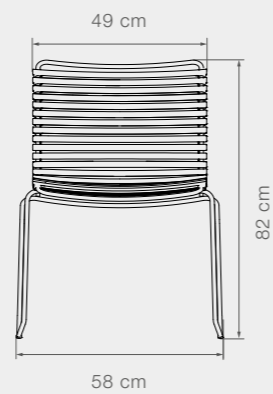
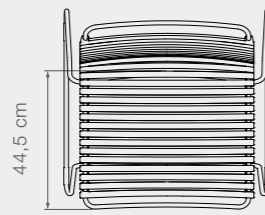
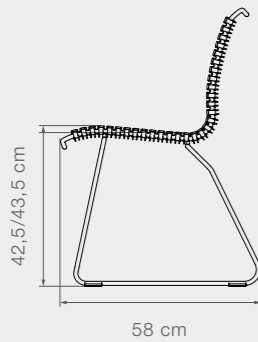
Product weight	7,7 kg // 17 lbs	Width	60,5 cm // 23,8 in	Seat width	49 cm // 19,3 in	Armrest height	63,5 cm // 25 in
Lamella size	Ø10 mm // 0,4 in	Depth	58 cm // 22,8 in	Seat depth	43,5 cm // 17,1 in	Diameter	78 cm // 30,7 in
Lamella used	30 pcs	Height	82 cm // 32,3 in	Seat height	42/44,5 cm // 16,5/17,5 in	Stackable max	6 chairs

10812 CLICK Dining chair tall back



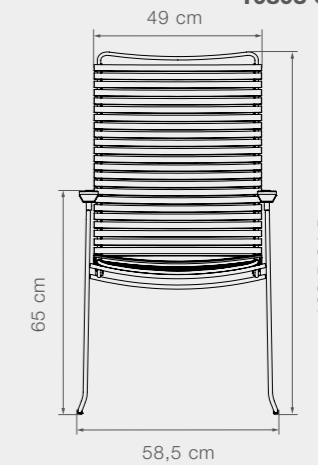
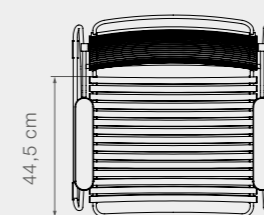
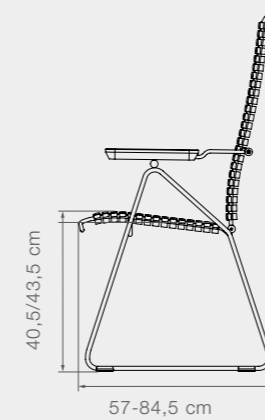
Product weight	8 kg // 17,6 lbs	Width	60,5 cm // 23,8 in	Seat width	49 cm // 19,3 in	Armrest height	63,5 cm // 25 in
Lamella size	Ø10 mm // 0,4 in	Depth	60,5 cm // 23,8 in	Seat depth	43,5 cm // 17,1 in	Diameter	78 cm // 30,7 in
Lamella used	34 pcs	Height	92,5 cm // 36,4 in	Seat height	41,5/44,5 cm // 16,3/17,5 in	Stackable max	6 chairs

10814 CLICK Dining chair without armrest



Product weight	7,3 kg // 16,1 lbs	Width	58 cm // 22,8 in	Seat width	49 cm // 19,3 in	Diameter	78 cm // 30,7 in
Lamella size	Ø12 mm // 0,5 in	Depth	58 cm // 22,8 in	Seat depth	44,5 cm // 17,5 in	Stackable max	6 chairs
Lamella used	30 pcs	Height	82 cm // 32,3 in	Seat height	42,5/43,5 cm // 16,7/17,1 in		

10803 CLICK Position chair



Product weight	9,3 kg // 20,5 lbs	Width	58,5 cm // 23 in	Seat width	49 cm // 19,3 in	Armrest height	65 cm // 25,6 in
Lamella size	Ø10 mm // 0,4 in	Depth	57-84,5 cm // 22,4-33,3 in	Seat depth	44,5 cm // 17,5 in	Diameter	77,5-95,5 cm // 30,5-37,6 in
Lamella used	39 pcs	Height	106,5-94,5 cm // 41,9-37,2 in	Seat height	40,5/43,5 cm // 15,9/17,1 in	Positions	7

90

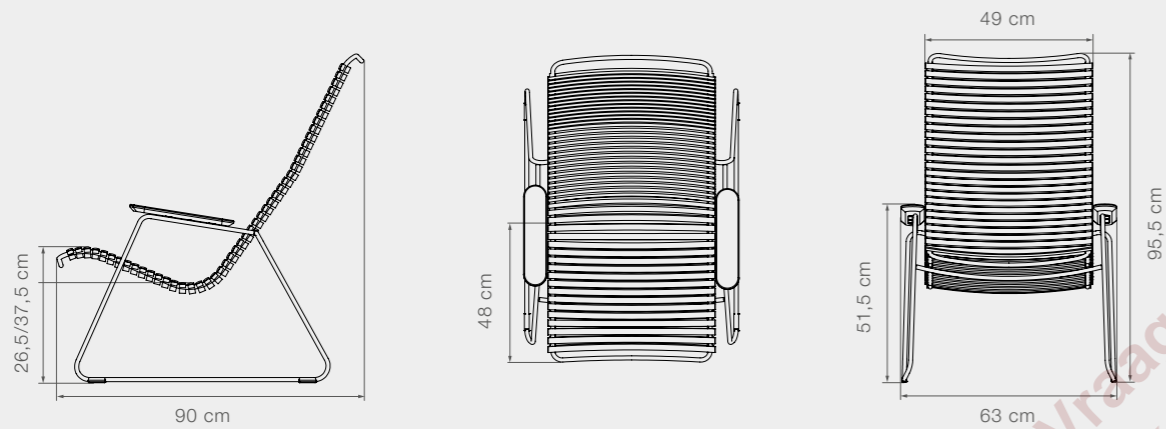
DESCRIPTION

CLICK

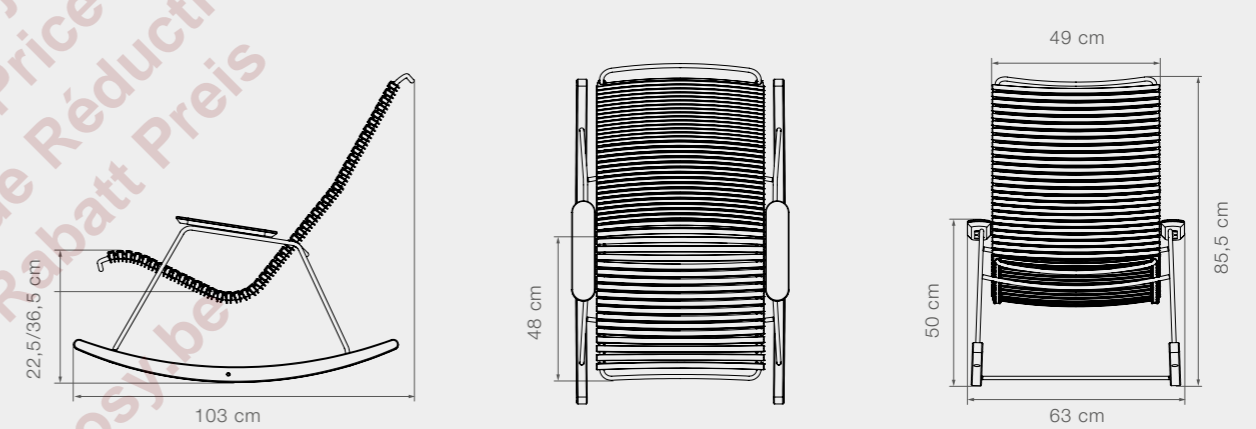
DINING & LOUNGE
SPECIFICATIONS

Plastic lamellas
Powder coated grey steel frame
Bamboo armrest and runners
Maintenance: Oil / Repair lacquer

10811 CLICK Lounge chair



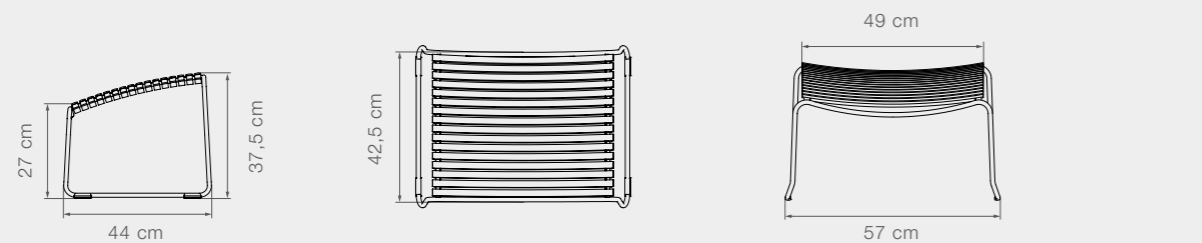
10804 CLICK Rocking chair



Product weight	10,8 kg // 23,8 lbs	Width	63 cm // 24,8 in	Seat width	49 cm // 19,3 in	Armrest height	51,5 cm // 20,3 in
Lamella size	Ø12 mm // 0,5 in	Depth	90 cm // 35,4 in	Seat depth	48 cm // 18,9 in	Diameter	98,5 cm // 38,8 in
Lamella used	48 pcs	Height	95,5 cm // 37,6 in	Seat height	26,5/37,5 cm // 10,4/14,8 in	Stackable max	6 chairs

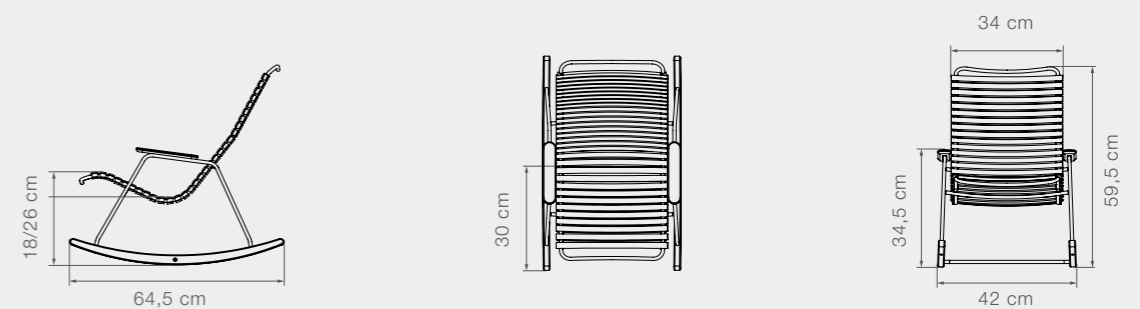
Product weight	10,7 kg // 23,6 lbs	Width	63 cm // 24,8 in	Seat width	49 cm // 19,3 in	Armrest height	50 cm // 19,7 in
Lamella size	Ø12 mm // 0,5 in	Depth	103 cm // 40,6 in	Seat depth	48 cm // 18,9 in	Diameter	115 cm // 45,3 in
Lamella used	48 pcs	Height	85,5 cm // 33,7 in	Seat height	22,5/36,5 cm // 8,9/14,4 in		

10813 CLICK Footrest



Product weight	4,1 kg // 9 lbs	Width	57 cm // 22,4 in	Seat width	49 cm // 19,3 in	Diameter	70,9 cm // 27,9 in
Lamella size	Ø10 mm // 0,4 in	Depth	44 cm // 17,3 in	Seat depth	42,5 cm // 16,7 in	Stackable max	6 footrests
Lamella used	16 pcs	Height	27/37,5 cm // 10,6/14,8 in	Seat height	N/A		

10818 CLICK Kids Rocking chair



Product weight	4,8 kg // 10,6 lbs	Width	42 cm // 16,5 in	Seat width	34 cm // 13,4 in	Armrest height	34,5 cm // 13,6 in
Lamella size	Ø10 mm // 0,4 in	Depth	64,5 cm // 25,4 in	Seat depth	30 cm // 11,8 in	Diameter	77 cm // 30,3 in
Lamella used	30 pcs	Height	59,5 cm // 23,4 in	Seat height	18/26 cm // 7,1/10,2 in		

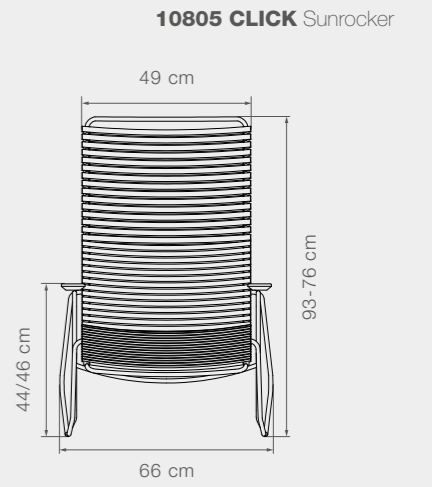
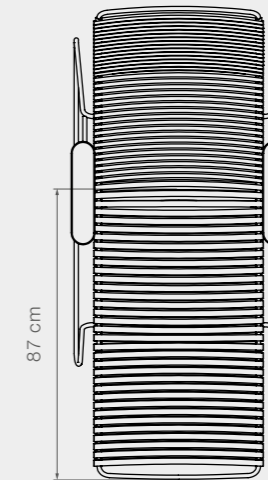
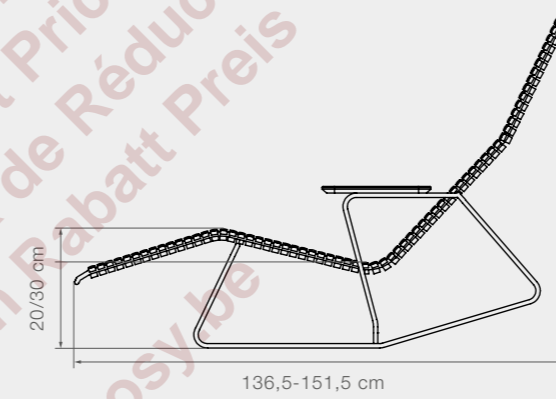
92

DESCRIPTION

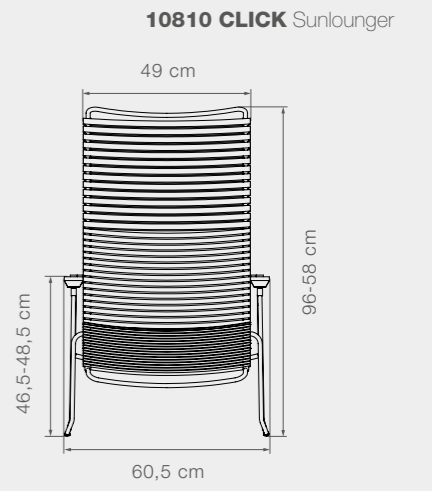
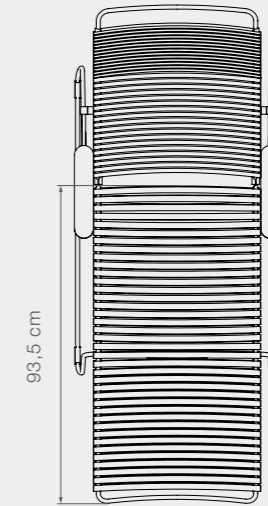
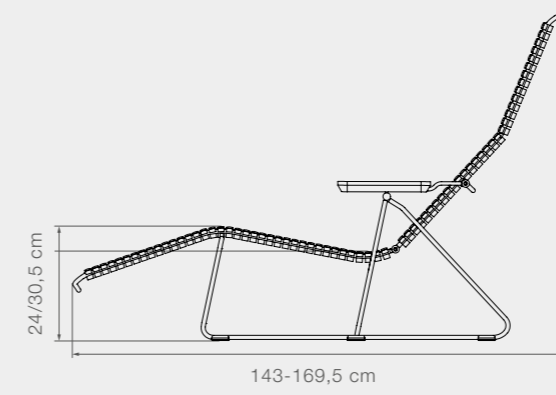
CLICK

DINING & LOUNGE
SPECIFICATIONS

Plastic lamellas
Powder coated grey steel frame
Bamboo armrest
Maintenance: Oil / Repair lacquer



Product weight	13,2 kg // 29,1 lbs	Width	66 cm // 26 in	Seat width	49 cm // 19,3 in	Armrest height	44/46 cm // 17,31/18,1 in
Lamella size	Ø12 mm // 0,5 in	Length	136,5-151,5 cm // 53,7-59,6 in	Seat depth	87 cm // 34,3 in	Diameter	155 cm // 61 in
Lamella used	68 pcs	Height	93-76 cm // 36,6-29,9 in	Seat height	20/30 cm // 7,9/11,8 in		



Product weight	13,9 kg // 30,6 lbs	Width	60,5 cm // 23,8 in	Seat width	49 cm // 19,3 in	Armrest height	46,5-48,5 cm // 18,3-19,1 in
Lamella size	Ø12 mm // 0,5 in	Depth	143-169,5 cm // 56,3-66,7 in	Seat depth	93,5 cm // 36,8 in	Positions	7
Lamella used	68 pcs	Height	96-58 cm // 37,8-22,8 in	Seat height	24/30,5 cm // 9,4/12 in		

94

PAON

OUTDOOR DINING & LOUNGE

A collection of furniture in powder coated steel combined with beautiful bamboo seats.

PAON is French for Peacock, and this bird is the inspiration behind the design of the PAON collection – have a look at the back, and you will notice.

PAON is light Scandinavian in its design with a touch of Victorian romance. The PAON collection is blessed with a seating comfort you would not expect from a furniture made of steel.

Designed by Henrik Pedersen



- 2 year warranty
- uv protected
- weather resistant
- EN581

Vraag uw kortingsprijs
Ask your Discount Price
Demandez votre prix de Réduction
Fragen Sie Ihren Rabatt Preis



HOUE

96

DESCRIPTION

PAON

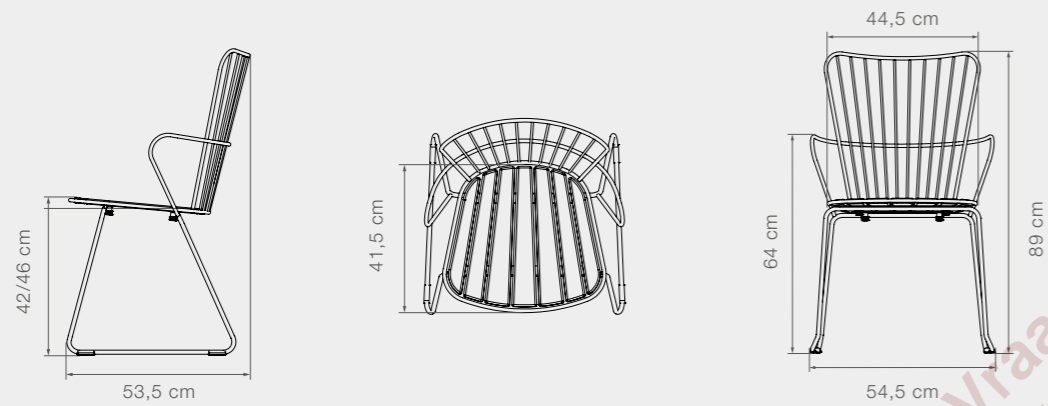
DINING & LOUNGE SPECIFICATIONS

Powder coated steel frame

Bamboo seat and runners

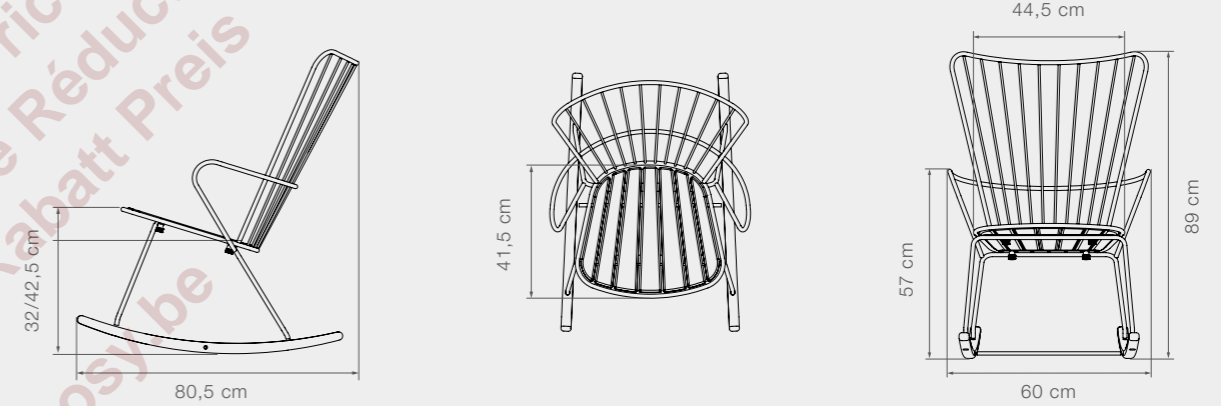
Maintenance: Oil / Repair lacquer

12801 PAON Dining chair



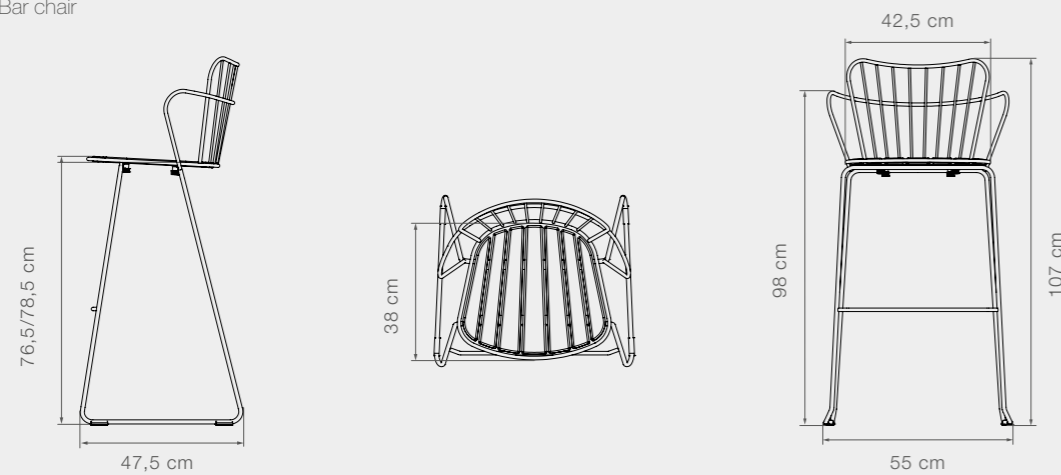
Product weight	8,2 kg // 18,1 lbs	Width	54,5 cm // 21,5 in	Seat width	44,5 cm // 17,5 in	Armrest height	64 cm // 25,2 in
Tube size	Ø6/10/12 mm // 0,2/0,4/0,5 in	Depth	53,5 cm // 21,1 in	Seat depth	41,5 cm // 16,3 in	Diameter	70,5 cm // 27,8 in
Slats used	7 pcs	Height	89 cm // 35 in	Seat height	42/46 cm // 16,5/18,1 in	Stackable max	10 chairs

12803 PAON Rocking chair



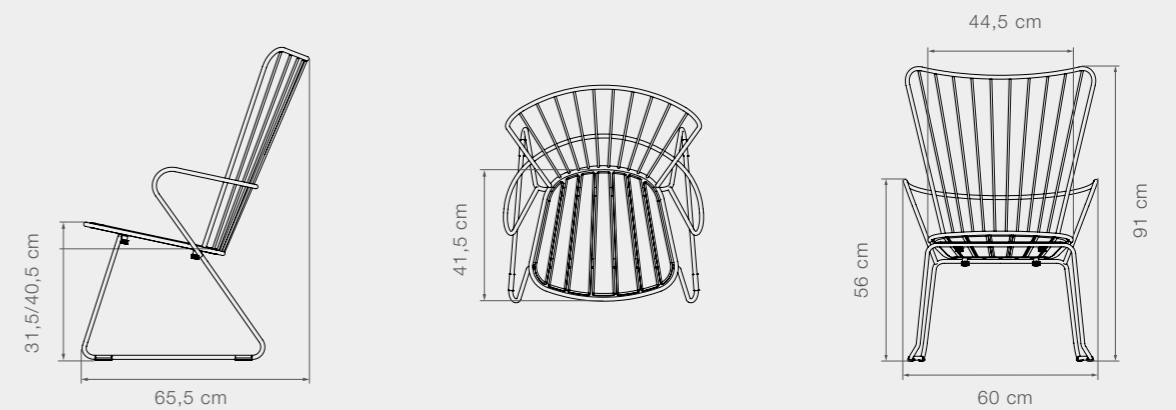
Product weight	10,4 kg // 22,9 lbs	Width	60 cm // 23,6 in	Seat width	44,5 cm // 17,5 in	Armrest height	57 cm // 22,4 in
Tube size	Ø6/12 mm // 0,2/0,5 in	Depth	80,5 cm // 31,7 in	Seat depth	41,5 cm // 16,3 in	Diameter	91,5 cm // 36 in
Slats used	7 pcs	Height	89 cm // 35 in	Seat height	32/42,5 cm // 12,6/16,7 in	Stackable max	

12805 PAON Bar chair



Product weight	8,7 kg // 41,2 lbs	Width	55 cm // 21,7 in	Seat width	42,5 cm // 16,7 in	Armrest height	98 cm // 38,6 in
Tube size	Ø6/10/12 mm // 0,2/0,4/0,5 in	Depth	47,5 cm // 18,7 in	Seat depth	38 cm // 15 in	Diameter	69,5 cm // 27,4 in
Slats used	7 pcs	Height	107 cm // 42,1 in	Seat height	76,5/78,5 cm // 30,1/30,9 in	Stackable max	10 chairs

12802 PAON Lounge chair



Product weight	10 kg // 22,1 lbs	Width	60 cm // 23,6 in	Seat width	44,5 cm // 17,5 in	Armrest height	56 cm // 22 in
Tube size	Ø6/12 mm // 0,2/0,5 in	Depth	65,5 cm // 25,8 in	Seat depth	41,5 cm // 16,3 in	Diameter	79 cm // 31,1 in
Slats used	7 pcs	Height	91 cm // 35,8 in	Seat height	31,5/40,5 cm // 12,4/15,9 in	Stackable max	6 chairs

98

DESCRIPTION

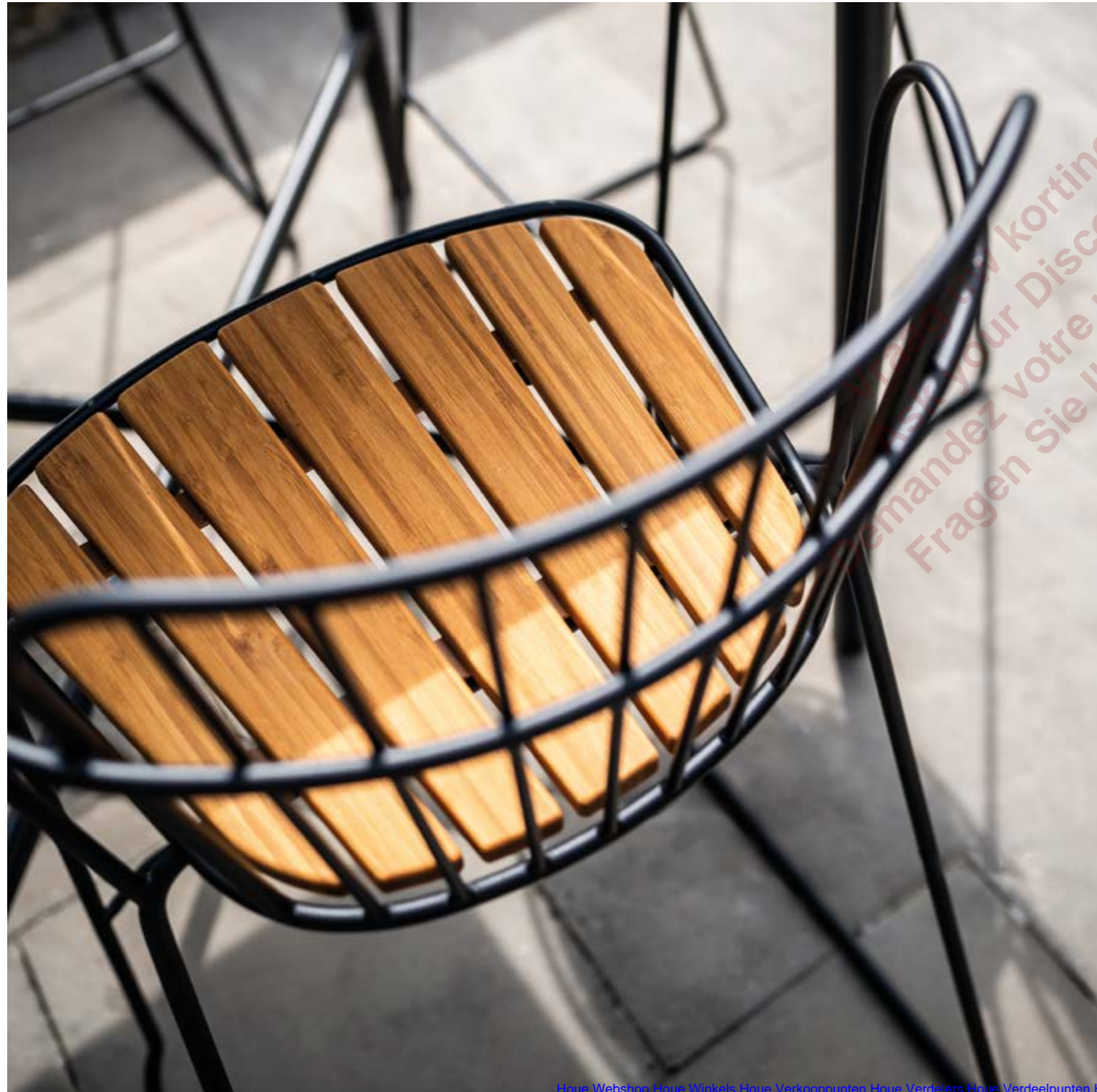
PAON

DINING & LOUNGE
SPECIFICATIONS

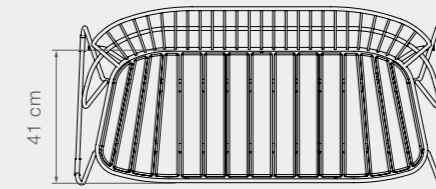
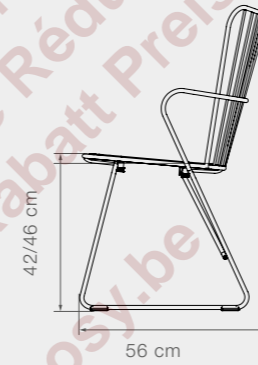
Powder coated steel frame

Bamboo seat

Maintenance: Oil / Repair lacquer



12804 PAON Bench



Product weight	18,3 kg // 40,3 lbs	Width	113 cm // 44,5 in	Seat width	103 cm // 40,6 in	Armrest height	64,5 cm // 25,4 in
Tube size	Ø6/12 mm // 0,2/0,5 in	Depth	56 cm // 22 in	Seat depth	41 cm // 16,1 in	Diameter	122 cm // 48 in
Slats used	15 pcs	Height	89 cm // 35 in	Seat height	42/46 cm // 16,5/18,1 in		

100

MyTrash RECLIPS

OUTDOOR DINING & LOUNGE

ReCLIPS is a collection of chairs with wide lamellas clipped onto a powder coated aluminum frame.

The lamellas are made from Danish household plastic waste and produced in Denmark. The plastic for the ReCLIPS collection contains 97% household plastic waste and 3% color pigment.

The expertise behind recycling plastic from households for furniture production is developed in Denmark. With ReCLIPS, you are essentially witnessing the result of mixing Danish design and Danish innovation, converting this new thinking and material into a chair.

ReCLIPS Dining, Rocking, and Lounge chairs come with the choice of aluminum or bamboo armrests. The aluminum frame, combined with the UV protected plastic lamellas, ensure that maintenance is kept to a minimum.

Designed by Henrik Pedersen



- 5 year warranty
- uv protected
- weather resistant
- EN581

- recycled plastic

Vraag uw korting
Ask your Discount
Demandez votre
Fragen Sie Ihren



HOUE

102

DESCRIPTION

MyTrash
RECLIPS

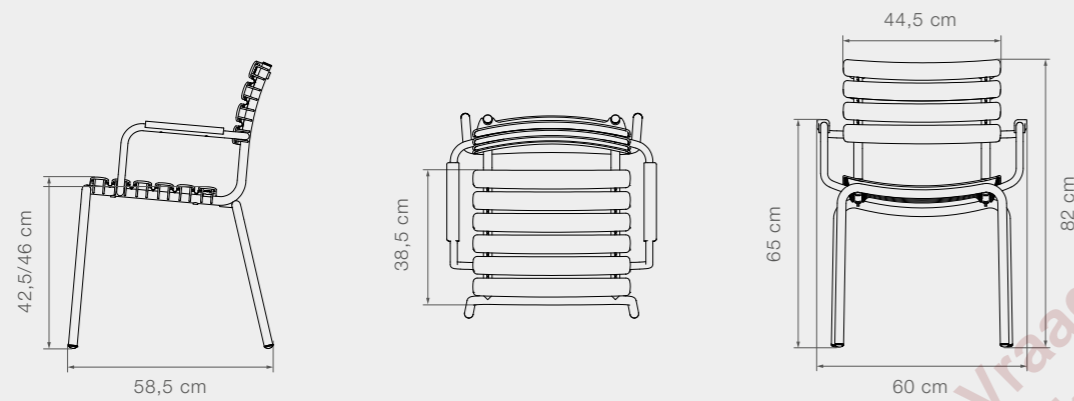
DINING & LOUNGE
SPECIFICATIONS

Lamellas made from Danish household plastic waste
Powder coated aluminum frame

Bamboo or powder coated aluminum armrest

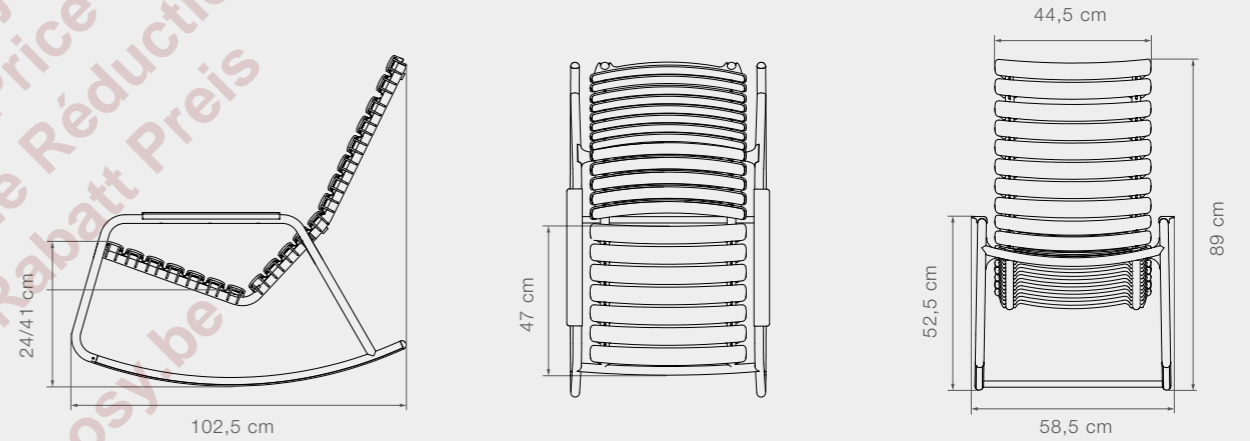
Maintenance: Oil / Repair lacquer

22302 RECLIPS Dining chair



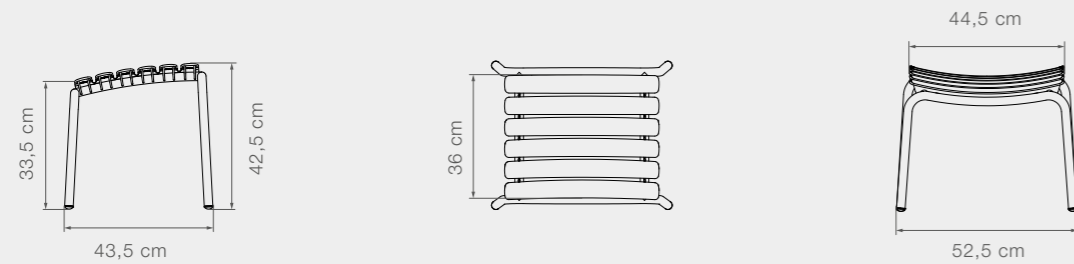
Product weight	3,9 kg // 8,6 lbs	Width	60 cm // 23,6 in	Seat width	44,5 cm // 17,5 in	Armrest height	65 cm // 25,6 in
Lamella size	25 mm // 1 in	Depth	58,5 cm // 23 in	Seat depth	38,5 cm // 15,2 in	Diameter	76,5 cm // 30,1 in
Lamella used	10 pcs	Height	82 cm // 32,3 in	Seat height	42,5/46 cm // 16,7/18,1 in	Stackable max	10 chairs

22303 RECLIPS Rocking chair



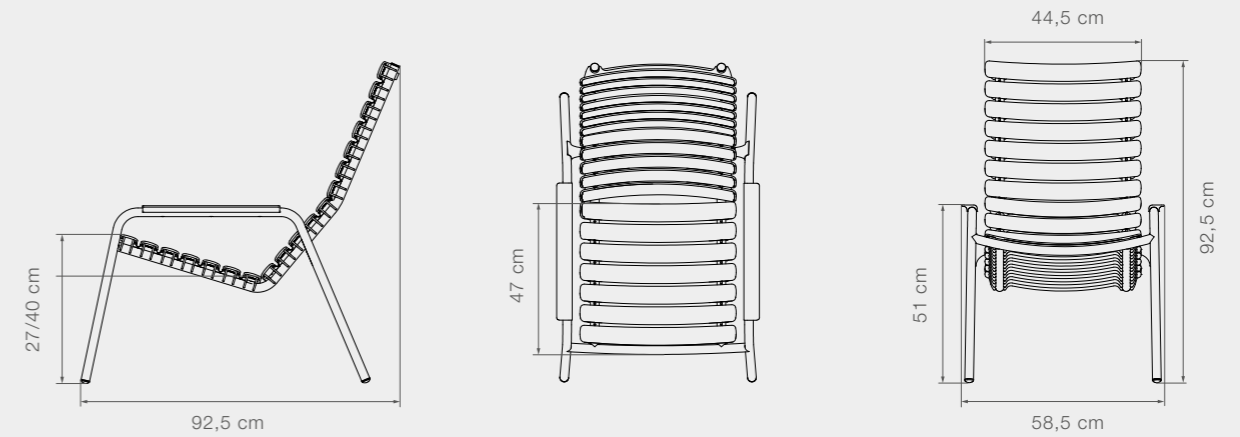
Product weight	8 kg // 17,6 lbs	Width	58,5 cm // 23 in	Seat width	44,5 cm // 17,5 in	Armrest height	52,5 cm // 20,7 in
Lamella size	Ø25 mm // 1 in	Depth	102,5 cm // 40,4 in	Seat depth	47 cm // 18,5 in	Diameter	110,7 cm // 43,6 in
Lamella used	20 pcs	Height	89 cm // 35 in	Seat height	24/41 cm // 9,5/16,1 in	Stackable max	10 chairs

22308 RECLIPS Footrest



Product weight	2,1 kg // 4,6 lbs	Width	52,5 cm // 20,7 in	Seat width	44,5 cm // 17,5 in	Diameter	67 cm // 26,4 in
Lamella size	Ø25 mm // 1 in	Depth	43,5 cm // 17,1 in	Seat depth	36 cm // 14,2 in		
Lamella used	6 pcs	Height	33,5/42,5 cm // 13,2/16,7 in	Seat height	N/A		

22306 RECLIPS Lounge chair



Product weight	6,5 kg // 14,3 lbs	Width	58,5 cm // 23 in	Seat width	44,5 cm // 17,5 in	Armrest height	51 cm // 20,1 in
Lamella size	Ø25 mm // 1 in	Depth	92,5 cm // 36,4 in	Seat depth	47 cm // 18,5 in	Diameter	103,1 cm // 40,6 in
Lamella used	19 pcs	Height	92,5 cm // 36,4 in	Seat height	27/40 cm // 10,6/15,7 in	Stackable max	10 chairs

104

DESCRIPTION

MyTrash
RECLIPS

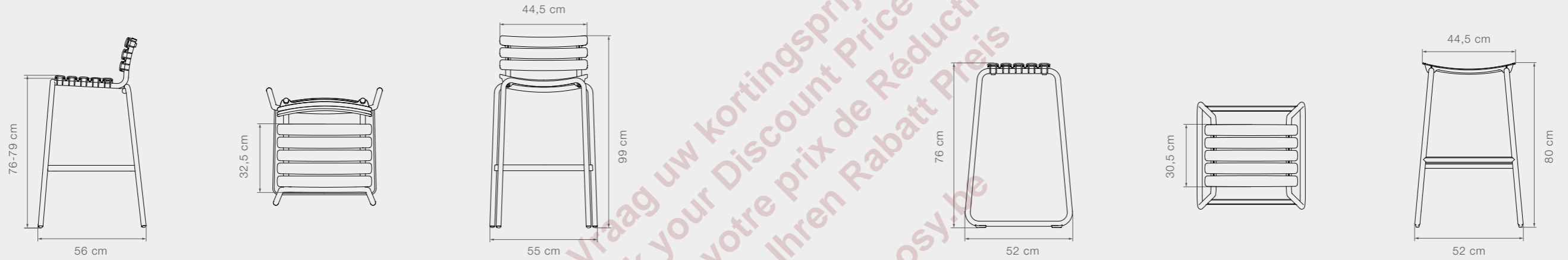
Lamellas made from Danish household plastic waste
Powder coated aluminum frame

Maintenance: Repair lacquer

DINING & LOUNGE
SPECIFICATIONS

22305 RECLIPS Bar chair

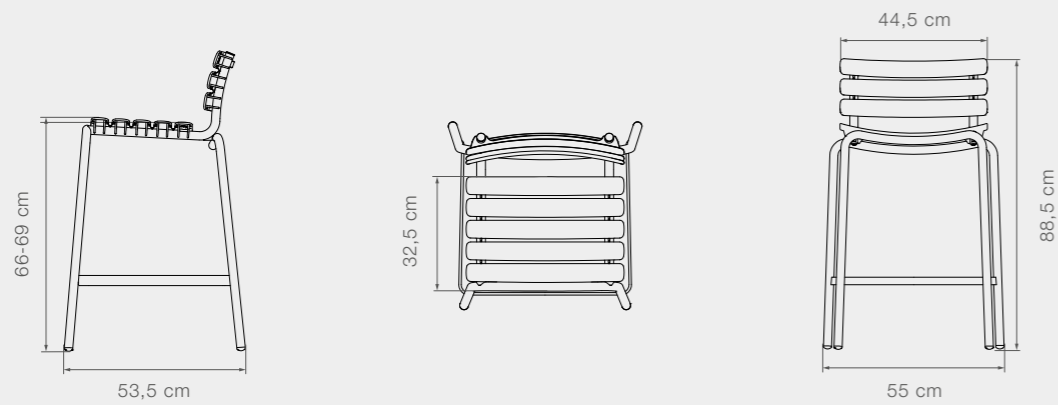
22307 RECLIPS Bar stool



Product weight	3,7 kg // 8,2 lbs	Width	55 cm // 21,7 in	Seat width	44,5 cm // 17,5 in	Diameter	75,5 cm // 29,7 in
Lamella size	Ø25 mm // 1 in	Depth	56 cm // 22 in	Seat depth	32,5 cm // 12,8 in	Stackable max	10 chairs
Lamella used	8 pcs	Height	99 cm // 39 in	Seat height	76-79 cm // 29,9-31,1 in		

Product weight	3,2 kg // 7,1 lbs	Width	52 cm // 20,5 in	Seat width	44,5 cm // 17,5 in	Diameter	72,5 cm // 28,5 in
Lamella size	Ø25 mm // 1 in	Depth	52 cm // 20,5 in	Seat depth	30,5 cm // 12 in	Stackable max	5 chairs
Lamella used	5 pcs	Height	80 cm // 31,5 in	Seat height	76 cm // 29,9 in		

22309 RECLIPS Counter chair



Product weight	3,5 kg // 7,7 lbs	Width	54,5 cm // 21,5 in	Seat width	44,5 cm // 17,5 in	Armrest height	N/A
Lamella size	Ø25 mm // 1 in	Depth	53,5 cm // 21,1 in	Seat depth	32,5 cm // 12,8 in	Diameter	N/A
Lamella used	8 pcs	Height	88,5 cm // 34,8 in	Seat height	66-69 cm // 26-27,2 in	Stackable max	10 chairs

106

MyTrash NAMI

OUTDOOR DINING & LOUNGE

NAMI Collection consists of two dining chairs, a lounge chair and a café table.

The shell and tabletop are made from Danish household plastic waste and produced in Denmark.

The elegant curves in the shell are designed to resemble a wave washing over a beach. NAMI means wave and emphasizes the organic expression found in these stylish garden chairs.

The design is based on the forces and lines of nature and finds its natural place outdoors exposed to wind and weather.

The beautiful, molded NAMI shell and tabletop contains 97% Danish household plastic waste and 3% color pigment, and the frame is powder coated steel.

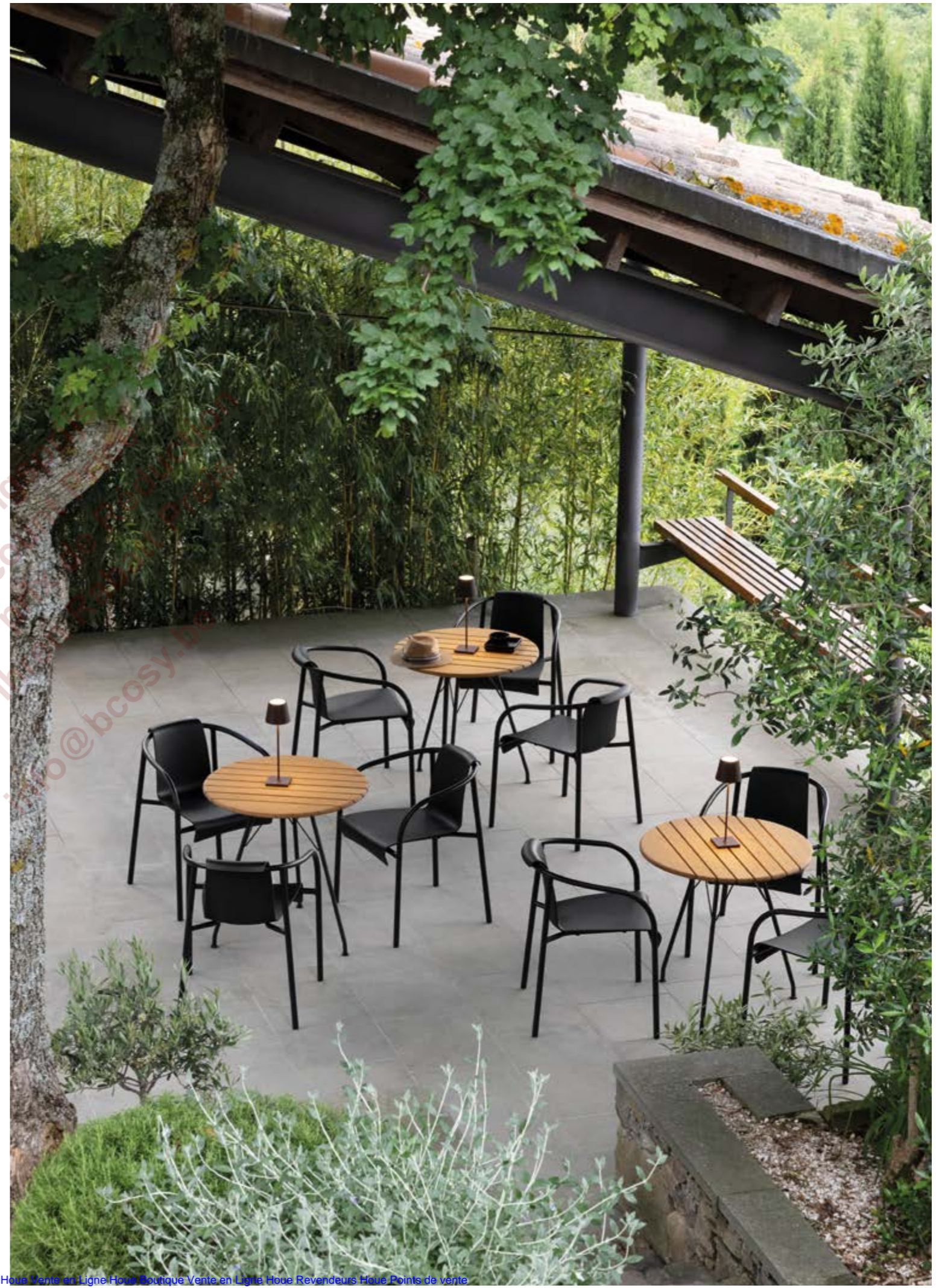
NAMI chairs are EU Ecolabel certified.

Designed by Hans Thyge & Co.



- 5 year warranty
- uv protected
- weather resistant
- EN581 for all chairs

- recycled plastic
- EU Ecolabel



Ask your Discount
Demandez votre
Fragen Sie Ihre

108

DESCRIPTION

MyTrash
NAMI

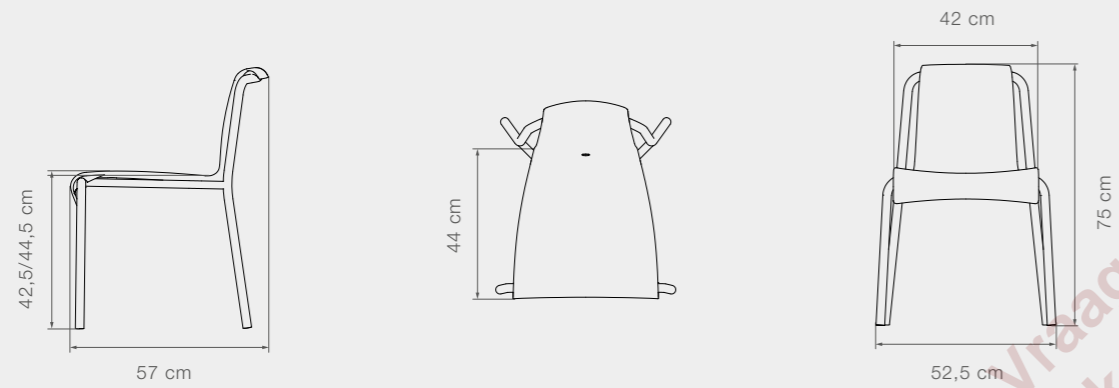
DINING & LOUNGE
SPECIFICATIONS

Shell and tabletop made from Danish household plastic waste

Powder coated steel frame

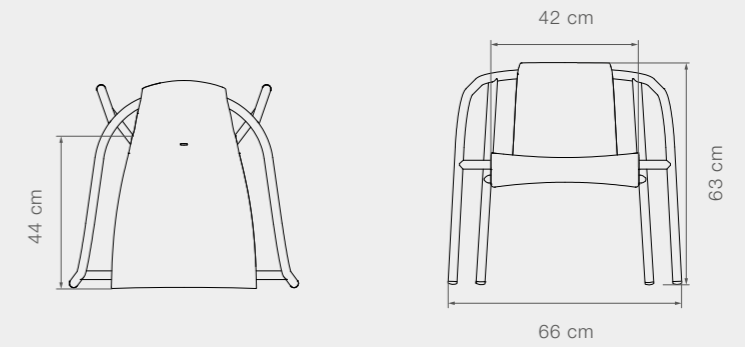
Maintenance: Repair lacquer

23814 NAMI Dining chair



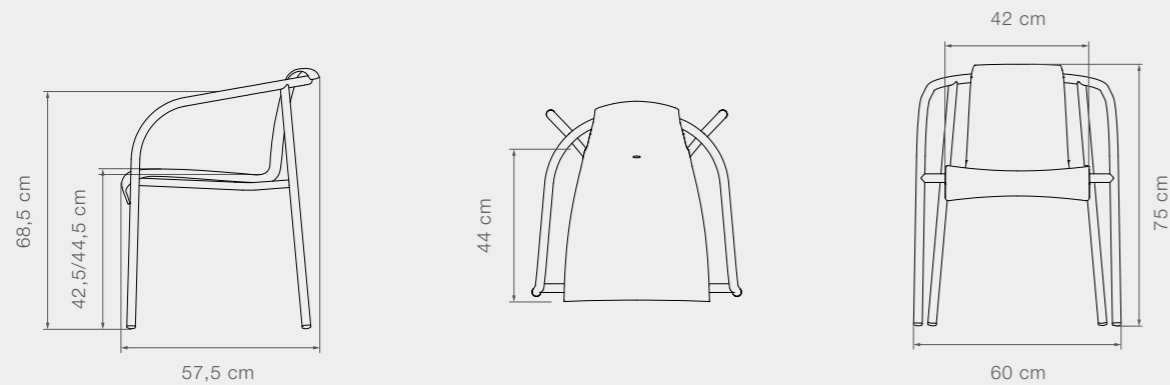
Product weight	5,8 kg // 12,8 lbs	Width	52,5 cm // 20,7 in	Seat width	42 cm // 16,5 in	Armrest height	N/A
Tube size	Ø25 mm // 1 in	Depth	57 cm // 22,4 in	Seat depth	44 cm // 17,3 in	Diameter	71 cm // 27,9 in
		Height	75 cm // 29,5 in	Seat height	42,5/44,5 cm // 16,7/17,5 in	Stackable max	10 chairs

23811 NAMI Lounge chair



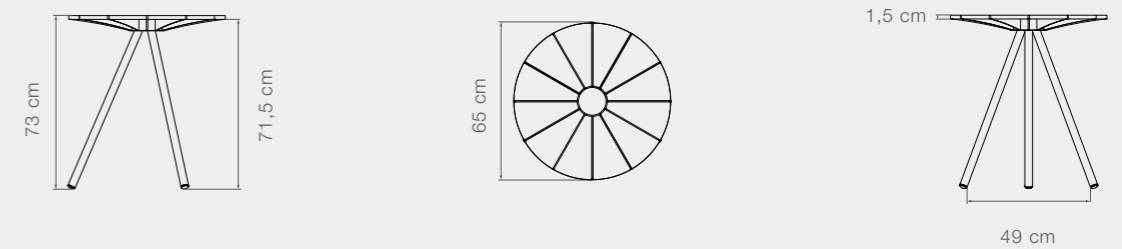
Product weight	6,5 kg // 14,3 lbs	Width	66 cm // 26 in	Seat width	42 cm // 16,5 in	Armrest height	57 cm // 22,4 in
Tube size	Ø25 mm // 1 in	Depth	60 cm // 23,6 in	Seat depth	44 cm // 17,3 in	Diameter	82 cm // 32,3 in
		Height	63 cm // 24,8 in	Seat height	31,5/36 cm // 12,4/14,2 in	Stackable max	4 chairs

23801 NAMI Dining chair, armrest



Product weight	6,9 kg // 15,2 lbs	Width	60 cm // 23,6 in	Seat width	42 cm // 16,5 in	Armrest height	68,5 cm // 27 in
Tube size	Ø25 mm // 1 in	Depth	57,5 cm // 22,4 in	Seat depth	44 cm // 17,3 in	Diameter	71 cm // 27,9 in
		Height	75 cm // 29,5 in	Seat height	42,5/44,5 cm // 16,7/17,5 in	Stackable max	6 chairs

23850 NAMI Café table



Product weight	5,7 kg // 12,6 lbs	Width	Ø65 cm // 25,6 in	Height under TT*	71,5 cm // 28,1 in	Diameter	65 cm // 25,6 in
Tube size	Ø30 mm // 1,2 in	Depth	Ø65 cm // 25,6 in	TT* thickness	1,5 cm // 0,6 in		
Slats used	N/A	Height	73 cm // 28,7 in	Space legs floor	49 cm // 19,3 in		

110

TABLES

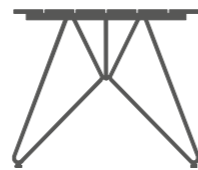
OUTDOOR DINING & LOUNGE

Combinations of powder coated steel or aluminum, bamboo and Danish household plastic waste create a collection of well-designed outdoor dining tables which all complement HOUE dining chairs perfectly.

In the design process, a lot of effort is put into form and shape to create tables, that not only please the eye but also provide optimal stability and functionality.

Designed by Henrik Pedersen

NAMI designed by Hans Thyge & Co.



2 year warranty



uv protected



weather resistant



EN581 for SKETCH and FOUR

Vraag uw korting
Ask your Discount
Demandez votre
Fragen Sie Ihre



HOUE

112

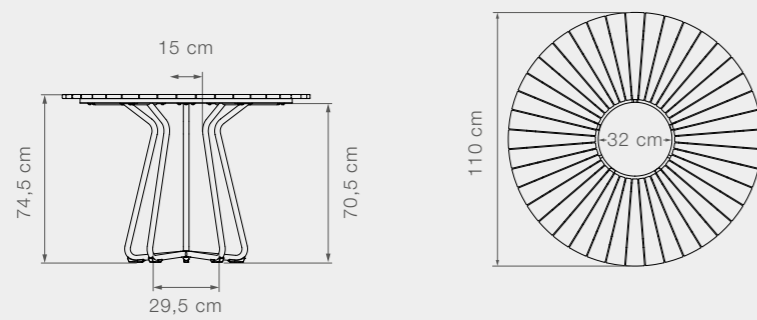
DESCRIPTION

TABLES

DINING SPECIFICATIONS

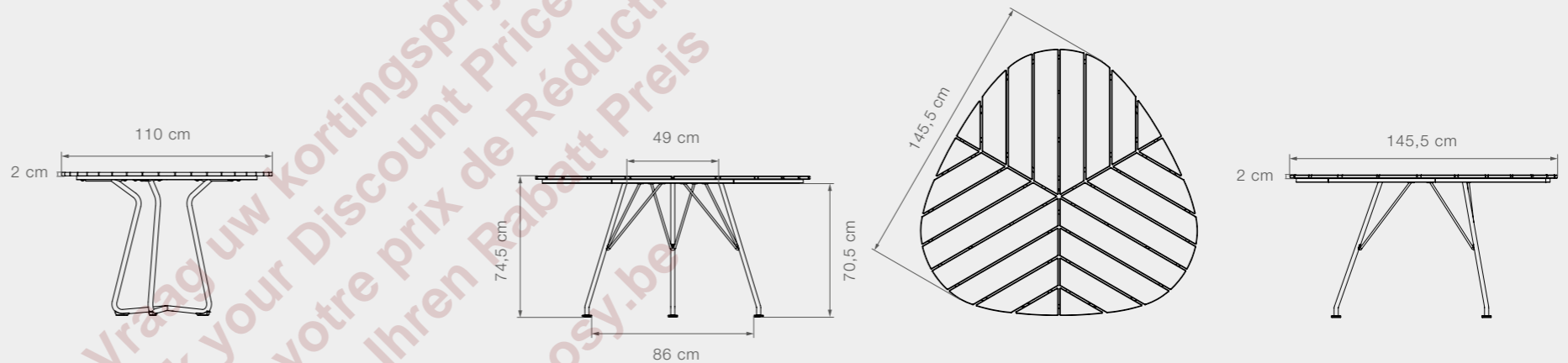
Powder coated grey or black legs/frame in steel or aluminum
 Bamboo, aluminum or Danish household plastic waste tabletop
 Granite
 Maintenance: Oil / Repair lacquer
 *TT = TableTop

11005 CIRCLE Dining table



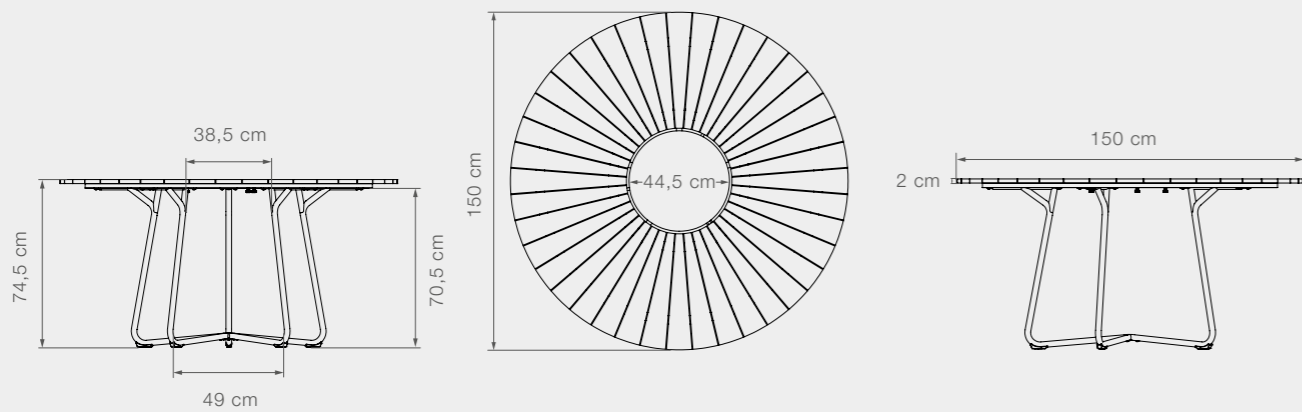
Product weight	21,5 kg // 47,4 lbs	Width	Ø110 cm // 43,3 in	Height under TT*	70,5 cm // 27,8 in	Space legs top	15 cm // 5,9 in
Tube size	Ø25 mm // 1 in	Depth	Ø110 cm // 43,3 in	TT* thickness	2 cm // 0,8 in	Granite stone	Ø32 cm // 12,6 in
Slats used	40 pcs	Height	74,5 cm // 29,3 in	Space legs floor	29,5 cm // 11,6 in	Diameter	110 cm // 43,3 in

11601 LEAF Dining table



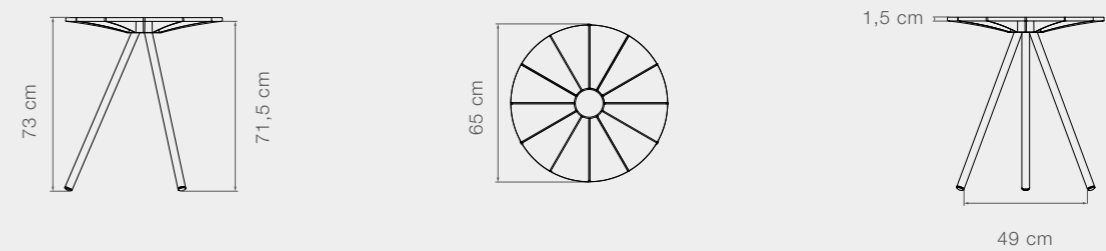
Product weight	30,4 kg // 67 lbs	Width	145,5 cm // 57,3 in	Height under TT*	70,5 cm // 27,8 in	Space legs top	49 cm // 19,3 in
Tube size	Ø10/22 mm // 0,4/0,9 in	Depth	145,5 cm // 57,3 in	TT* thickness	2 cm // 0,8 in	Diameter	155 cm // 61 in
Slats used	24 pcs	Height	74,5 cm // 29,3 in	Space legs floor	86 cm // 33,9 in		

11006 CIRCLE Dining table



Product weight	38,8 kg // 85,5 lbs	Width	Ø150 cm // 59,1 in	Height under TT*	70,5 cm // 27,8 in	Space legs top	38,5 cm // 15,2 in
Tube size	Ø25 mm // 1 in	Depth	Ø150 cm // 59,1 in	TT* thickness	2 cm // 0,8 in	Granite stone	Ø44,5 cm // 17,5 in
Slats used	40 pcs	Height	74,5 cm // 29,3 in	Space legs floor	49 cm // 19,3 in	Diameter	150 cm // 59,1 in

23850 NAMI Café table



Product weight	5,7 kg // 12,6 lbs	Width	Ø65 cm // 25,6 in	Height under TT*	71,5 cm // 28,1 in	Diameter	65 cm // 25,6 in
Tube size	Ø30 mm // 1,2 in	Depth	Ø65 cm // 25,6 in	TT* thickness	1,5 cm // 0,6 in		
Slats used	N/A	Height	73 cm // 28,7 in	Space legs floor	49 cm // 19,3 in		

114

DESCRIPTION

TABLES

DINING SPECIFICATIONS

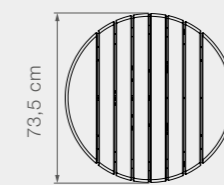
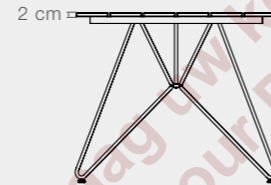
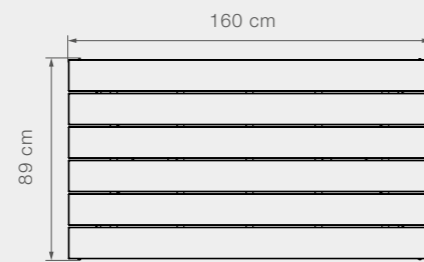
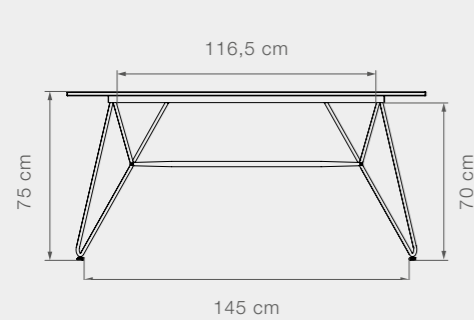
Powder coated grey or black legs/frame in steel or aluminum

Bamboo or aluminum tabletop

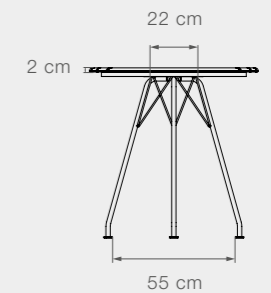
Maintenance: Oil / Repair lacquer

*TT = TableTop

10705 SKETCH Dining table



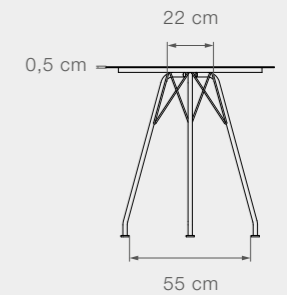
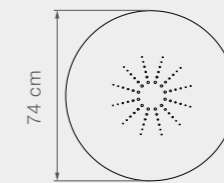
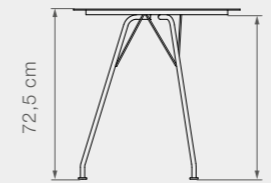
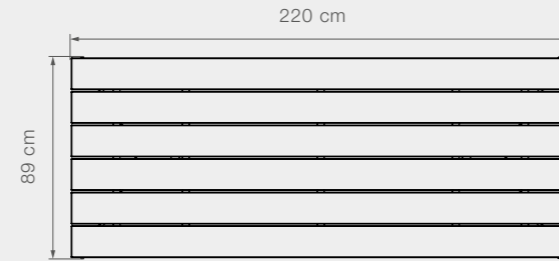
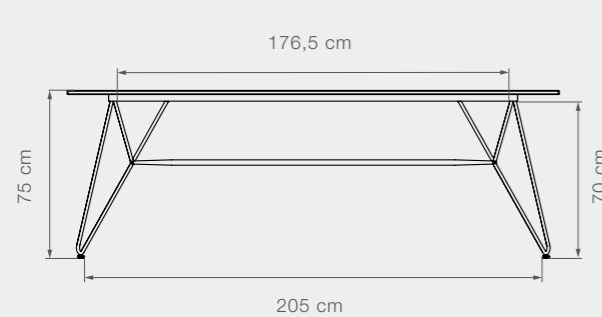
12831 CIRCUM Café table



Product weight	35,5 kg // 78,3 lbs	Width	89 cm // 35 in	Height under TT*	70 cm // 27,6 in	Space legs top	116,5 cm // 45,9 in
Tube size	Ø14/24 mm // 0,6/0,9 in	Length	160 cm // 63 in	TT* thickness	2 cm // 0,8 in	Diameter	N/A
Slats used	6 pcs	Height	75 cm // 29,5 in	Space legs floor	145 cm // 57,1 in		

Product weight	10,5 kg // 23,2 lbs	Width	Ø73,5 cm // 28,9 in	Height under TT*	70 cm // 27,6 in	Space legs top	22 cm // 8,7 in
Tube size	Ø6/20 mm // 0,2/0,8 in	Depth	Ø73,5 cm // 28,9 in	TT* thickness	2 cm // 0,8 in	Diameter	73,5 cm // 28,9 in
Slats used	8	Height	74 cm // 29,1 in	Space legs floor	55 cm // 21,7 in		

10716 SKETCH Dining table



Product weight	44,8 kg // 98,8 lbs	Width	89 cm // 35 in	Height under TT*	70 cm // 27,6 in	Space legs top	176,5 cm // 69,5 in
Tube size	Ø14/24 mm // 0,6/0,9 in	Length	220 cm // 86,6 in	TT* thickness	2 cm // 0,8 in	Diameter	N/A
Slats used	6 pcs	Height	75 cm // 29,5 in	Space legs floor	205 cm // 80,7 in		

Product weight	9 kg // 19,8 lbs	Width	Ø74 cm // 29,1 in	Height under TT*	70 cm // 27,6 in	Space legs top	22 cm // 8,7 in
Tube size	Ø6/19 mm // 0,2/0,7 in	Depth	Ø74 cm // 29,1 in	TT* thickness	0,5 cm // 0,2 in	Diameter	74 cm // 29,1 in
Slats used	N/A	Height	72,5 cm // 28,5 in	Space legs floor	55 cm // 21,7 in		

116

DESCRIPTION

TABLES

DINING SPECIFICATIONS

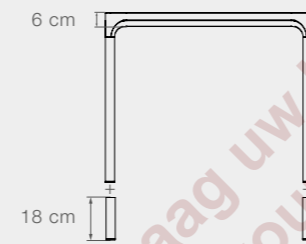
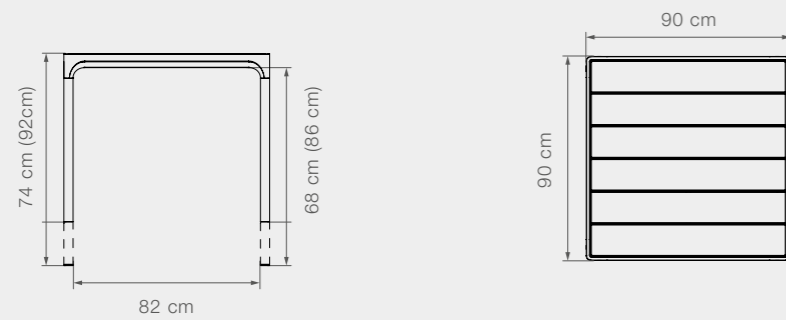
Powder coated grey or black aluminum frame

Bamboo or aluminum tabletop

Maintenance: Oil / Repair lacquer

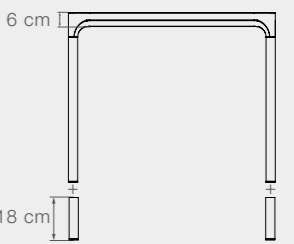
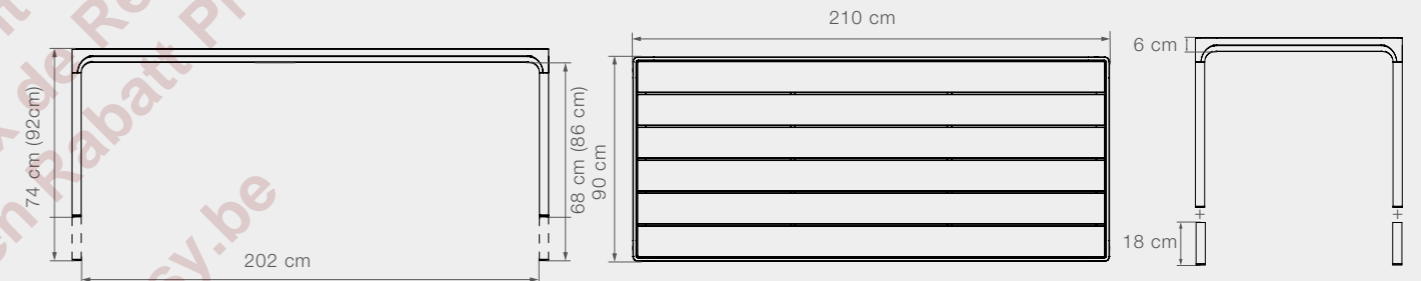
*TT = TableTop

12401 FOUR Dining table (+ **12428 FOUR** Leg extension = **FOUR** Counter height table)



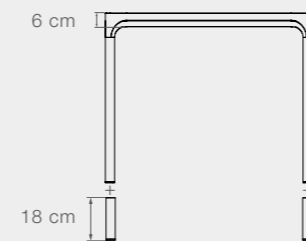
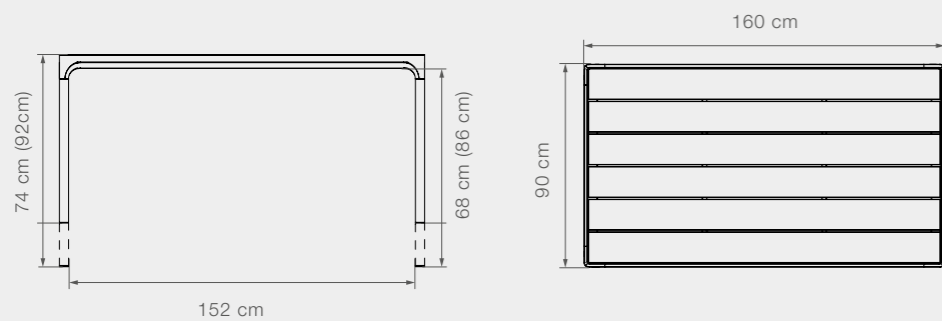
Product weight bamboo	18,8 kg // 41,5 lbs	Width	90 cm // 35,4 in	Height under TT*	68 cm // 26,8 in	Space legs top	82 cm // 32,3 in
Product weight aluminum	17,7 kg // 39 lbs	Length	90 cm // 35,4 in	Height Counter under TT*	86 cm // 33,9 in	Height extension legs	18 cm // 7,1 in
Weight extension legs	1,1 kg // 2,4 lbs	Height	74 cm // 29,1 in	TT* thickness	6 cm // 2,4 in	Slats used	6 pcs
Tube size	Ø40 mm // 1,6 in	Height Counter	92 cm // 36,2 in	Space legs floor	82 cm // 32,3 in	Diameter	125,5 cm // 49,4 in

12403 FOUR Dining table (+ **12428 FOUR** Leg extension = **FOUR** Counter height table)



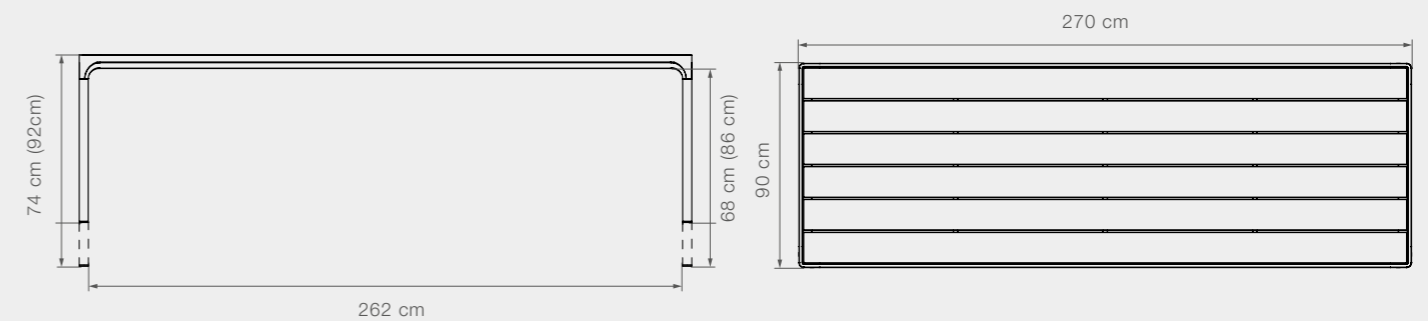
Product weight bamboo	33,5 kg // 73,9 lbs	Width	90 cm // 35,4 in	Height under TT*	68 cm // 26,8 in	Space legs top	202 cm // 79,5 in
Product weight aluminum	31,5 kg // 69,4 lbs	Length	210 cm // 82,7 in	Height Counter under TT*	86 cm // 33,9 in	Height extension legs	18 cm // 7,1 in
Weight extension legs	1,1 kg // 2,4 lbs	Height	74 cm // 29,1 in	TT* thickness	6 cm // 2,4 in	Slats used	6 pcs
Tube size	Ø40 mm // 1,6 in	Height Counter	92 cm // 36,2 in	Space legs floor	202 cm // 79,5 in	Diameter	227 cm // 89,4 in

12402 FOUR Dining table (+ **12428 FOUR** Leg extension = **FOUR** Counter height table)



Product weight bamboo	28,5 kg // 62,8 lbs	Width	90 cm // 35,4 in	Height under TT*	68 cm // 26,8 in	Space legs top	152 cm // 59,8 in
Product weight aluminum	26,6 kg // 58,6 lbs	Length	160 cm // 63 in	Height Counter under TT*	86 cm // 33,9 in	Height extension legs	18 cm // 7,1 in
Weight extension legs	1,1 kg // 2,4 lbs	Height	74 cm // 29,1 in	TT* thickness	6 cm // 2,4 in	Slats used	6 pcs
Tube size	Ø40 mm // 1,6 in	Height Counter	92 cm // 36,2 in	Space legs floor	152 cm // 59,8 in	Diameter	182 cm // 71,7 in

12404 FOUR Dining table (+ **12428 FOUR** Leg extension = **FOUR** Counter height table)



Product weight bamboo	43 kg // 94,8 lbs	Width	90 cm // 35,4 in	Height under TT*	68 cm // 26,8 in	Space legs top	262 cm // 103,1 in
Product weight aluminum	39 kg // 86 lbs	Length	270 cm // 106,3 in	Height Counter under TT*	86 cm // 33,9 in	Height extension legs	18 cm // 7,1 in
Weight extension legs	1,1 kg // 2,4 lbs	Height	74 cm // 29,1 in	TT* thickness	6 cm // 2,4 in	Slats used	6 pcs
Tube size	Ø40 mm // 1,6 in	Height Counter	92 cm // 36,2 in	Space legs floor	262 cm // 103,1 in	Diameter	283 cm // 111,4 in

118

DESCRIPTION

TABLES

DINING SPECIFICATIONS

Powder coated black aluminum frame

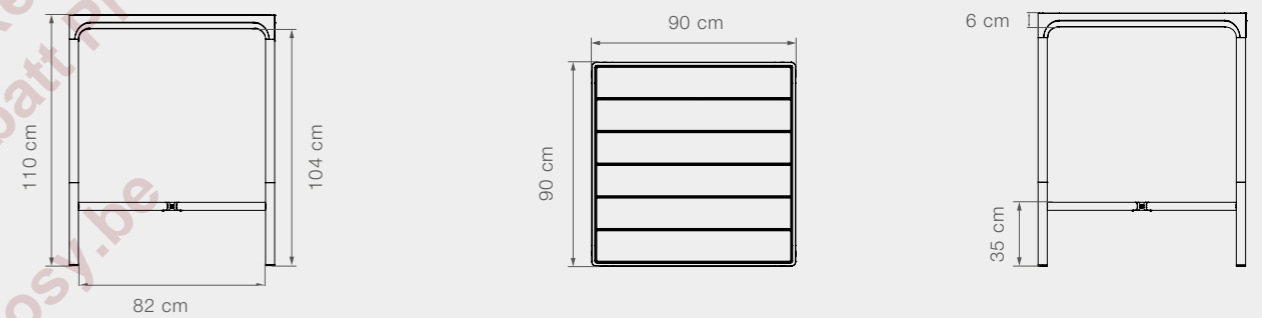
Bamboo or aluminum tabletop

Maintenance: Oil / Repair lacquer

*TT = TableTop

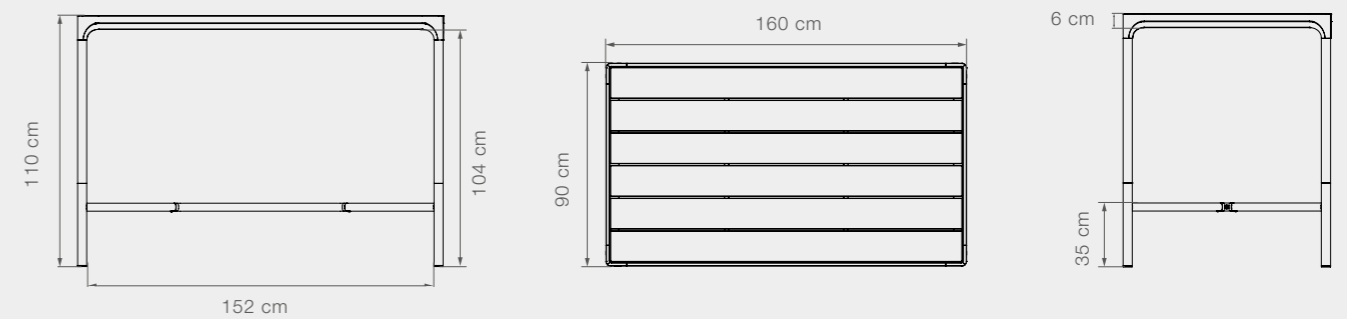


12424 FOUR Bar table



Product weight bamboo	22 kg // 48,5 lbs	Width	90 cm // 35,4 in	Height under TT*	104 cm // 40,9 in	Space legs top	82 cm // 32,3 in
Product weight aluminum	20,9 kg // 46,1 lbs	Length	90 cm // 35,4 in	TT* thickness	6 cm // 2,4 in	Bar height	35 cm // 13,8 in
Tube size	Ø40 mm // 1,6 in	Height	110 cm // 43,3 in	Space legs floor	82 cm // 32,3 in	Slats used	6 pcs

12425 FOUR Bar table



Product weight bamboo	32,7 kg // 72,1 lbs	Width	90 cm // 35,4 in	Height under TT*	104 cm // 40,9 in	Space legs top	152 cm // 59,8 in
Product weight aluminum	30,3 kg // 66,8 lbs	Length	160 cm // 63 in	TT* thickness	6 cm // 2,4 in	Bar height	35 cm // 13,8 in
Tube size	Ø40 mm // 1,6 in	Height	110 cm // 43,3 in	Space legs floor	152 cm // 59,8 in	Slats used	6 pcs

120

TRAY TABLES

OUTDOOR & INDOOR LOUNGE

EYELET

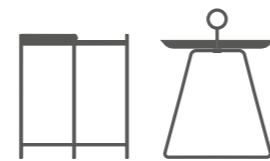
This graphically beautiful side table can be used in many ways – individually or in combination with different sizes and colors. The EYELET tables are easy to move to where they are needed – indoor as well as outdoor. The EYELET tray table has a special drainage system, which keeps the tray free from water after a rain shower. EYELET is made in powder coated aluminum with powder coated steel legs and comes in 3 different sizes.

Designed by Henrik Pedersen

EDGE

EDGE tray table is suitable for both indoor and outdoor use. The half ring shaped handle makes it easy to move the table between the living room and the garden, and when laid down it functions as a table edge, making sure everything stays in place. EDGE is made in powder coated aluminum with powder coated steel and comes in 3 different sizes.

Designed by Roee Magdassi



2 year warranty



uv protected



weather resistant

HOUE



122

DESCRIPTION

TRAY TABLES

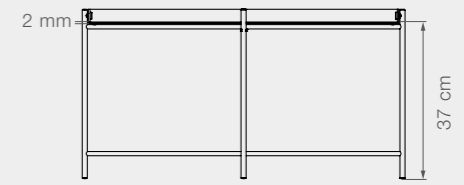
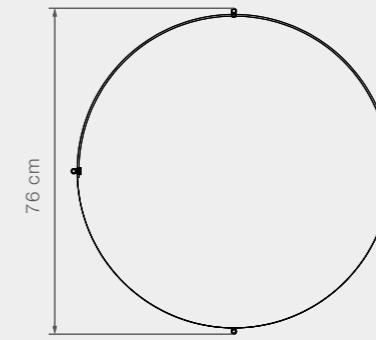
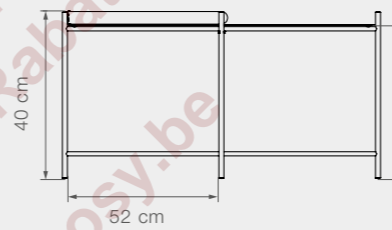
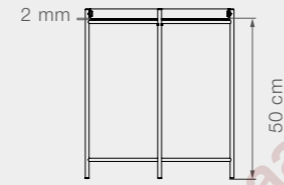
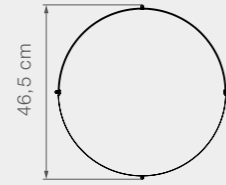
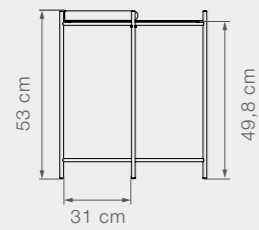
LOUNGE SPECIFICATIONS

Powder coated steel frame
 Powder coated steel tabletop
 Maintenance: Repair lacquer

*TT = TableTop

10911 EDGE Tray table

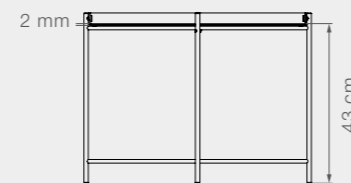
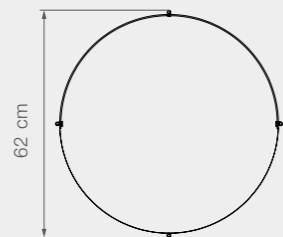
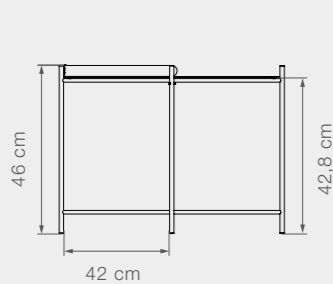
10913 EDGE Tray table



Product weight	4,3 kg // 9,5 lbs	Width	Ø46,5 cm // 18,3 in	Height under TT*	49,8 cm // 19,6 in	Space legs top	31 cm // 12,2 in
Tube size	Ø12 mm // 0,5 in	Depth	Ø46,5 cm // 18,3 in	TT* thickness	2 mm // 0,1 in	Diameter	Ø46,5 cm // 18,3 in
Slats used	N/A	Height	50/53 cm // 19,7/20,9 in	Space legs floor	31 cm // 12,2 in		

Product weight	11 kg // 24,3 lbs	Width	Ø76 cm // 29,9 in	Height under TT*	36,8 cm // 14,5 in	Space legs top	52 cm // 20,5 in
Tube size	Ø12 mm // 0,5 in	Depth	Ø76 cm // 29,9 in	TT* thickness	2 mm // 0,1 in	Diameter	76 cm // 29,9 in
Slats used	N/A	Height	37/40 cm // 14,6/15,7 in	Space legs floor	52 cm // 20,5 in		

10912 EDGE Tray table



Product weight	7,2 kg // 19,9 lbs	Width	Ø62 cm // 24,4 in	Height under TT*	42,8 cm // 16,9 in	Space legs top	42 cm // 16,5 in
Tube size	Ø12 mm // 0,5 in	Depth	Ø62 cm // 24,4 in	TT* thickness	2 mm // 0,1 in	Diameter	62 cm // 24,4 in
Slats used	N/A	Height	43/46 cm // 16,9/18,1 in	Space legs floor	42 cm // 16,5 in		

124

DESCRIPTION

TRAY TABLES

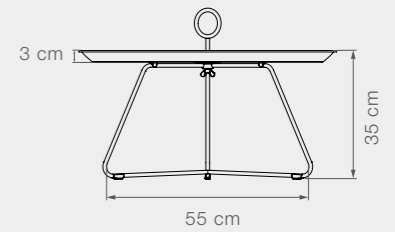
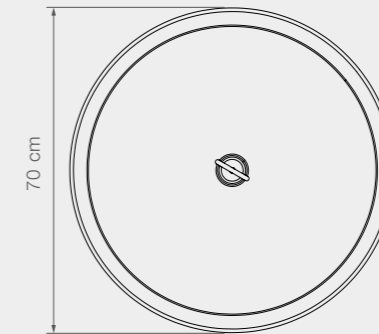
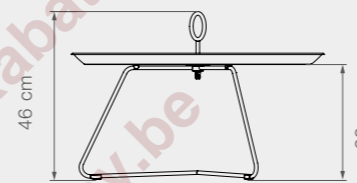
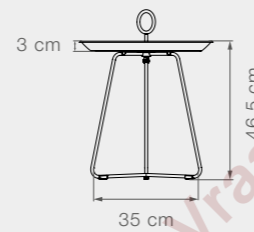
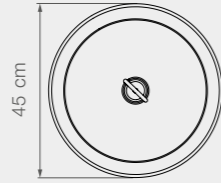
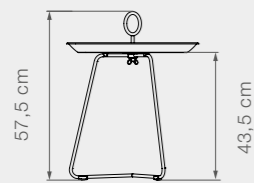
LOUNGE SPECIFICATIONS

Powder coated steel frame
 Powder coated aluminum tabletop
 Maintenance: Repair lacquer

*TT = TableTop

20901 EYELET Tray table

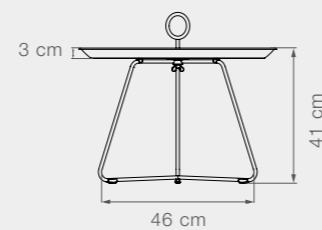
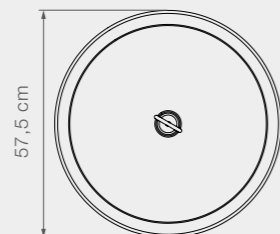
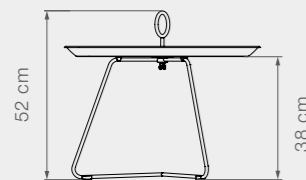
20903 EYELET Tray table



Product weight	2,3 kg // 5,1 lbs	Width	Ø45 cm // 17,7 in	Height under TT*	43,5 cm // 17,1 in	Space legs top	N/A
Tube size	Ø10 mm // 0,4 in	Depth	Ø45 cm // 17,7 in	TT* thickness	3 cm // 1,2 in	Diameter	45 cm // 17,7 in
Slats used	N/A	Height	46,5/57,5 cm // 18,3/22,6 in	Space legs floor	35 cm // 13,8 in		

Product weight	4 kg // 8,8 lbs	Width	Ø70 cm // 27,6 in	Height under TT*	32 cm // 12,6 in	Space legs top	N/A
Tube size	Ø10 mm // 0,4 in	Depth	Ø70 cm // 27,6 in	TT* thickness	3 cm // 1,2 in	Diameter	70 cm // 27,6 in
Slats used	N/A	Height	35/46 cm // 13,8/18,1 in	Space legs floor	55 cm // 21,7 in		

20902 EYELET Tray table



Product weight	2,9 kg // 6,4 lbs	Width	Ø57,5 cm // 22,6 in	Height under TT*	38 cm // 15 in	Space legs top	N/A
Tube size	Ø10 mm // 0,4 in	Depth	Ø57,5 cm // 22,6 in	TT* thickness	3 cm // 1,2 in	Diameter	57,5 cm // 22,6 in
Slats used	N/A	Height	41/52 cm // 16,1/20,5 in	Space legs floor	46 cm // 18,1 in		

126

LEVEL / LEVEL2

OUTDOOR LOUNGE

A collection of modular outdoor lounge furniture with powder coated aluminum frame, cushions made from water-repellent fabric, and bamboo side tables.

The lounge collections LEVEL / LEVEL2 are available in muted white and dark grey frames.

LEVEL comes with three different fabrics: Basic, Sunbrella Natté and Sunbrella Heritage.

LEVEL2 comes with two different fabrics: Basic and Sunbrella Heritage fabric. Read more on page 144.

The lightweight, powder coated aluminum frame combined with the soft cushions in numerous textile colors, provides comfortable lounge areas naturally creating a cozy atmosphere anywhere.

Designed by Henrik Pedersen



2 year warranty



uv protected



weather resistant



EN581

HOUE



128

DESCRIPTION

LEVEL / LEVEL2

LOUNGE SPECIFICATIONS

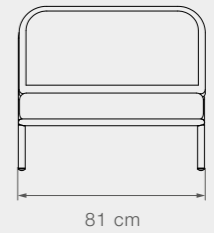
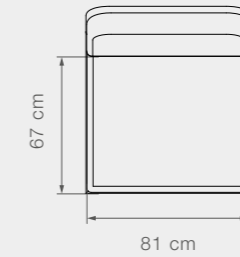
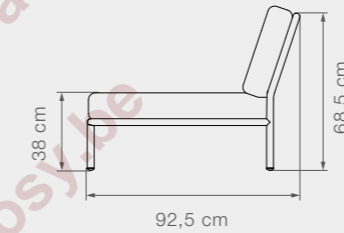
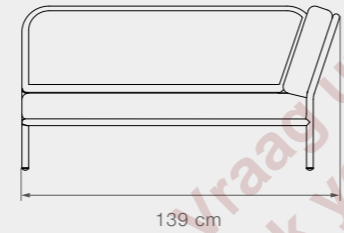
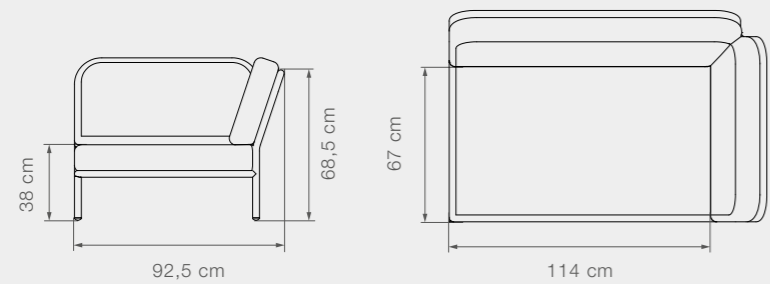
Powder coated muted white or grey aluminum frame

Cushions in Sunbrella fabric in different colors

Maintenance: Repair lacquer

12201 + 12202 LEVEL / 22201 + 22202 LEVEL2 Corner, right and left

12205 LEVEL / 22205 LEVEL2 Chair

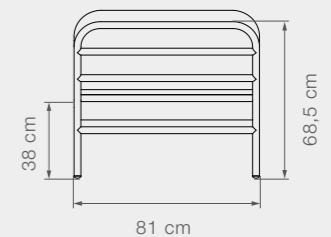
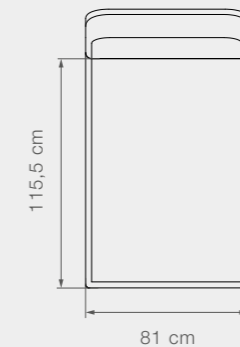
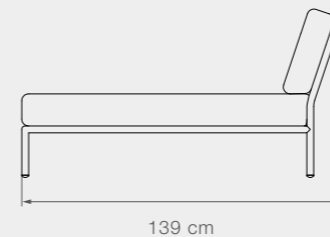
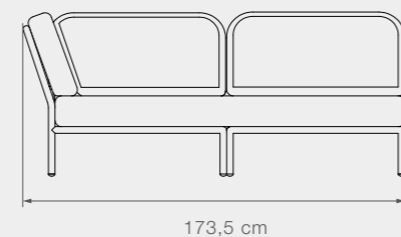
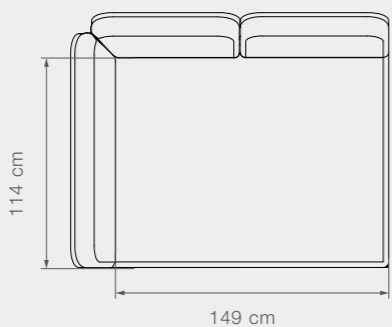
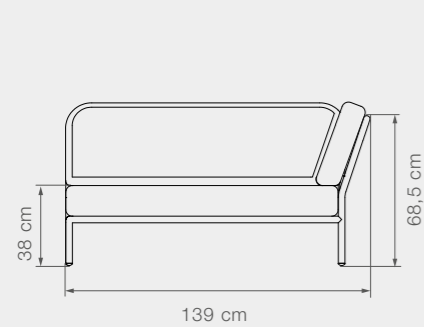


Product weight LEVEL	19,7 kg // 43,4	Width	139 cm // 54,7 in	Seat width w. cushion	114 cm // 44,9 in	Tube size	Ø30 mm // 1,2 in
Product weight LEVEL 2	24,2 kg // 53,4 lbs	Depth	92,5 cm // 36,4 in	Seat depth w. cushion	67 cm // 26,4 in	Lamella size	1,5x7 cm // 0,6x2,8 in
Diameter	162 cm // 63,8 in	Height	68,5 cm // 27 in	Seat height w. cushion	38 cm // 15 in		

Product weight LEVEL	11,4 kg // 25,1 lbs	Width	81 cm // 31,9 in	Seat width w. cushion	81 cm // 31,9 in	Tube size	Ø30 mm // 1,2 in
Product weight LEVEL 2	13,2 kg // 29,1 lbs	Depth	92,5 cm // 36,4 in	Seat depth w. cushion	67 cm // 26,4 in	Lamella	1,5x7 cm // 0,6x2,8 in
Diameter	120 cm // 47,2 in	Height	68,5 cm // 27 in	Seat height w. cushion	38 cm // 15 in		

12211 + 12212 LEVEL / 22211 + 22212 LEVEL2 Cozy corner, right and left

12209 LEVEL / 22209 LEVEL2 Chaiselong



Product weight LEVEL	35,5 kg // 78,3 lbs	Width	173,5 cm // 68,3 in	Seat width w. cushion	149 cm // 58,7 in	Tube size	Ø30 mm // 1,2 in
Product weight LEVEL 2	41,5 kg // 91,5 lbs	Depth	139 cm // 54,7 in	Seat depth w. cushion	114 cm // 44,9 in	Lamella size	1,5x7 cm // 0,6x2,8 in
Diameter	222 cm // 87,4 in	Height	68,5 cm // 27 in	Seat height w. cushion	38 cm // 15 in		

Product weight LEVEL	15,9 kg // 35 lbs	Width	81 cm // 31,9 in	Seat width w. cushion	81 cm // 31,9 in	Tube size	Ø30 mm // 1,2 in
Product weight LEVEL 2	17,7 kg // 39 lbs	Depth	139 cm // 54,7 in	Seat depth w. cushion	115,5 cm // 45,5 in	Lamella	1,5x7 cm // 0,6x2,8 in
Diameter	158 cm // 62,2 in	Height	68,5 cm // 27 in	Seat height w. cushion	38 cm // 15 in		

130

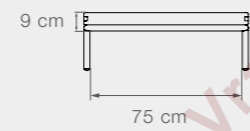
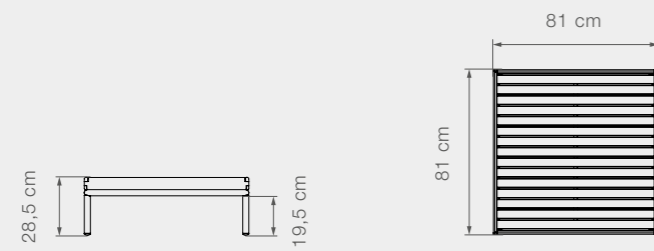
DESCRIPTION

LEVEL / LEVEL2

LOUNGE SPECIFICATIONS

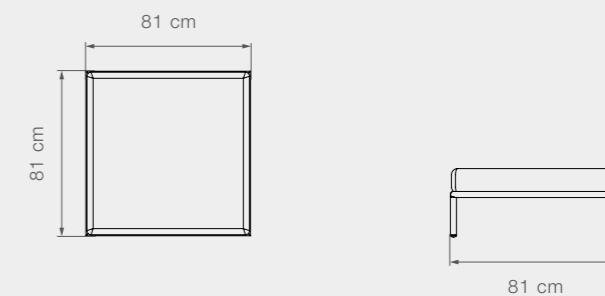
Powder coated muted white or grey aluminum frame
 Bamboo tabletop
 Cushions in Sunbrella fabric in different colors
 Maintenance: Oil / Repair lacquer
 *TT = TableTop

12204 LEVEL / LEVEL2 Coffee table



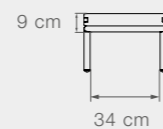
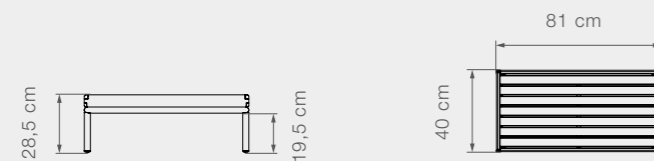
Product weight	12,7 kg // 28 lbs	Width	81 cm // 31,9 in	Height under TT*	19,5 cm // 7,7 in	Space legs top	75 cm // 29,5 in
Tube size	Ø30 mm // 1,2 in	Depth	81 cm // 31,9 in	TT* thickness	9 cm // 3,5 in	Diameter	114 cm // 44,9 in
Lamella size	1,5x4,5 cm // 0,6x1,8 in	Height	28,5 cm // 11,2 in	Space legs floor	75 cm // 29,5 in	Slats used	15

12203 LEVEL / 22203 LEVEL2 Ottoman



Product weight	8,6 kg // 19 lbs	Width	81 cm // 31,9 in	Seat width w. cushion	81 cm // 31,9 in	Diameter	114 cm // 44,9 in
Tube size	Ø30 mm // 1,2 in	Depth	81 cm // 31,9 in	Seat depth w. cushion	81 cm // 31,9 in		
Lamella size	1,5x4,5 cm // 0,6x1,8 in	Height	22,5 cm // 8,9 in	Seat height w. cushion	38 cm // 15 in		

12206 LEVEL / LEVEL2 Side table



Product weight	6,3 kg // 13,9 lbs	Width	40 cm // 15,7 in	Height under TT*	19,5 cm // 7,7 in	Space legs top	34 cm // 13,4 in
Tube size	Ø30 mm // 1,2 in	Depth	81 cm // 31,9 in	TT* thickness	9 cm // 3,5 in	Diameter	90 cm // 35,4 in
Lamella size	1,5x4,5 cm // 0,6x1,8 in	Height	28,5 cm // 11,2 in	Space legs floor	34 cm // 13,4 in	Slats used	7

132

AVON

OUTDOOR LOUNGE

A lounge collection with frames in powder coated steel and soft cushions in Sunbrella Heritage and Basic fabric.

Tabletop in thermo ash (FSC® – FSC C153404).

The AVON collection is designed with focus on creating a lounge collection with a very light appearance and a low sleek profile, while maintaining a high level of comfort. The simplicity of the frame, where low lines ensure, that the design always appears stylish, with and without cushions – summer or winter.

The handle of the cushions is a statement. It also adds to the function of the product, making them easy to grab and store if needed.

Read more about AVON fabrics on page 144.

Designed by Henrik Pedersen



2 year warranty



uv protected

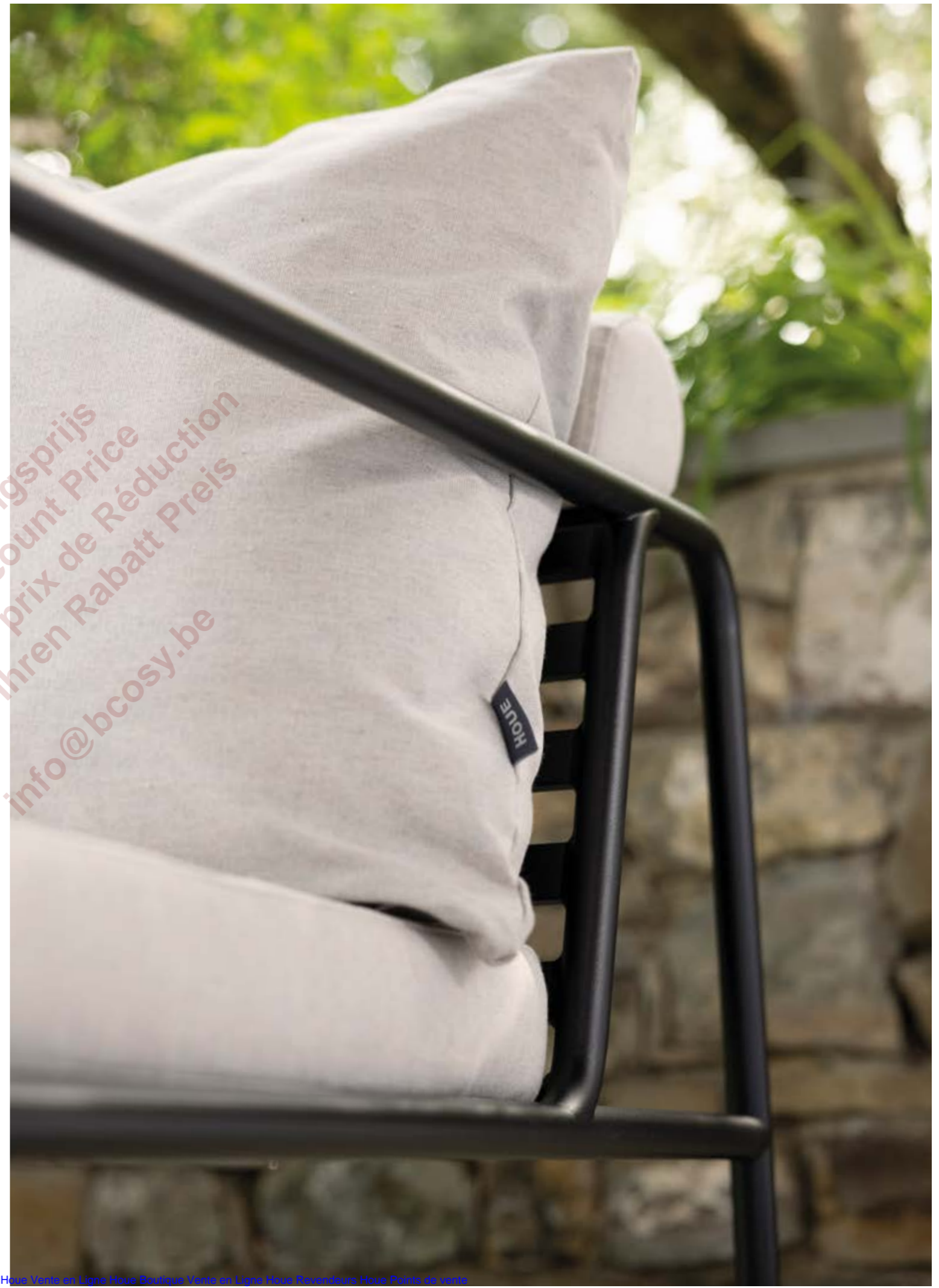


weather resistant



EN581

HOUE



134

DESCRIPTION

AVON

LOUNGE SPECIFICATIONS

Powder coated muted white or black steel frame

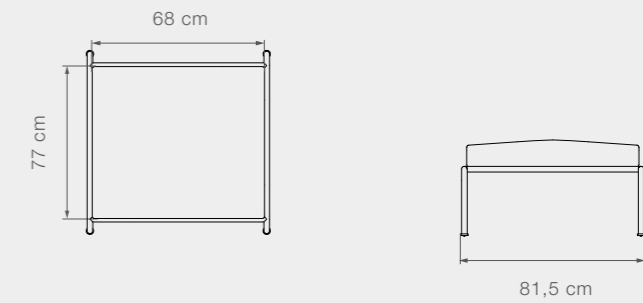
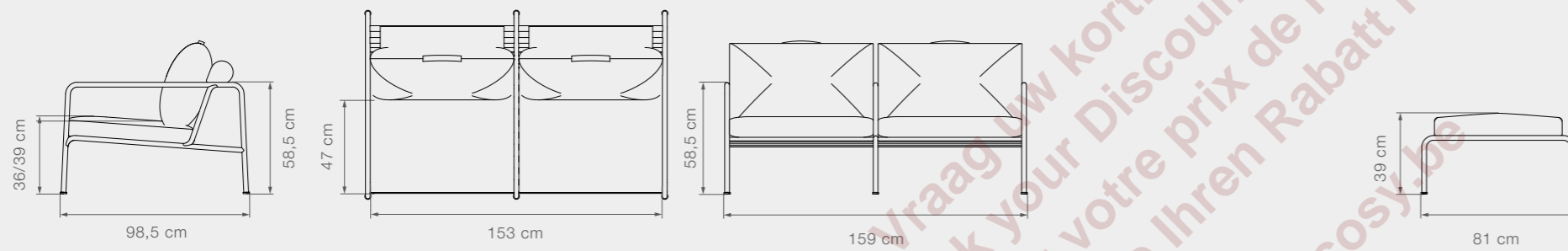
Cushions in Sunbrella fabric in different colors

Maintenance: Repair lacquer

*TT = TableTop

14207 AVON 2 seater sofa

14208 AVON Ottoman

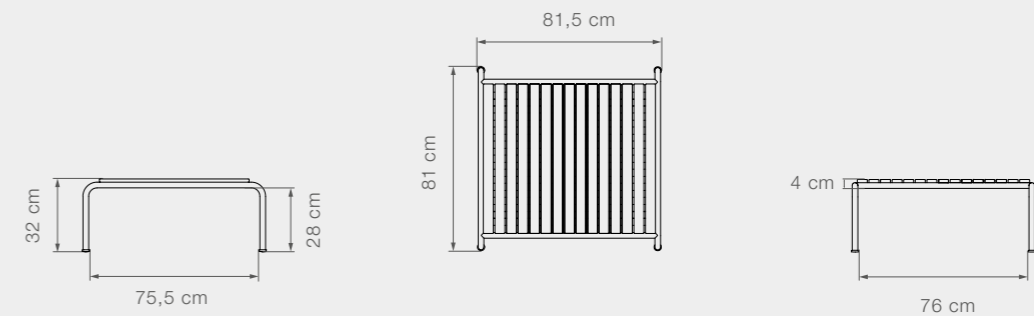
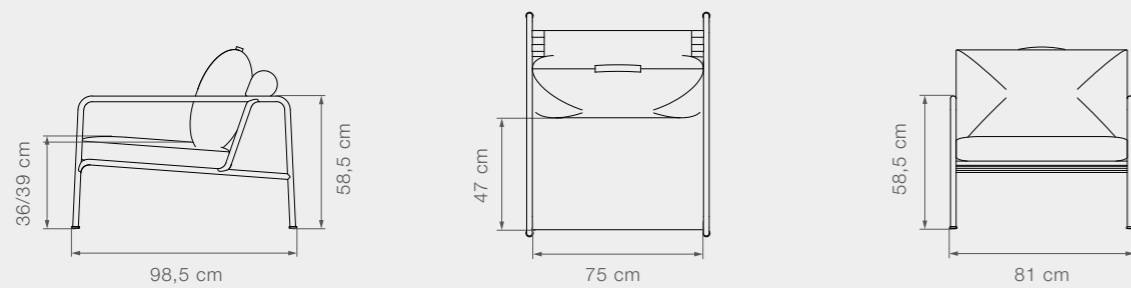


Product weight	32,3 kg // 71,2 lbs	Width	159 cm // 62,6 in	Seat width w. cushion	153 cm // 60,2 in	Armrest height	58,5 cm // 23 in
Tube size	Ø25 mm // 1 in	Depth	98,5 cm // 38,8 in	Seat depth w. cushion	47 cm // 18,5 in	Diameter	186 cm // 73,2 in
Lamella size	3x1 cm // 1,2x0,4 in	Height	58,5 cm // 23 in	Seat height w. cushion	36/39 cm // 14,2/15,4 in		

Product weight	10,4 kg // 22,9 lbs	Width	81,5 cm // 32,1 in	Seat width w. cushion	68 cm // 26,8 in	Diameter	114 cm // 44,7 in
Tube size	Ø25 mm // 1 in	Depth	81 cm // 31,9 in	Seat depth w. cushion	77 cm // 30,3 in		
Lamella size	3x1 cm // 1,2x0,4 in	Height	30,5 cm // 12 in	Seat height w. cushion	39 cm // 15,4 in		

14205 AVON Chair

14208 AVON Table



Product weight	18 kg // 39,7 lbs	Width	81 cm // 31,9 in	Seat width w. cushion	75 cm // 29,5 in	Armrest height	58,5 cm // 23 in
Tube size	Ø25 mm // 1 in	Depth	98,5 cm // 38,8 in	Seat depth w. cushion	47 cm // 18,5 in	Diameter	127 cm // 50 in
Lamella size	3x1 cm // 1,2x0,4 in	Height	58,5 cm // 23 in	Seat height w. cushion	36/39 cm // 14,2/15,4 in		

Product weight	14,6 kg // 32,2 lbs	Width	81,5 cm // 32,1 in	Height under TT*	28 cm // 11 in	Space legs front	76 cm // 29,9 in
Tube size	Ø25 mm // 1 in	Depth	81 cm // 31,9 in	TT* thickness	4 cm // 1,6 in	Diameter	114 cm // 44,7 in
Lamella size	3x1 cm // 1,2x0,4 in	Height	32 cm // 12,6 in	Space legs side	75,5 cm // 29,7 in		

136

DESCRIPTION

AVON

LOUNGE SPECIFICATIONS

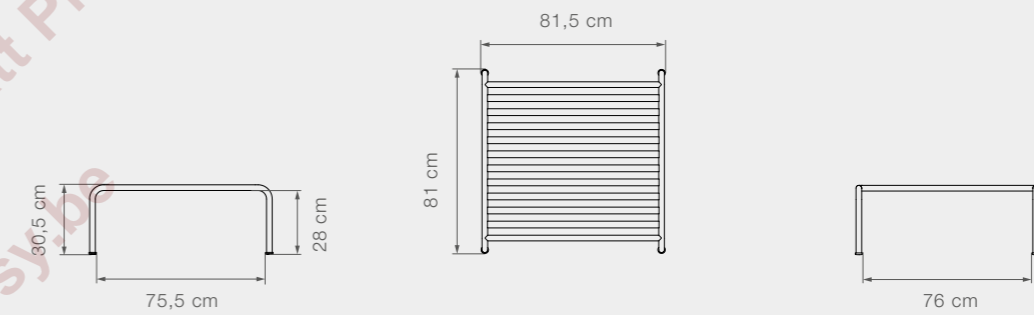
Powder coated muted white or black steel frame

Maintenance: Repair lacquer

*TT = TableTop



14208 AVON Base



Product weight	8,2 kg // 18,1 lbs	Width	81,5 cm // 32,1 in	Height under TT*	28 cm // 11 in	Diameter	114 cm // 44,9 in
Tube size	Ø25 mm // 1 in	Depth	81 cm // 31,9 in	Space legs side	75,5 cm // 29,7 in		
Lamella size	3x1 cm // 1,2x0,4 in	Height	30,5 cm // 12 in	Space legs front	76 cm // 29,9 in		

138

MOLO

OUTDOOR LOUNGE

A sunbed with soft rounded bamboo lamellas and a leg-construction in powder coated black steel.

The back of the MOLO Sunbed is adjustable with five different positions, which makes it possible to either lay down or sit – it is versatile and can be used as a daybed too.

MOLO Wheel set is an optional addition to MOLO, providing the convenience to move the sunbed around with ease.

Designed by Henrik Pedersen



2 year warranty

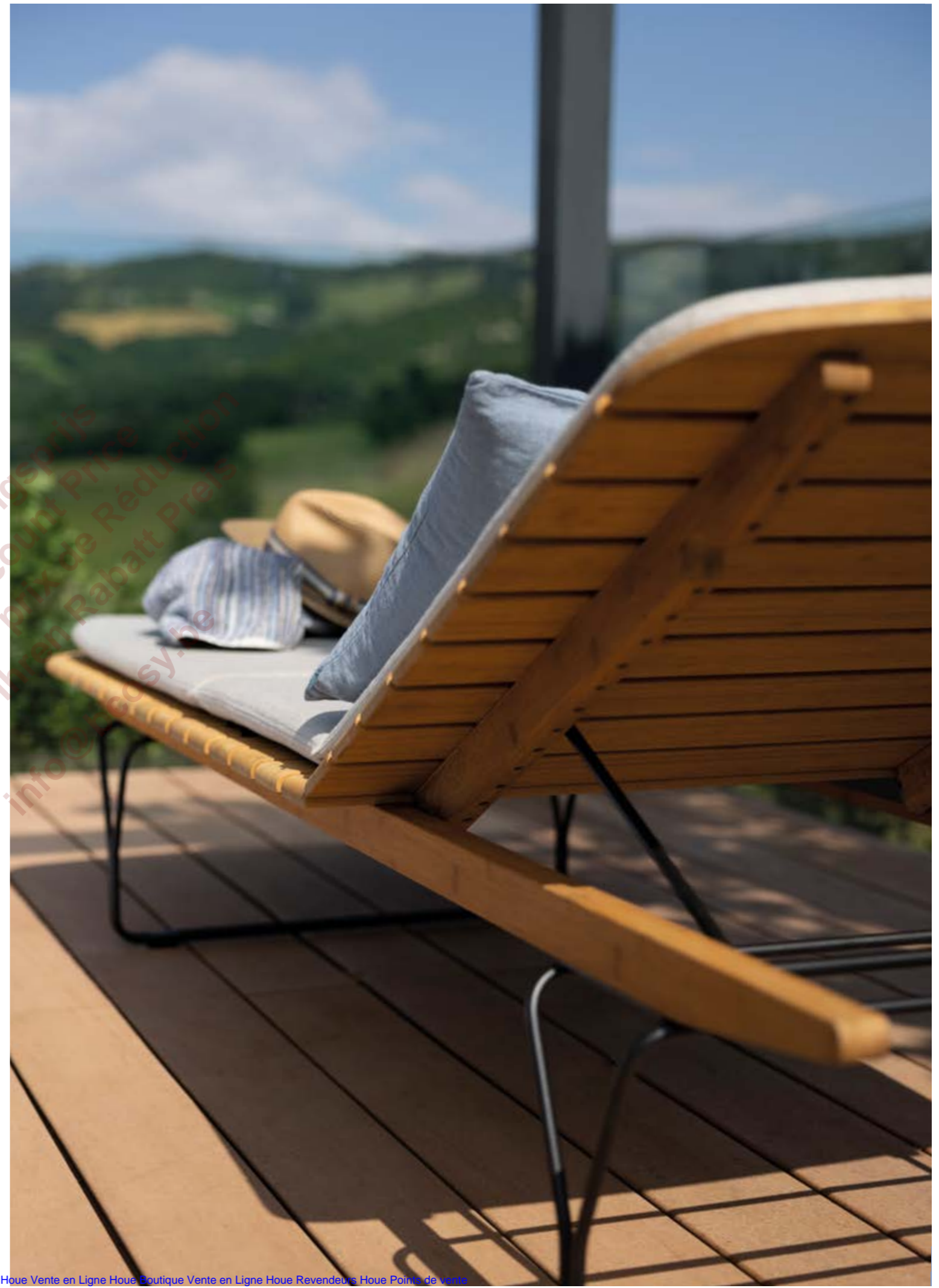


uv protected



weather resistant

HOUE



140

DESCRIPTION

MOLO

LOUNGE SPECIFICATIONS

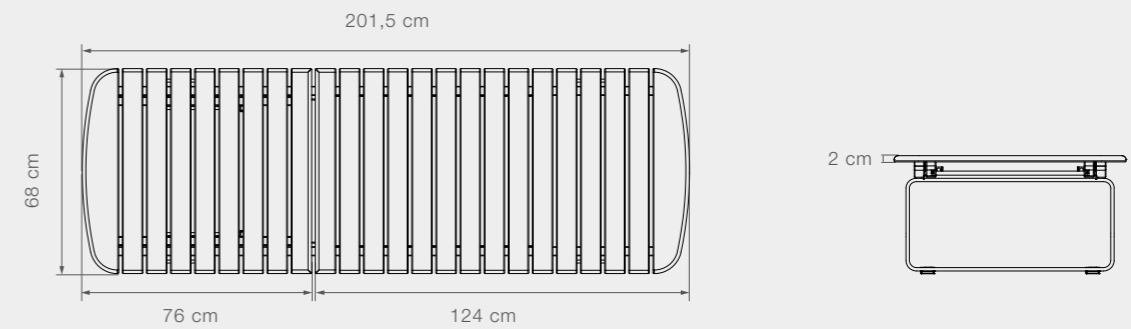
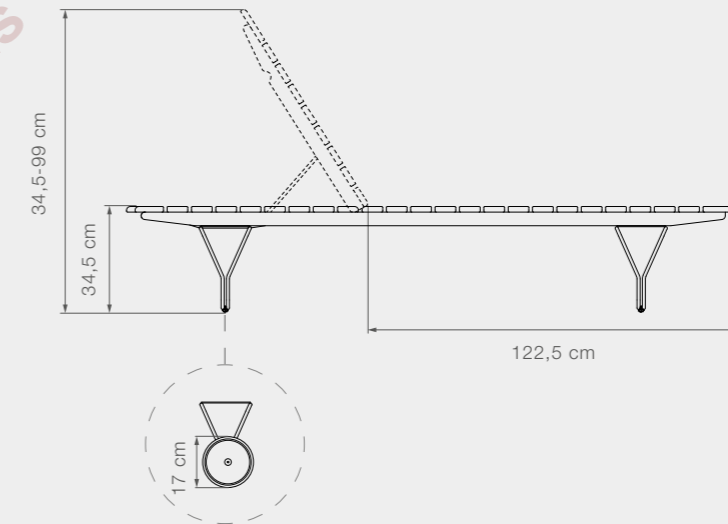
Sunbed with bamboo lamellas and 5 positions
 Powder coated black steel leg-construction
 Wheel: Powder coated black aluminum, silicone

Sunbrella Heritage fabric contains 50% recycled Sunbrella acrylic, 47% Sunbrella acrylic and 3% polyester.

Maintenance: Oil / Repair lacquer



13101 MOLO Sunbed + 13131 MOLO Wheel



Product weight	26 kg // 57,3 lbs	Width	68 cm // 26,8 in	Seat depth	122,5-124 cm // 48,2-48,8 in	Slats thickness	2 cm // 0,8 in
Wheel weight	1,1 kg // 2,4 lbs	Length	201,5 cm // 79,3 in	Backrest length	76 cm // 29,9 in	Diameter	203 cm // 79,9 in
Tube size	Ø10 mm // 0,4 in	Height	34,5 cm // 13,6 in	Backrest height	34,5-99 cm // 13,6-39 in	Positions	5
Slats used	24 pcs	Wheel	Ø17 cm // Ø6,7 in				



144

MATERIALS & MAINTENANCE

OUTDOOR

FABRICS

Our SUNBRELLA fabrics are OEKO-TEX® and GREEN-GUARD certified, water repellent, stain resistant and easy to maintain.

SUNBRELLA HERITAGE

The Heritage fabrics are made of 50% recycled acrylic, 47% acrylic and 3% polyester. Colorful fibres from the recycling process of the material may appear in the weave and the fabric color can vary slightly from one batch to another. This creates a unique fabric with a natural look.

SUNBRELLA NATTÉ

The Natté fabric is made of 100% acrylic.

BASIC FABRIC

The Basic fabric is water repellent and stain resistant and made of 100% polyester.

PLASTIC

POLYPROPYLENE (PP)

PP is a hard recyclable plastic material. It is low maintenance and durable as UV additives are added to protect the material from sunlight and keep the colors vibrant.

HOUSEHOLD PLASTIC WASTE (MyWaste)

MyWaste is our term for the recycled plastic that we use to create our collections; ReCLIPS and NAMI series. This plastic is sourced from Danish household waste and repurposed into Danish design products.

By using recycled plastic, we can reduce our reliance on virgin materials and still produce high-quality products with the same properties as new plastic in terms of performance and durability.

The recycled base-material varies in color from batch to batch, which may result in minor color variations.

METAL

STEEL

Steel parts are powder coated with two layers; a primer and a top layer that is UV resistant and suitable for outdoor use. The surface treatment prevents rust, but if damaged rust will develop. Therefore, we recommend that scratches exposing the metal are repaired with repair lacquer.

ALUMINUM

Aluminum parts have one layer of powder coat that is UV resistant and suitable for outdoor use. The surface treatment will prevent corrosion and repairing scratches with repair lacquer is recommended - mainly to keep the appearance of the product.

PINE

For centuries, pine wood has been a cornerstone of outdoor craftsmanship, trusted for its ability to withstand natural environment.

Our specially selected wood is sourced from sustainably managed European forests (FSC® – FSC C153404) and are oiled to preserve your furniture from moisture and effects of outdoor exposure.

Over time pine wood will get a deeper and intense color. For the best care we recommend to regularly apply oil to create a protective layer against the natural environment. Storing the furniture indoors during winter prevents damage from freezing temperatures and moist.

THERMO ASH

Our thermo ash is sourced from sustainably managed European forests (FSC® – FSC C153404) and is thermally treated at a temperature of 215°C without any addition of chemical substances. This treatment turns the color of the wood into a warm brown color and ensures an impressive durability.

Over time wind and weather will give the thermo ash a grey patina. To keep or to regain the brown color, just sand the surface and treat it with an oil suitable for outdoor furniture. We recommend treating the thermo ash with oil on a regular basis.

BAMBOO

Bamboo is a type of grass that grows from its roots and when harvested it quickly grows back without the need for watering or use of pesticides.

For outdoor furniture it is a material that needs to be taken care of in order to maintain a rich and beautiful surface. The material has a hard surface but since it does not contain oil naturally, it becomes porous if left to dry out. We recommend treating the bamboo with oil specifically for outdoor furniture on a regular basis to help protect it from the elements.

In general, other conditions apply to all materials exposed to extreme climates. Please refer to our maintenance guides for detailed information.



HOUE OIL, BAMBOO 90-0100

Type Oil, 250 ml, for maintenance of bamboo for outdoor furniture

Oil for maintenance

RRP in EUR · €25

RRP ex VAT · €21



HOUE OIL, NATURAL 90-0101

Type Oil, 250 ml, for maintenance of thermo ash and pine for outdoor furniture

Oil for maintenance

RRP in EUR · €25

RRP ex VAT · €21



HOUE REPAIR LACQUER 90-00XX

Type Repair lacquer, 10 ml, for maintenance of steel and aluminum
Color See houe.com/spareparts

Repair lacquer for maintenance

RRP in EUR · €15

RRP ex VAT · €12,50



HOUE

HERITAGE COLOR CODES



EASY
CARE



WATER
REPELLANT



BREATHABLE
COMFORT

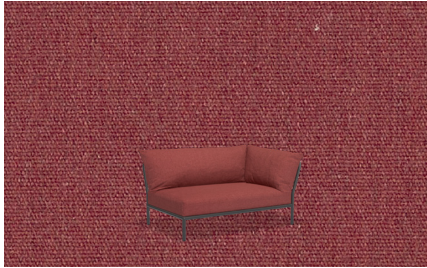


MOLD/MILDEW
RESISTANT



UV/FADE
RESISTANT

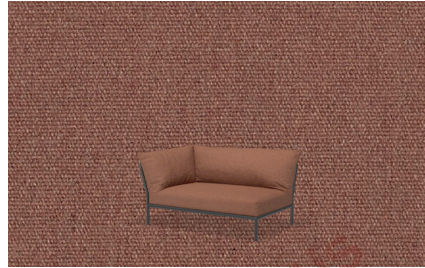
HERITAGE SPECIAL



SCARLET

HOUE: 16

Sunbrella: SJA 18022 00 137



RUST

HOUE: 17

Sunbrella: SJA 18021 00 137



DIJON

HOUE: 31

Sunbrella: SJA 18023 00 137



LEAF

HOUE: 42

Sunbrella: SJA 18011 00 137



MOSS

HOUE: 47

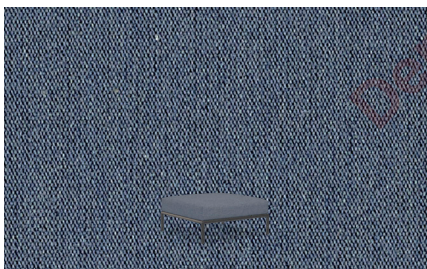
Sunbrella: SJA 18012 00 137



INDIGO

HOUE: 53

Sunbrella: SJA 18017 00 137



SKY

HOUE: 58

Sunbrella: SJA 18016 00 137



SLATE

HOUE: 64

Sunbrella: SJA 18015 00 137



PAPYRUS

HOUE: 95

Sunbrella: SJA 18006 00 137

HERITAGE STANDARD – Available in stock



ALPINE

HOUE: 44

Sunbrella: SJA 18018 00 137



CHAR

HOUE: 68

Sunbrella: SJA 18009 00 137



ASH

HOUE: 92

Sunbrella: SJA 18001 00 137